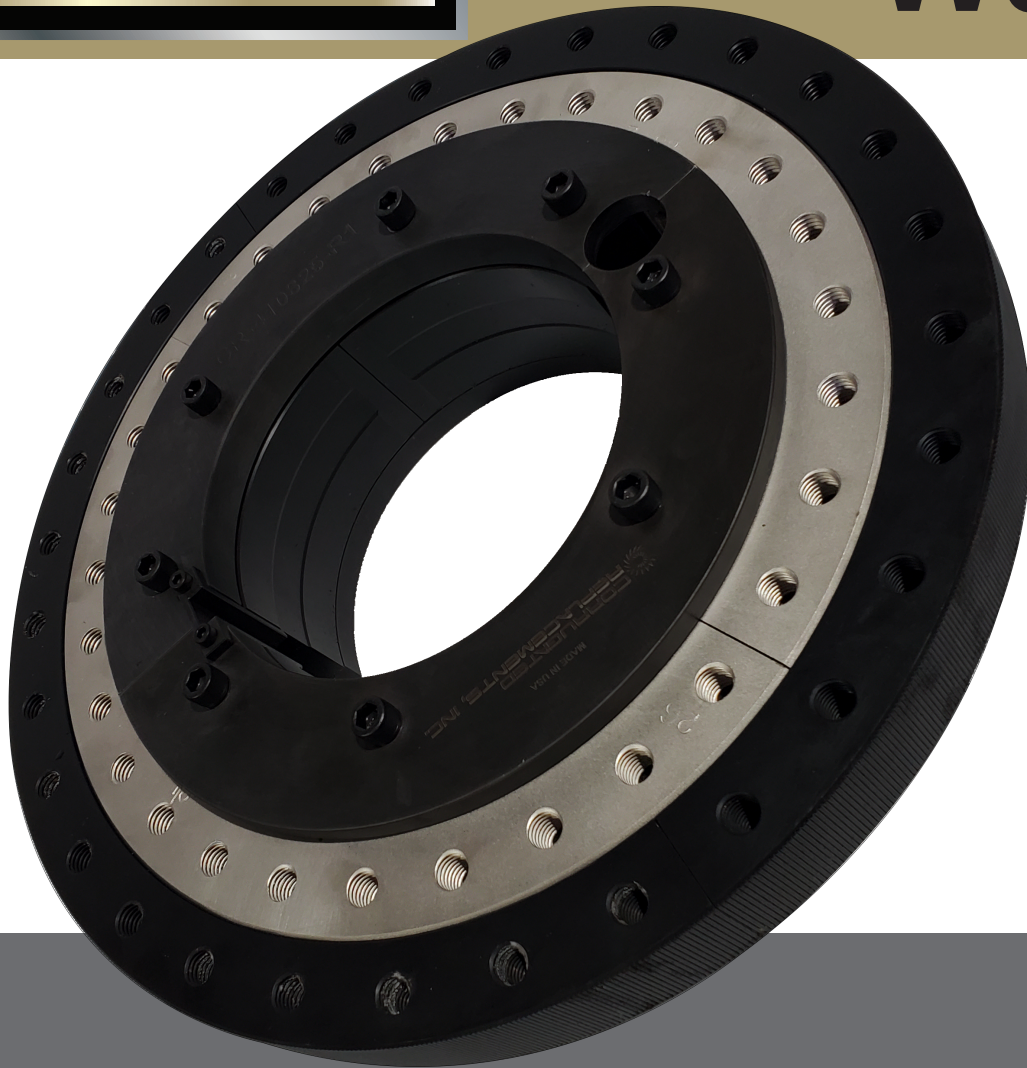




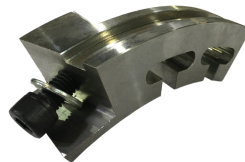
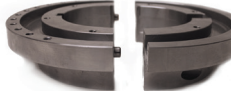
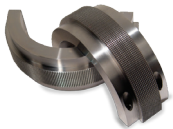
**CORRUGATED
REPLACEMENTS, INC.**
PRECISION PARTS. PRECISION MANUFACTURING.

Ward



REPLACEMENT PARTS

2021



161 Lee Industrial Dr.
Blairsville, GA 30512



p: 800.969.0881
f: 706.781.6649



corrugatedparts.com



sales@corrugatedparts.com

TABLE OF CONTENTS

ABOUT.....	1
WARD 37 1/2" 11000 SPLIT HEADS.....	2
WARD 37 1/2" 11500 SPLIT HEADS.....	3
WARD 50" 12000 NC SPLIT HEADS.....	6
WARD 66" 15000 & 16000 NC SPLIT HEADS.....	14
WARD 75" 19000 SPLIT HEADS.....	23
URETHANE SCORE COVERS.....	24
WARD STRIPPERS.....	25
OTHER PARTS.....	26
WARD DOVETAIL ASSEMBLY.....	31
REBUILD.....	BACK COVER

Please Note: Direct Replacement Parts



**CORRUGATED
REPLACEMENTS, INC.**



FIRST STOP PARTS SHOP FOR WARD

- **Make us your first stop your only stop for replacement Ward parts.**
- **Providing parts to exacting specifications of OEM Ward products.**

SERVICE WORLD WIDE

- **American owned, Globally Served**
- **We offer world wide service with a focus on speed, service and satisfaction.**

24-HOUR EMERGENCY SERVICE

- **When it counts, “We Deliver.”**
- **Today, tomorrow, it doesn’t matter. We get it where you need it, when you need it.**

PIN POINT ACCURACY

- **Its made to extreme degrees of accuracy. It’s what we do, and why customers keep coming back.**

SALES DEPARTMENT

- **If you have questions or need help with a part, please contact our friendly and helpful sales department. They will be glad to assist you in all your corrugated parts needs.**



**CORRUGATED
REPLACEMENTS, INC.**

WARD 37 1/2" 11000 SPLIT HEADS

PART NUMBER	DESCRIPTION
CR-411353-HK	MALE STITCH HEAD
CR-45026-K	STITCH BLOCK TRAILING
CR-45027-K	STITCH BLOCK LEADING
CR-411200-HSK	FEMALE STITCH HEAD
CR-411033-H1K	MALE SLOTTER HEAD (2ND & 3RD)
CR-411036-H1K	MALE SLOTTER HEAD (CENTER)
CR-411034-HSK	FEMALE SLOTTER HEAD (2ND & 3RD)
CR-411037-HSK	FEMALE SLOTTER HEAD (CENTER)
CR-411019-H1K	MALE SCORE HEAD
CR-411022-HK	MALE SCORE HEAD (CENTER)
CR-411020-H1K	FEMALE SCORE HEAD
CR-411023-H1K	FEMALE SCORE HEAD (CENTER)
CR-454896	URETHANE SCORE COVERS (SPECIFY DUROMETER)
CR-411508-HK	TRIM HEAD
CR-411462-H1K	TRIM HEAD



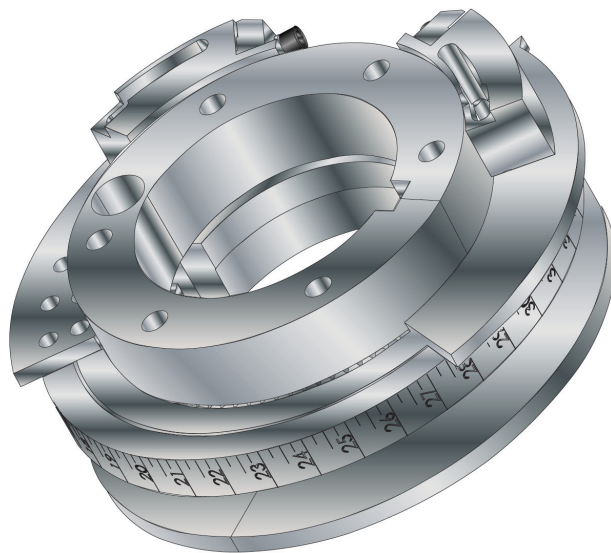
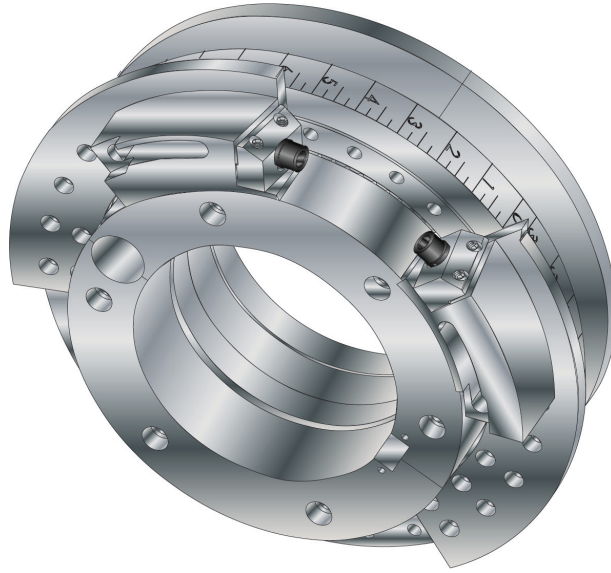
WARD 37 1/2" 11500 SPLIT HEADS

PART NUMBER	DESCRIPTION
CR-411353-HK	MALE STITCH HEAD
CR-45026-K	STITCH BLOCK TRAILING
CR-45027-K	STITCH BLOCK LEADING
CR-411035-HSK	FEMALE STITCH HEAD
CR-411033-H1K	MALE SLOTTER HEAD (2ND & 3RD)
CR-411036-H1K	MALE SLOTTER HEAD (CENTER)
CR-411034-HSK	FEMALE SLOTTER HEAD (2ND & 3RD)
CR-411037-HSK	FEMALE SLOTTER HEAD (CENTER)
CR-411019-H1K	MALE SCORE HEAD
CR-411022-HSK	MALE SCORE HEAD (CENTER)
CR-411020-H1K	FEMALE SCORE HEAD
CR-411023-H1K	FEMALE SCORE HEAD (CENTER)
CR-411508-HK	LOWER TRIM HEAD
CR-411462-H1K	UPPER TRIM HEAD
CR-5915-PR	CRUSH COLLAR
CR-450027-K	BALL SCREW ASSEMBLY
CR-45046	CARBON BUTTON
CR-450195	KEY
CR-45928	BLANKING PLATE VACUUM
CR-450280	STEEL ANVIL
CR-45496-K	SPLINE SHAFT

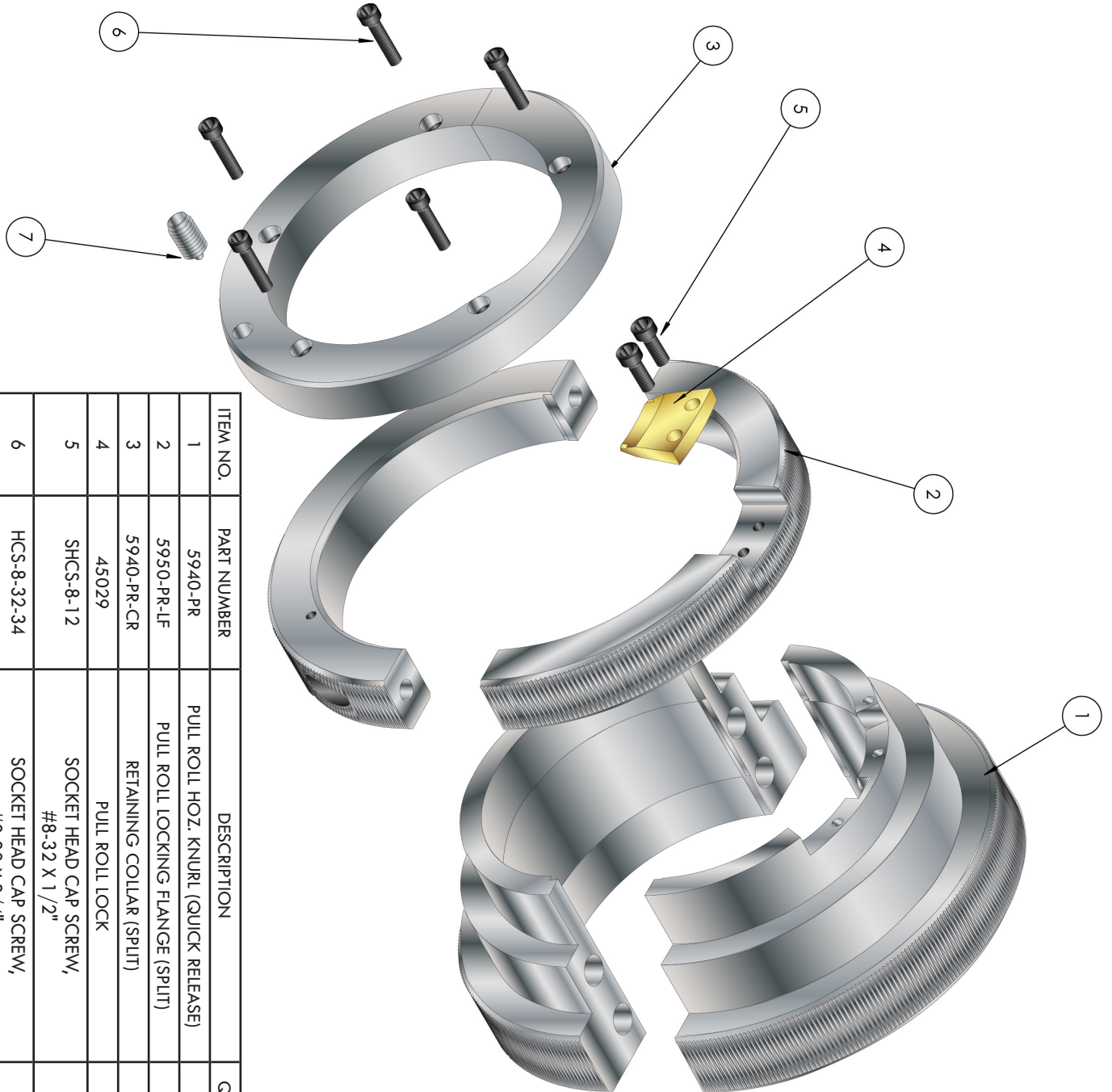
Please Note: Direct Replacement Parts



STITCH HEAD ASSEMBLY 37 1/2" WARD CR-411252-HK



QUICK RELEASE PULL ROLL 37 1/2" & 50" WARD CR-5940-PRQK



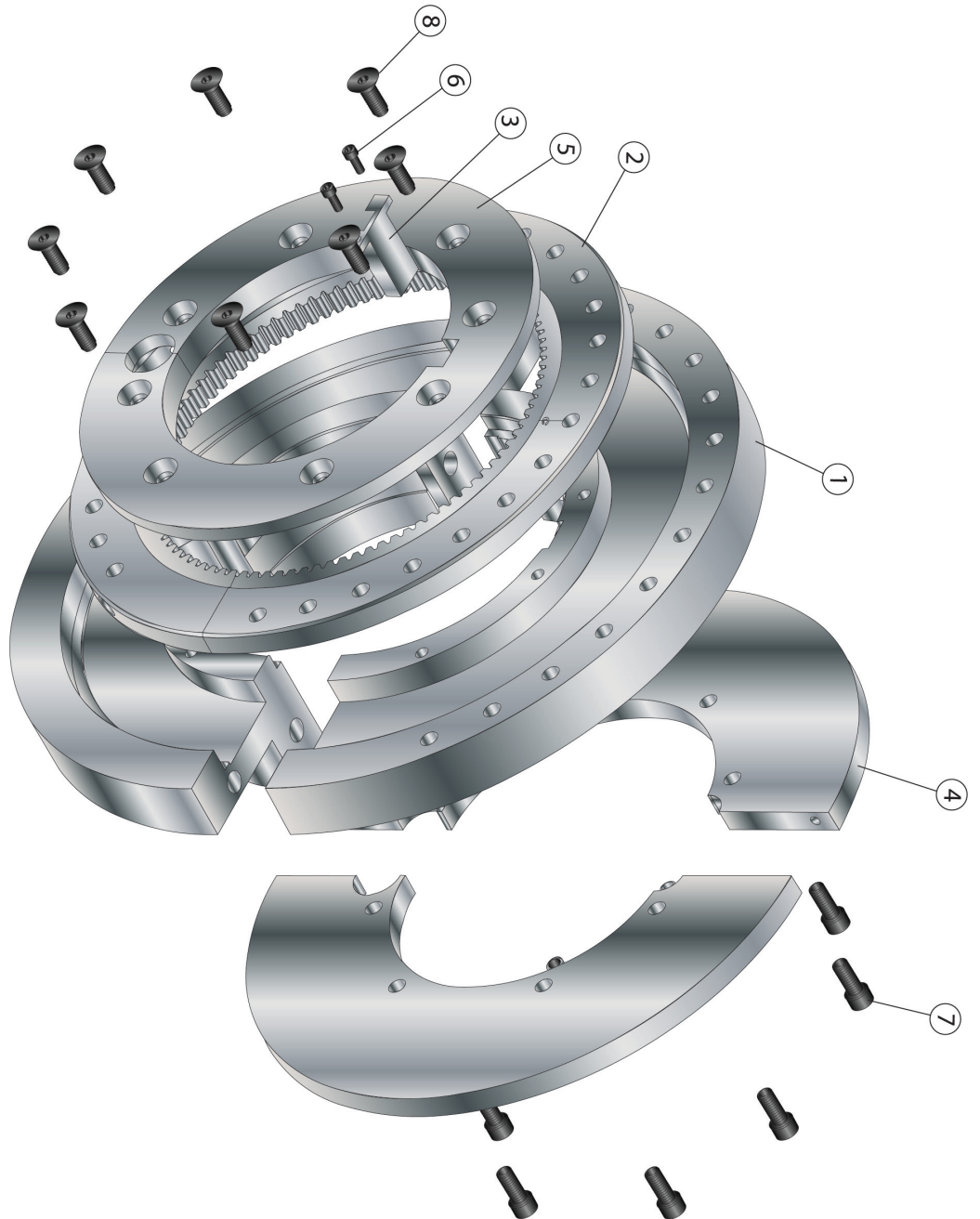
ITEM NO.	PART NUMBER	DESCRIPTION	QTY.
1	5940-PR	PULL ROLL HOZ. KNURL (QUICK RELEASE)	1
2	5950-PR-LF	PULL ROLL LOCKING FLANGE (SPLIT)	1
3	5940-PR-CR	RETAINING COLLAR (SPLIT)	1
4	45029	PULL ROLL LOCK	1
5	SHCS-8-12	SOCKET HEAD CAP SCREW, #8-32 X 1/2"	2
6	HCS-8-32-34	SOCKET HEAD CAP SCREW, #8-32 X 3/4"	5
7	3126A55	SPRING PLUNGER	1

WARD 50" 12000 NC SPLIT HEADS

PART NUMBER	DESCRIPTION
CR-411183-HK	MALE STITCH HEAD
CR-45594-TK	STITCH BLOCK TRAILING
CR-45594-LK	STITCH BLOCK LEADING
CR-411160-HK	FEMALE STITCH HEAD
CR-410825-HK	MALE SLOTTER HEAD (2ND & 3RD)
CR-411184-HK	MALE SLOTTER HEAD (CENTER)
CR-411161-HK	FEMALE SLOTTER HEAD
CR-411162-HK	FEMALE SLOTTER HEAD (CENTER)
CR-45508	URETHANE SCORE COVER (SPECIFY DUROMETER)
CR-411410-HK	MALE SCORE HEAD (1ST, 2ND, & 3RD)
CR-411411-HK	MALE SCORE HEAD (CENTER)
CR-411483-HSK	FEMALE SCORE HEAD
CR-411320-H1K	FEMALE SCORE HEAD (CENTER)
CR-411887-HK	UPPER TRIM HEAD
CR-411238-HK	LOWER TRIM HEAD
5512-PR	CRUSH COLLAR
CR-45909-K	BALL SCREW ASSEMBLY
CR-45377	CARBON BUTTON
CR-450033	STEEL ANVIL
CR-45836	PENTON SHAFT

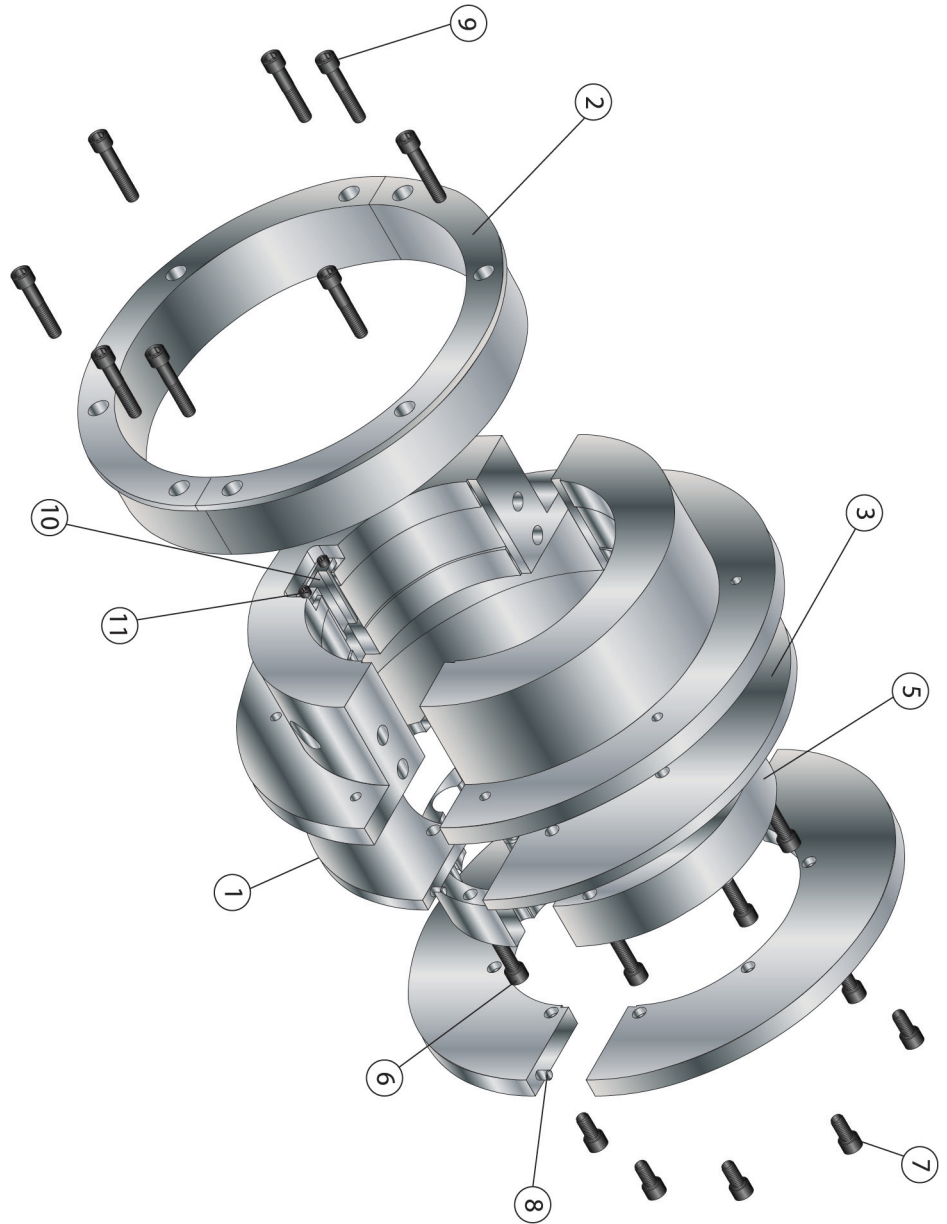
MALE SLOTTER HEAD 50" WARD CR-410825-HK

ITEM NO.	PART NUMBER	DESCRIPTION	QTY.
1	CR-410825-H	MALE SLOTTER HEAD (2ND/3RD HEADS)	1
2	CR-45167-S	INTERNAL GEAR, SLOTTER HEAD (95T)	1
3	CR-45455	REPLACEABLE KEYWAY INSERT	1
4	CR-410825-R	WEAR PLATE	1
5	CR-40825-R1	HUB, STITCH HEAD	1
6	SHCS-38-12	#10-32X 1/2LG. SHCS	2
7	SHCS-38-78	3/8-16 X 7/8LG SHCS	8
8	FHCS-38-1	3/8-16 X 1" LG. FHCS	8



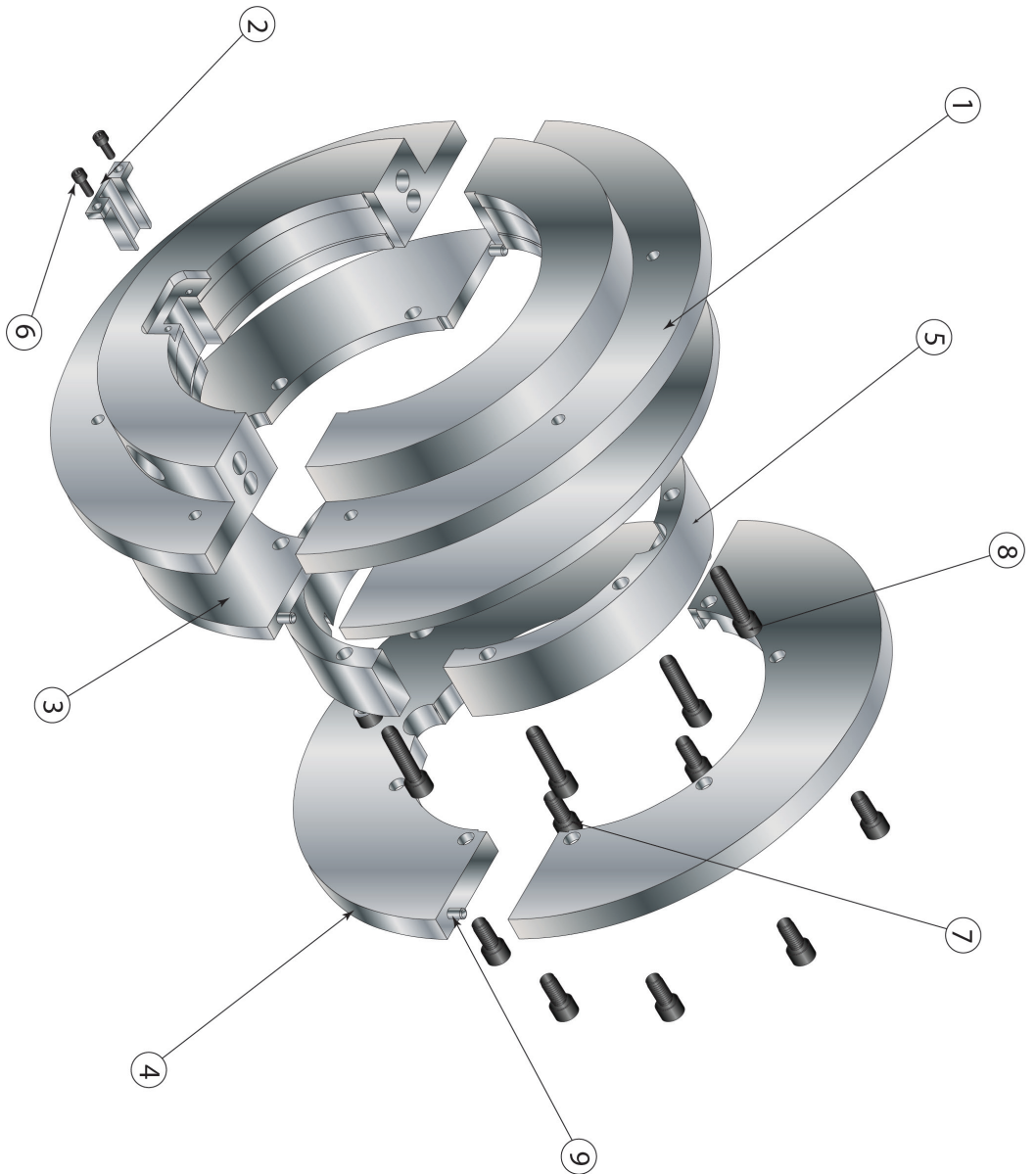
FEMALE STITCH HEAD 50" WARD CR-411160-HK

ITEM NO.	PART NUMBER	DESCRIPTION	QTY.
1	CR-411160-H	FEMALE STITCH HEAD	1
2	CR-410712-R	RETAINING RING, ANVIL COVER	1
3	CR-411160-R4	WEAR PLATE	1
4	CR-411160-R5	WEAR PLATE	1
5	CR-411160-R6	SPACER, WEAR PLATE	1
6	SHCS-38-112	3/8-16UNC X 1 1/2 LG SHCS	8
7	SHCS-38-34	3/8-16 X 3/4LG SHCS	8
8	DL-14-34	Ø1/4 X 3/4LG DOWEL PIN	4
9	SHCS-38-2	3/8-16 X 2" LG SHCS	8
10	CR-45455	REPLACEABLE KEYWAY INSERT	1
11	SHC-10-32-58	#10-32 X 5/8LG. SHCS	2



FEMALE SLOTTER HEAD (KIT) 50" WARD CR-411161-HK

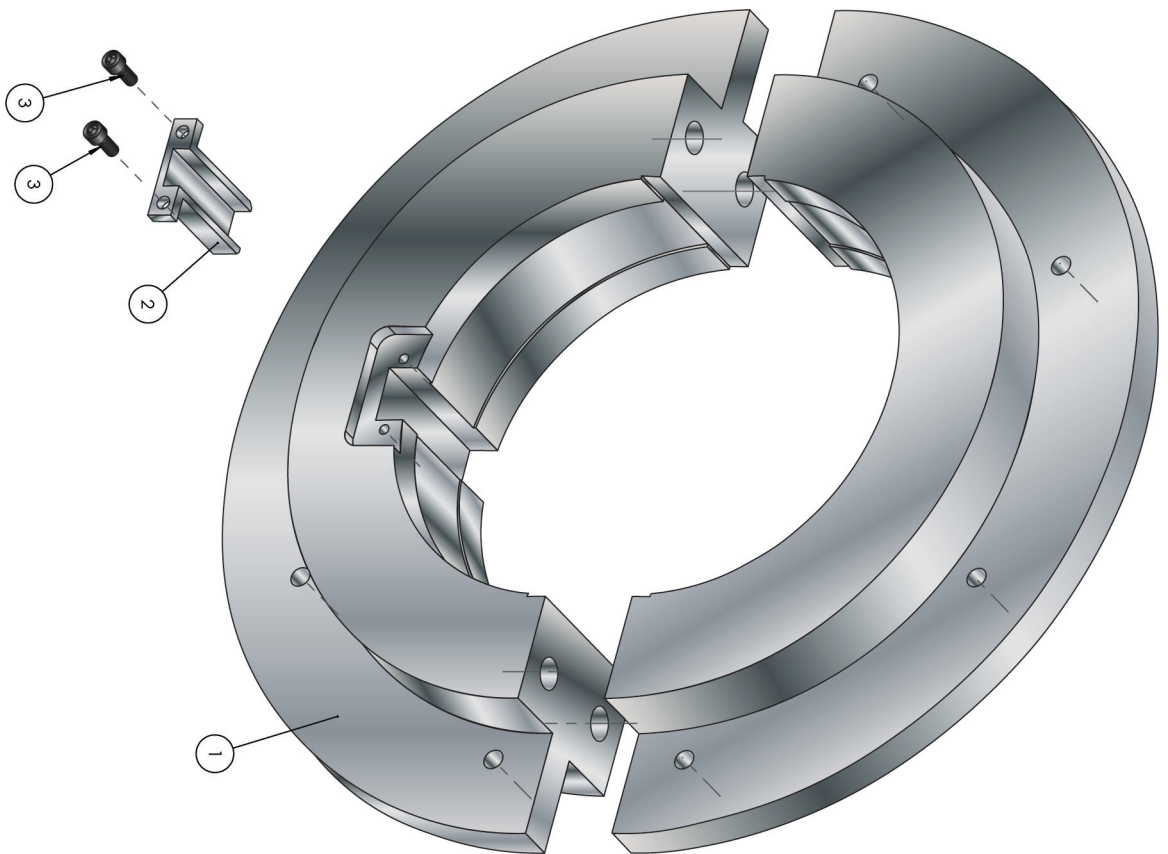
ITEM NO.	PART NUMBER	DESCRIPTION	QTY.
1	CR-411161-H	FEMALE SLOTTER HEAD	1
2	CR-411161-T	REPLACEABLE KEYWAY INSERT	1
3	CR-11160-R4	WEAR PLATE	1
4	CR-11160-R5	WEAR PLATE	1
5	CR-411160-R6	SPACER, WEAR PLATE	1
6	SHCS-10-21-12	#10-32 X 1/2LG. SHCS	2
7	SHCS-38-34	3/8-16 X 3/4G. SHCS	8
8	SHCS-38-112	3/8-16 UNC X 1 1/2"LG. SHCS	8
9	DP-14-34	Ø1/4 X 3/4"LG./DOWEL PIN	4



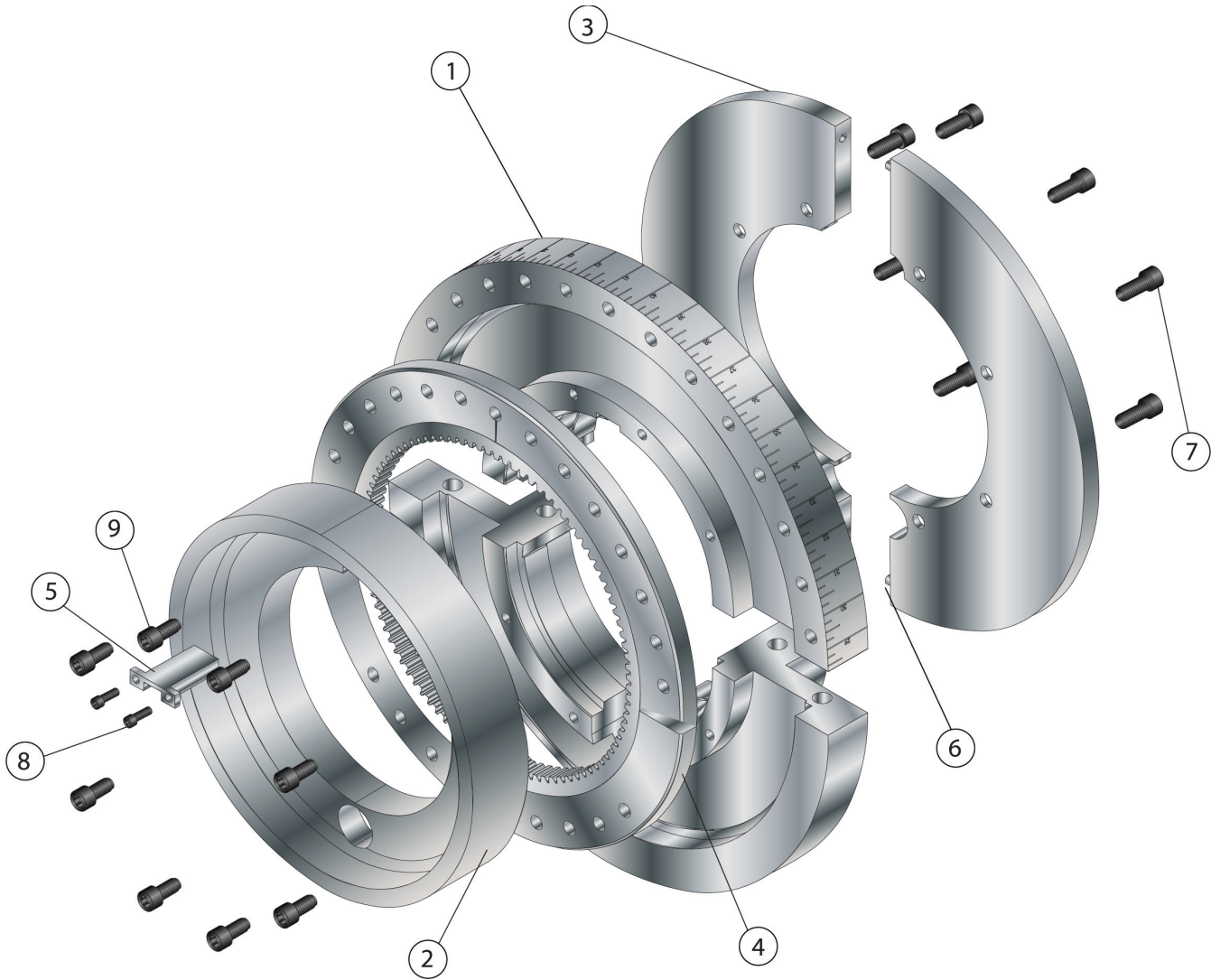
FEMALE SLOTTER HEAD 50" WARD CR-411162-HK



ITEM NO.	PART NUMBER	DESCRIPTION	QTY.
1	411162-H	FEMALE SLOTTER HEAD	1
2	CR-45455	REPLACABLE KEYWAY INSERT	1
3	SHCS-10-32-12	SOCKET HD. CAP SCREW, # 10-32 X 1/2LG.	2



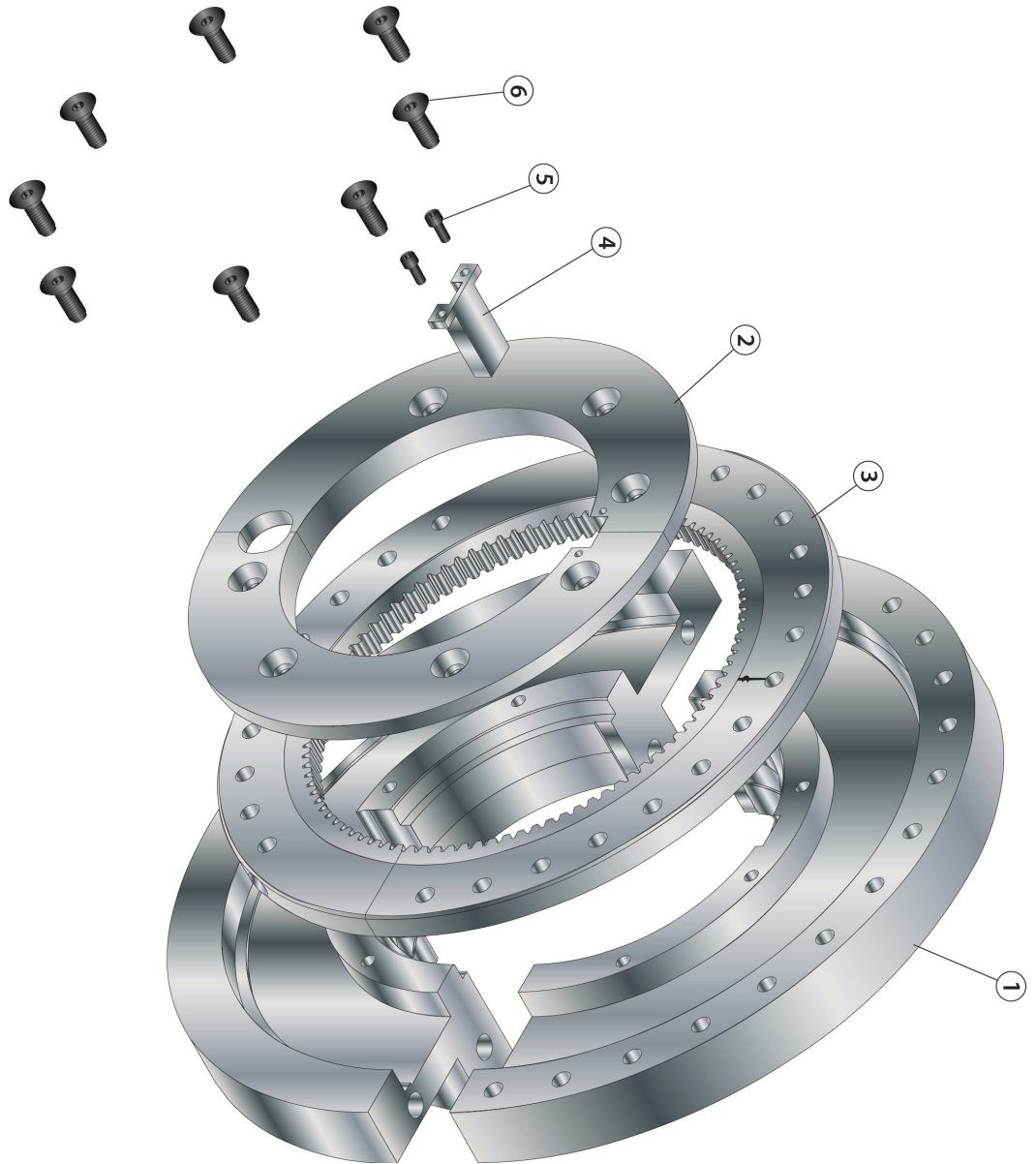
MALE STITCH HEAD 50" WARD (MODEL 12) CR-41183-HK



ITEM NO.	PART NUMBER	DESCRIPTION	QTY.
1	CR-41183-H	MALE STITCH HEAD	1
2	CR-41183-R	HUB, STITCH HEAD	1
3	CR-410825-R	WEAR PLATE	1
4	CR-45167-S	INTERNAL GEAR, SLOTTERHEAD (95T)	1
5	CR-45455	REPLACEABLE KEYWAY INSERT	1
6	DP-14-34	Ø1/4 X 34"LG. DOWEL PIN	2
7	SHCS-38-78	3/8-16X7/8LG. SHCS	8
8	SHCS-10-32-58	#10-32X5/8"LG. SHCS	2
9	SHCS-38-34	3/8-16 X 3/4LG SHCS	8

MALE SLOTTER HEAD 50" WARD (CENTER) CR-411184-HK

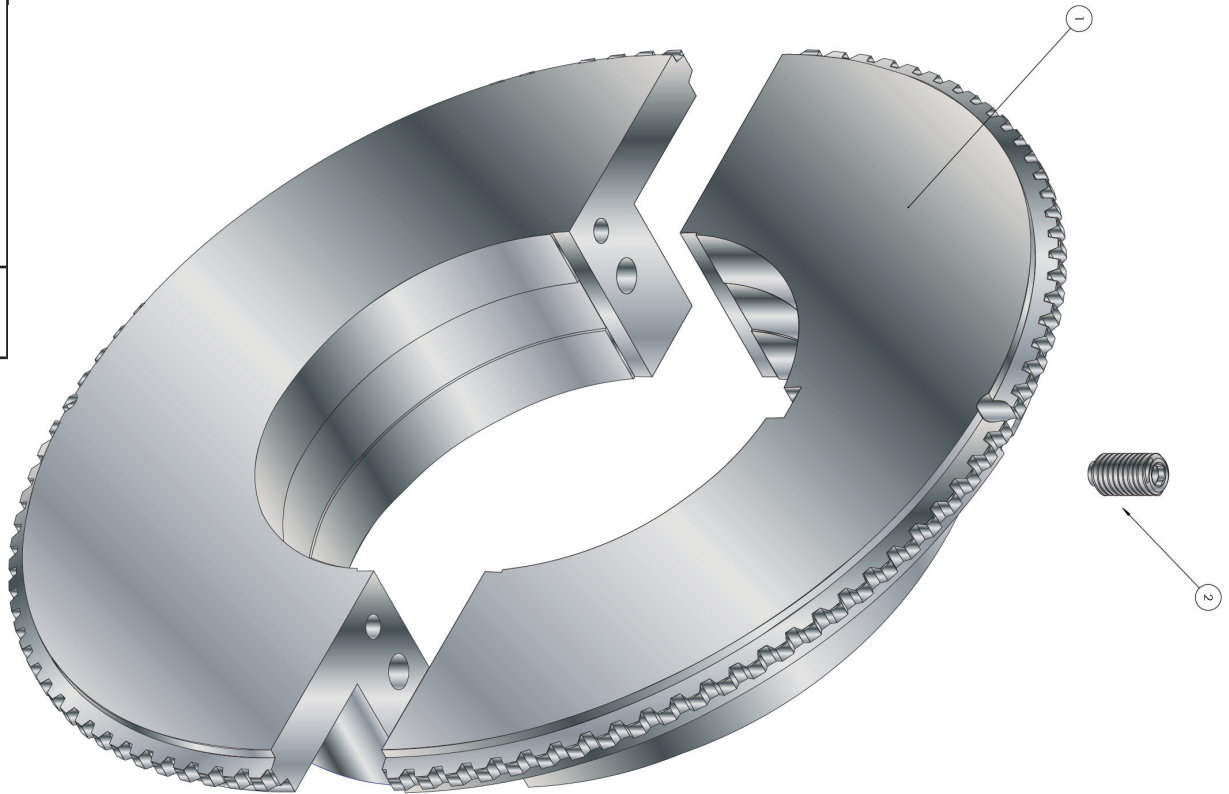
ITEM NO.	PART NUMBER	DESCRIPTION	QTY.
1	CR-411184-HK	MALE SLOTTER HEAD	1
2	CR-410825-R1	HUB, STITCH HEAD	1
3	CR-45167-S	INTERNAL GEAR, SLOTTER HEAD (9.5T)	1
4	CR-45445	REPLACEABLE KEYWAY INSERT	1
5	SHCS-10-32-12	#10-32 X 1/2LG. SHCS	2
6	FHCS-38-1	3/8-16 X 1"LG. FHCS	8



FEMALE SCORE HEAD 50" WARD (KIT) 12000 CR-411320-HK

ITEM NO.	PART NUMBER	DESCRIPTION	QTY.
1	CR-411320-H	FEMALE SCORE HEAD	1
2	BTSS-58-1	5/8-11 X 1" LG. BTSS	1

NOTES:
1. SUPPLY (1) CR-45509 URETHANE COVER (NOT SHOWN)



WARD 66" 15000 & 16000 NC SPLIT HEADS

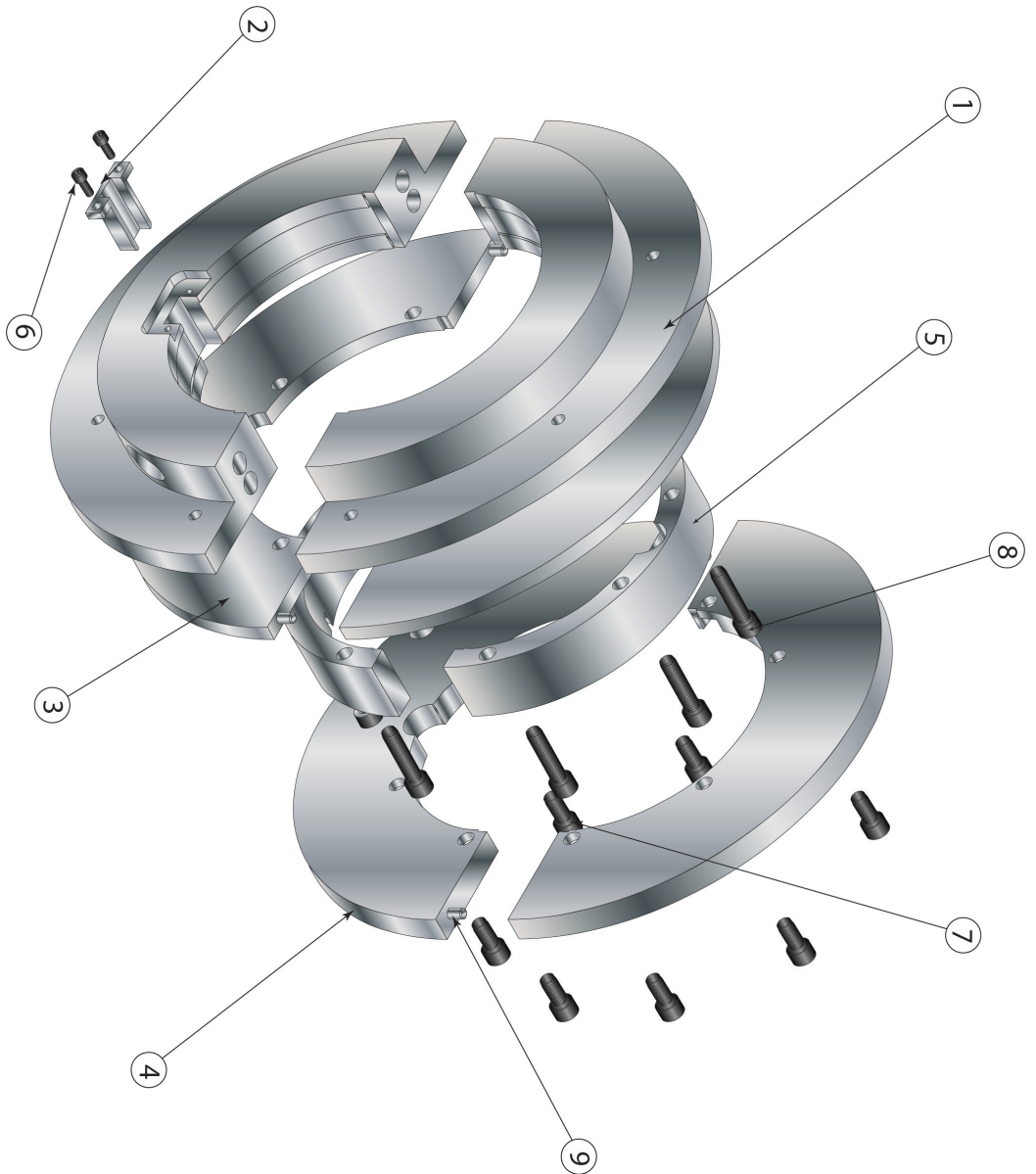
PART NUMBER	DESCRIPTION
CR-411222-HK	MALE STITCH HEAD
CR-45785-TK	STITCH BLOCK TRAILING
CR-45785-LK	STITCH BLOCK LEADING
CR-411160-HK	FEMALE STITCH HEAD
CR-411298-HK	MALE SLOTTER HEAD (2ND & 3RD)
CR-411299-HK	MALE SLOTTER HEAD (CENTER)
CR-411161-HK	FEMALE SLOTTER HEAD (1ST, 2ND & 3RD)
CR-411162-HK	FEMALE SLOTTER HEAD (CENTER)
CR-411451-HK	MALE SCORE HEAD (1ST, 2ND & 3RD)
CR-411452-HK	MALE SCORE HEAD (CENTER)
CR-411454-HK	FEMALE SCORE HEAD
CR-411453-HK	FEMALE SCORE HEAD (2ND & 3RD)
CR-45845	URETHANE SCORE COVER (SPECIFY DUROMETER)
CR-411237-HK	TRIM HEAD UPPER
CR-411238-HK	TRIM HEAD LOWER
CR-6058-PR	CRUSH COLLAR
CR-450245-K	BALL SCREW ASSEMBLY
CR-45377	CARBON BUTTON
CR-450033	STEEL ANVIL
CR-45846	PENTON SHAFT



**CORRUGATED
REPLACEMENTS, INC.**

FEMALE SLOTTER HEAD (KIT) 50" WARD CR-411161-HK

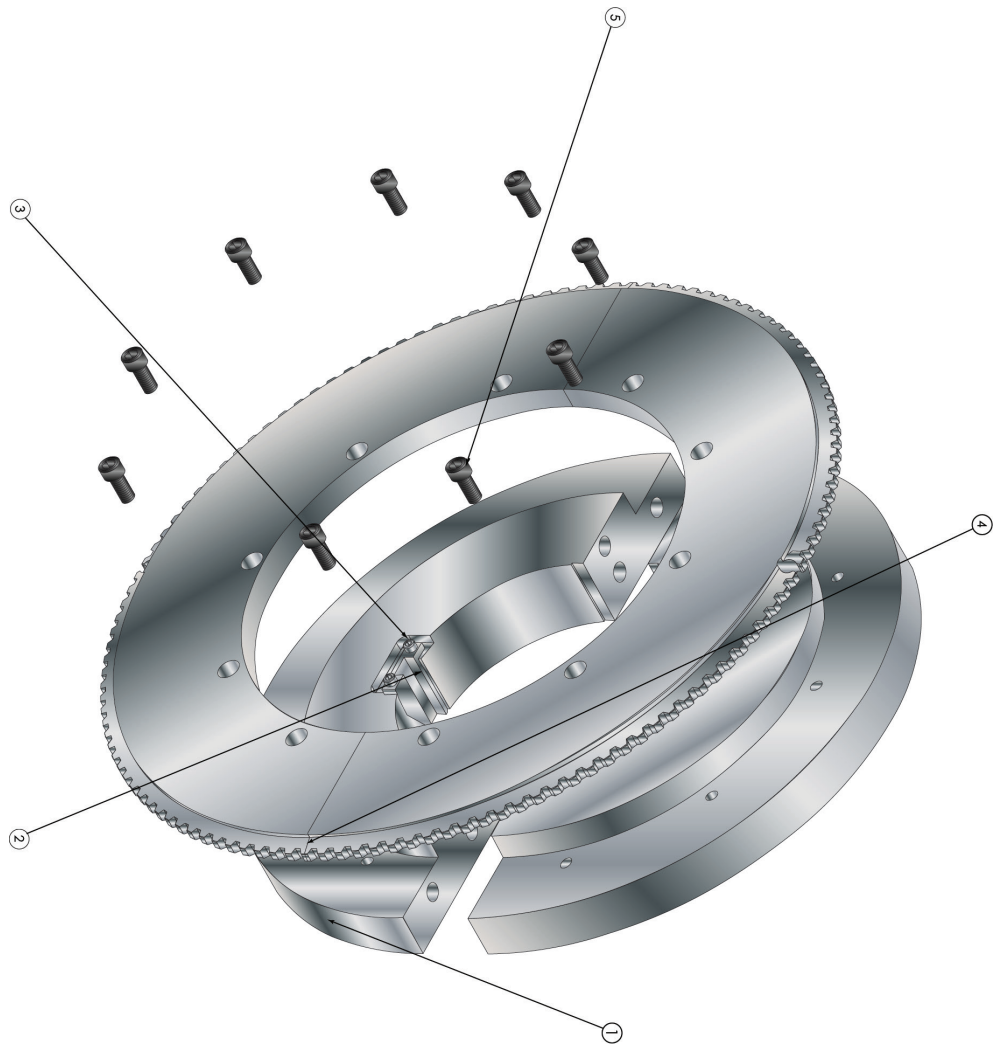
ITEM NO.	PART NUMBER	DESCRIPTION	QTY.
1	CR-411161-H	FEMALE SLOTTER HEAD	1
2	CR-411161-T	REPLACEABLE KEYWAY INSERT	1
3	CR-11160-R4	WEAR PLATE	1
4	CR-11160-R5	WEAR PLATE	1
5	CR-411160-R6	SPACER, WEAR PLATE	1
6	SHCS-10-21-12	#10-32 X 1/2LG. SHCS	2
7	SHCS-38-34	3/8-16 X 3/4G. SHCS	8
8	SHCS-38-112	3/8-16 UNC X 1 1/2"LG. SHCS	8
9	DP-14-34	Ø1/4 X 3/4"LG./DOWEL PIN	4



FEMALE SCORE HEAD (KIT) 66" WARD CR-411454-HK

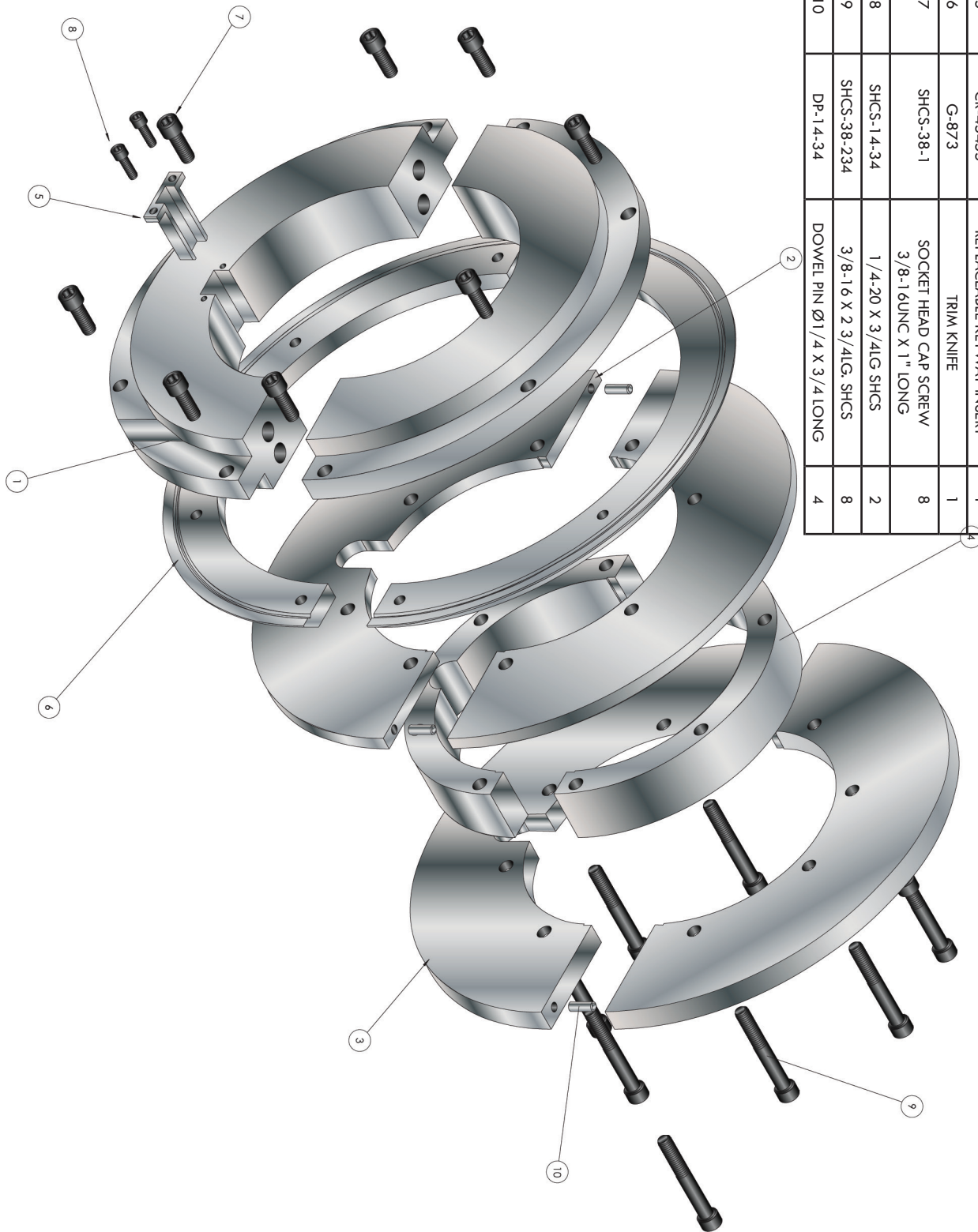
ITEM NO.	PART NUMBER	DESCRIPTION	QTY.
1	CR-411454-H	FEMALE SCORE HEAD (CENTER)	1
2	CR-45455	REPLACEABLE KEYWAY INSERT	1
3	SHCS-10-32-58	#10-32 X 5/8LG. SHCS	2
4	CR-411453-R	FEMALE SCORE RING	1
5	SHCS-38-78	3/8-16 X 7/8LG. SHCS	10

ADDITIONAL COMPONENT (NOT SHOWN)		QTY.
PART NO.	DESCRIPTION	
CR-45845	SCORE COVER	1



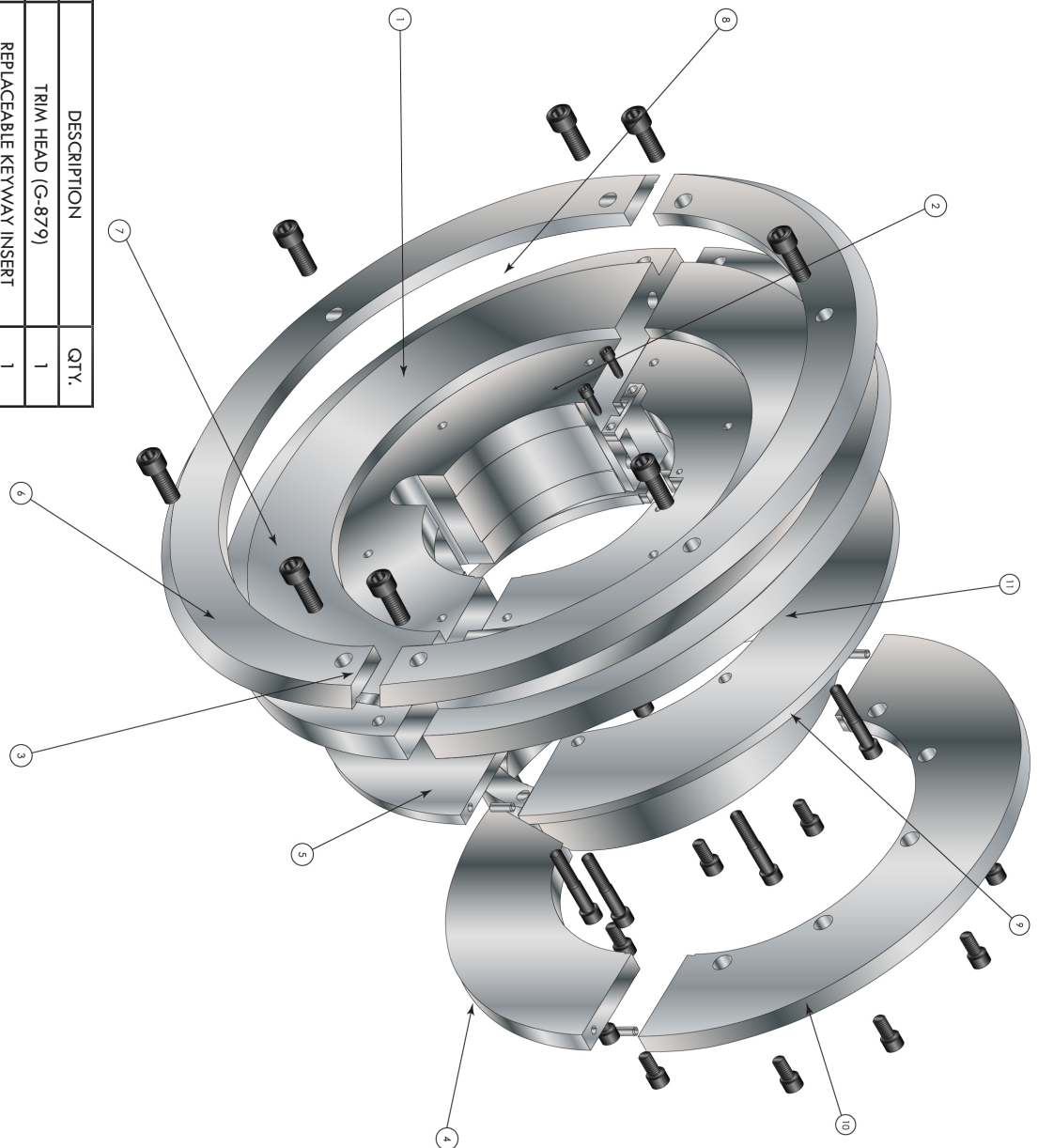
TRIM HEAD ASSEMBLY 66" WARD CR-411238-HK

ITEM NO.	PART NUMBER	DESCRIPTION	QTY.
1	CR-411238-H	TRIM HEAD	1
2	CR-411160-R1	WEAR PLATE	1
3	CR-411160-R2	WEAR PLATE	1
4	CR-411160-R3	SPACER, WEAR PLATE	1
5	CR-45455	REPLACEABLE KEYWAY INSERT	1
6	G-873	TRIM KNIFE	1
7	SHCS-38-1	SOCKET HEAD CAP SCREW 3/8-16UNC X 1" LONG	8
8	SHCS-14-34	1/4-20 X 3/4LG SHCS	2
9	SHCS-38-234	3/8-16 X 2 3/4LG SHCS	8
10	DP-14-34	DOWEL PIN Ø1/4 X 3/4 LONG	4

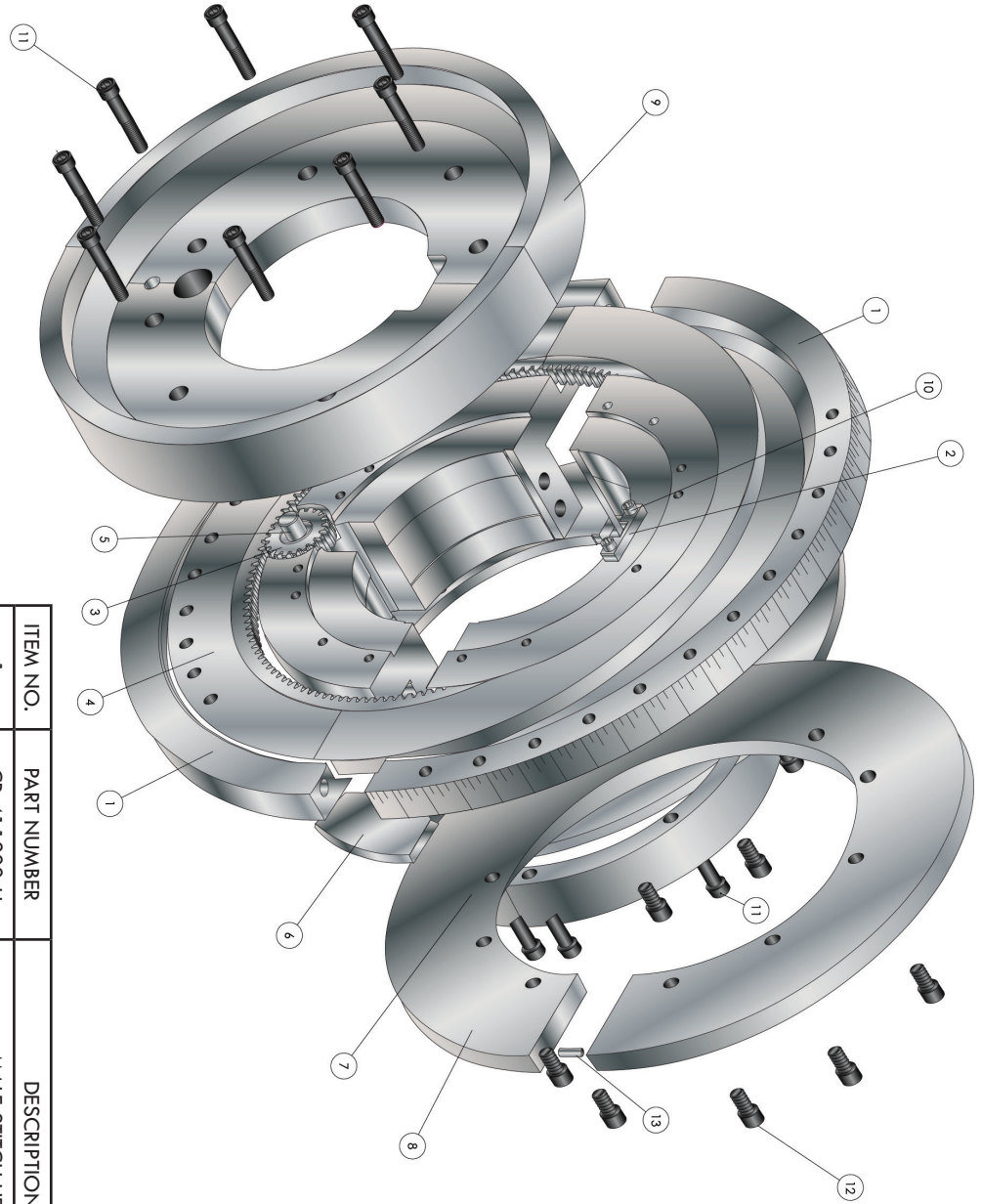


TRIM HEAD (G-879) 66" WARD CR-411237-HK

ITEM NO.	PART NUMBER	DESCRIPTION	QTY.
1	CR-411237-H	TRIM HEAD (G-879)	1
2	CR-411222-T	REPLACEABLE KEYWAY INSERT	1
3	CR-411222-R2	WEAR PLATE	1
4	CR-411222-R4	WEAR PLATE	1
5	CR-411222-R3	SPACER, WEAR PLATE	1
6	G-879	TRIM KNIFE	1
7	SHCS-12-114	1/4-20 X 3/4LG. SHCS	8
8	SHCS-14-34	1/4-20 X 3/4LG. SHCS	2
9	SHCS-38-214	3/8-16 X 2 1/4LG. SHCS	8
10	SHCS-38-34	3/8-16 X 3/4LG. SHCS	10
11	D-14-34	Ø1/4 X 3/4"LG. DOWEL PIN	4



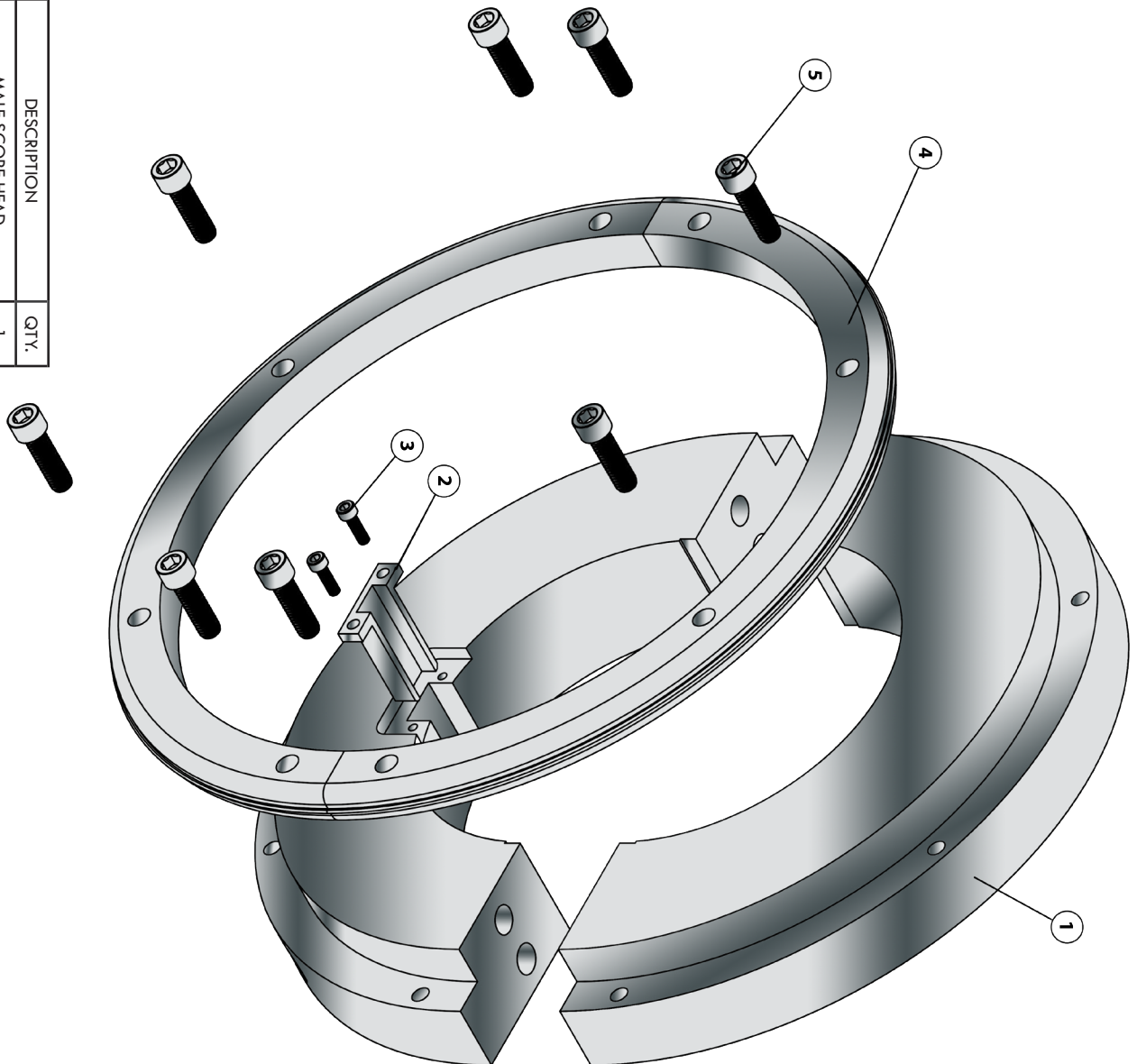
NOTE:
VIEW OF LOWER SCRIBES
1. OMITTED FOR CLARITY.



ITEM NO.	PART NUMBER	DESCRIPTION	QTY.
1	CR-411222-H	MALE STITCH HEAD	1
2	CR-411222-T	REPLACEABLE KEYWAY INSERT	1
3	CR-452240	GEAR. SLOTTER HEAD (19T)	1
4	CR-45532-S	INTERNAL GEAR, SLTR. HD. SPLIT (135T)	1
5	CR-411222-P	PIN, SLOTTER HEAD	1
6	CR-411222-R2	WEAR PLATE	1
7	CR-411222-R3	SPACER, WEAR PLATE	1
8	CR-411222-R4	WEAR PLATE	1
9	CR-411222-R1	RETAINING RING	11
10	SHCS-14-34	1/4-20 X 3/4G. SHCS	2
11	SHCS-38-214	3/8-16 X 2 1/4LG. SHCS	16
12	SHCS-38-34	3/8-16 X 3/4LG. SHCS	10

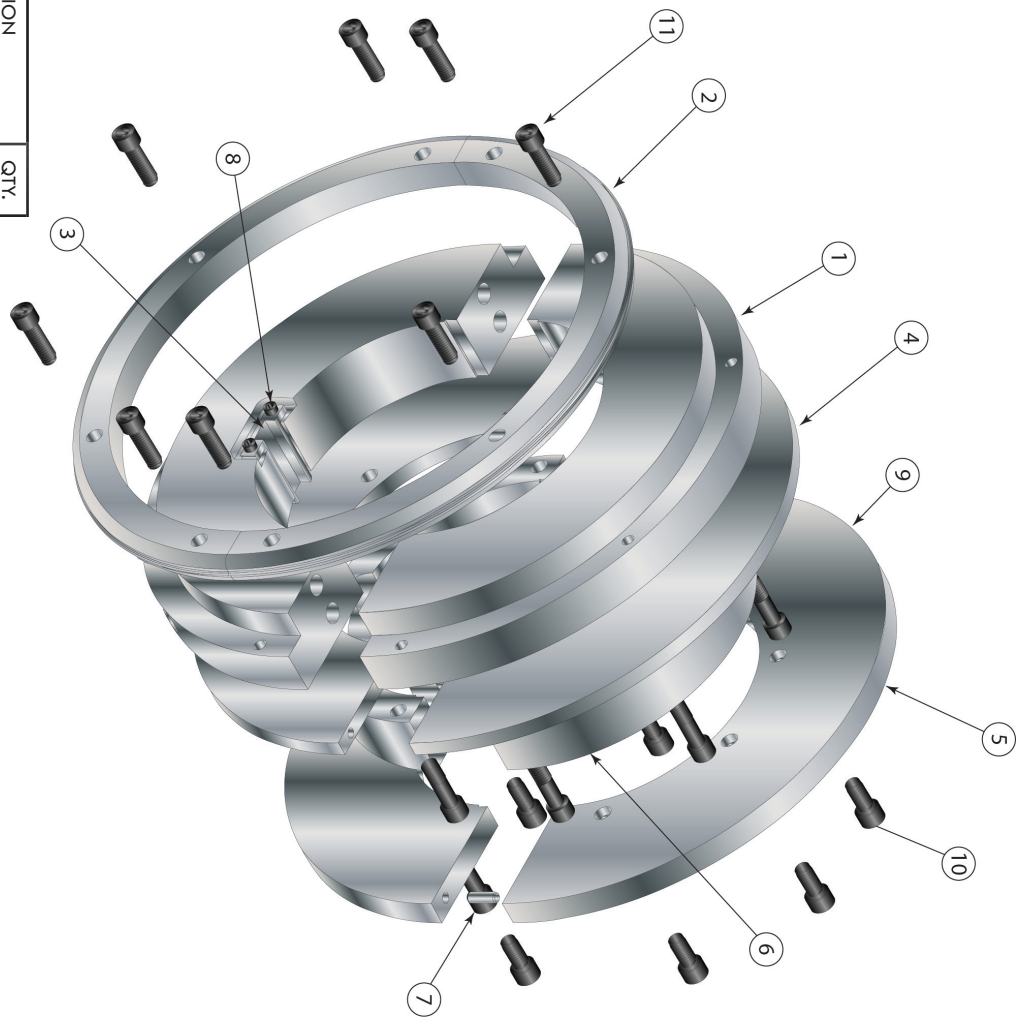
MALE SCORE HEAD (KIT) 66" WARD CR-411452-HK

ITEM NO.	PART NUMBER	DESCRIPTION	QTY.
1	CR-411452-H	MALE SCORE HEAD	1
2	CR-45455	REPLACABLE KEYWAY INSERT	1
3	SHCS-10-32-58	#10-32 X 5/8LG. SHCS	2
4	CR-411451-R	MALE SCORE RING	1
5	SHCS-38-114	3/8-16 x 1-1/4"LG. SHCS	8



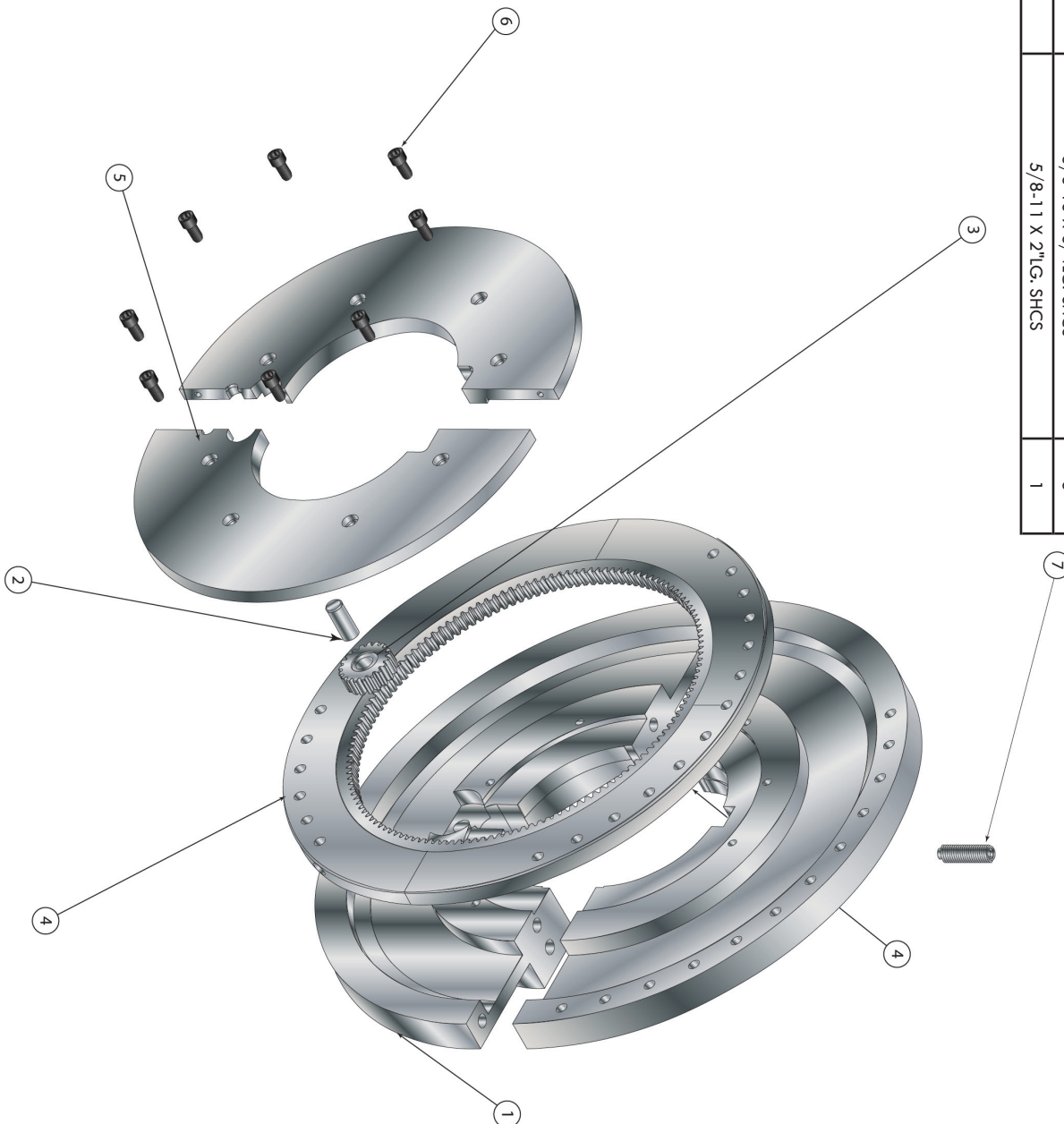
MALE SCORE HEAD 66" WARD CR-411451-HK

ITEM NO.	PART NUMBER	DESCRIPTION	QTY.
1	CR-411451-H	MALE SCORE HEAD	1
2	CR-411451-R	MALE SCORE RING	1
3	CR-45455	REPLACEABLE KEYWAY INSERT	1
4	CR-511160-R1	WEAR PLATE	1
5	CR-411160-R2	WEAR PLATE	1
6	CR-411160-R3	SPACER, WEAR PLATE	8
7	DP-14-34	Ø1/4 X 3/4" LG. DOWEL PIN	4
8	SHCS-10-32-58	#10-32 X 5/8 LG. SHCS	2
9	SHCS-38-2	3/8-16 X 2" LG. SHCS	8
10	SHCS-48-78	3/8-16 X 7/8 LG. SHCS	8
11	SHCS-38-114	3/8-16 X 1-1/4" LG. SHCS	8



MALE SLOTTER HEAD 66" WARD CR-411299-HK

ITEM NO.	PART NUMBER	DESCRIPTION	QTY.
1	CR-411298-H	MALE STITCH HEAD (CENTER)	1
2	CR-411222-P	PIN, SLOTTER HEAD	1
3	CR-45240	GEAR, SLOTTER HEAD (19T)	1
4	CR-45532-S	INTERNAL GEAR, SLTR. HD. SPLIT (135T)	1
5	CR-411298-R	RETAINING RING	1
6	SHCS-38-34	3/8-16 X 3/4LG. SHCS	8
7	BTSS-58-2	5/8-11 X 2"LG. SHCS	1



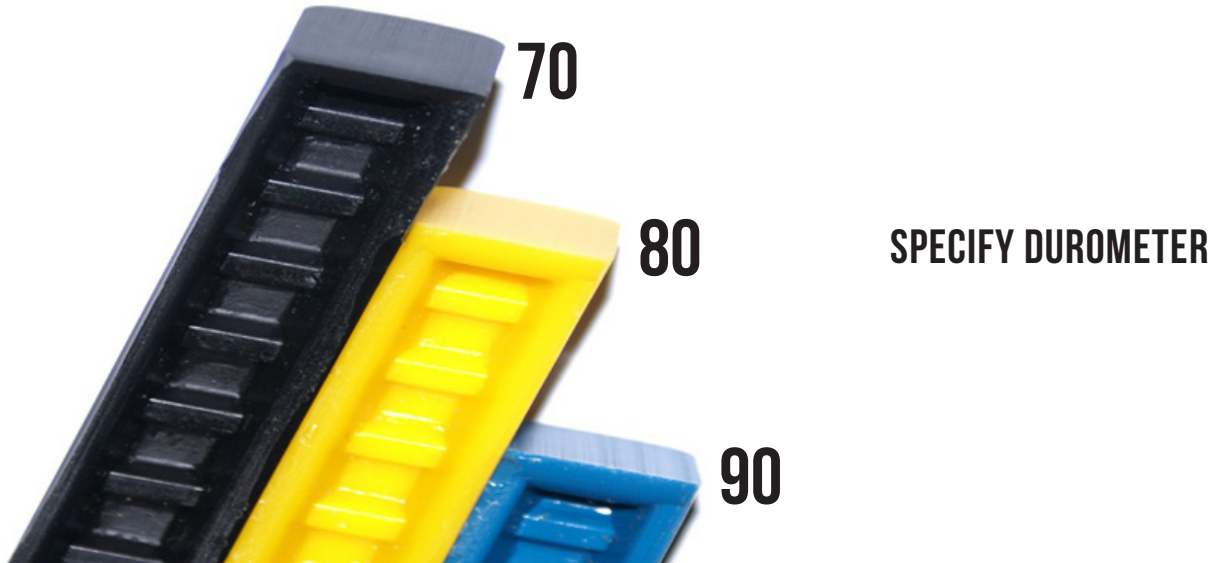
WARD 75" 19000 SPLIT HEADS

PART NUMBER	DESCRIPTION
CR-411544-HK	MALE STITCH HEAD
CR-45110-TK	STITCH BLOCK TRAILING
CR-45110-LK	STITCH BLOCK LEADING
CR-411547-HK	FEMALE STITCH HEAD
CR-411545-HK	MALE SLOTTER HEAD (2ND & 3RD)
CR-411546-HK	MALE SLOTTER HEAD (CENTER)
CR-411548-HK	FEMALE SLOTTER HEAD (2ND & 3RD)
CR-411549-HK	FEMALE SLOTTER HEAD (CENTER)
CR-411552-HK	MALE SCORE HEAD (1ST, 2ND, & 3RD)
CR-411553-HK	MALE SCORE HEAD (CENTER)
CR-411550-HK	FEMALE SCORE HEAD
CR-411551-HK	FEMALE SCORE HEAD (CENTER)
CR-411550-C	URETHANE SCORE COVER (SPECIFY DUROMETER)
CR-410311-HK	TRIM HEAD UPPER
CR-410312-HK	TRIM HEAD LOWER



**CORRUGATED
REPLACEMENTS, INC.**

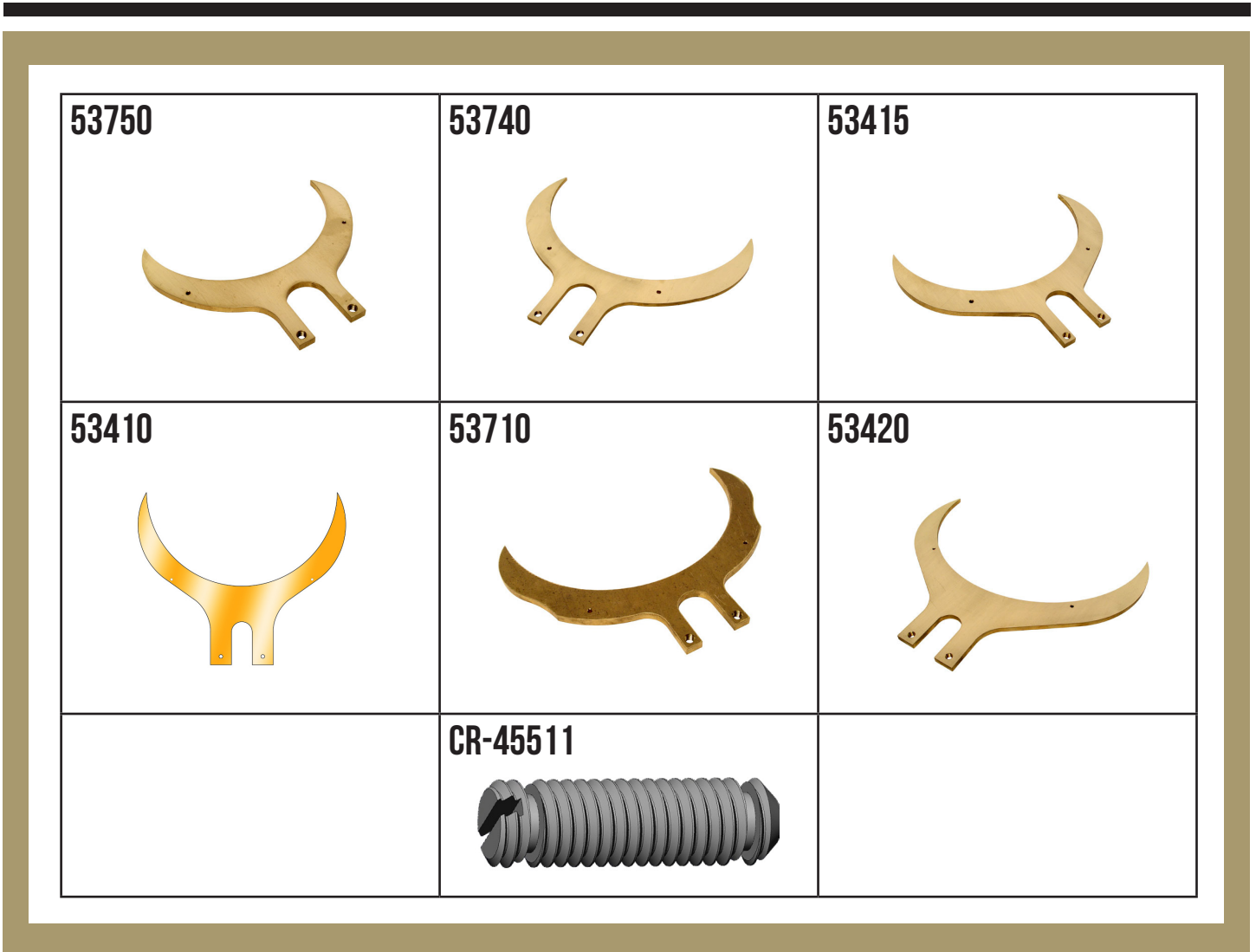
URETHANE SCORE COVERS



PART NUMBER	OEM NUMBER	PRODUCT NAME	DESCRIPTION
CR-45486-70	177052	URETHANE SCORE COVER	DUROMETER 70 - BLACK - 37 1/2"
CR-45486-80	148252	URETHANE SCORE COVER	DUROMETER 80 - YELLOW - 37 1/2"
CR-45486-90	120365	URETHANE SCORE COVER	DUROMETER 90 - BLUE - 37 1/2"
CR-45508-70	146408	URETHANE SCORE COVER	DUROMETER 70 - BLACK - 50"
CR-45508-80	267597	URETHANE SCORE COVER	DUROMETER 80 - YELLOW - 50"
CR-45508-90	121737	URETHANE SCORE COVER	DUROMETER 90 - BLUE - 50"
CR-45845-70	177053	URETHANE SCORE COVER	DUROMETER 70 - BLACK - 66"
CR-45845-80	154789	URETHANE SCORE COVER	DUROMETER 80 - YELLOW - 66"
CR-45845-90	121733	URETHANE SCORE COVER	DUROMETER 90 - BLUE - 66"
CR-411550-C	46560	URETHANE SCORE COVER	75"




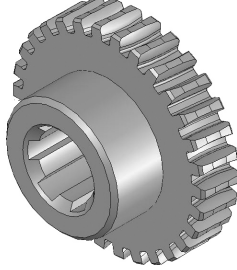
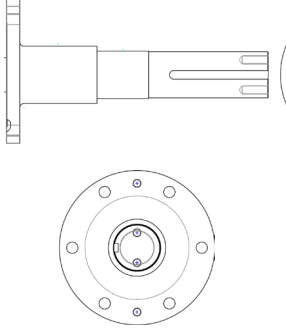

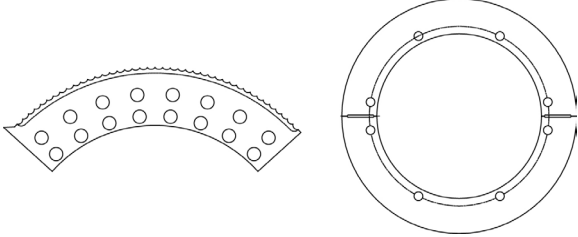


WARD STRIPPERS



PART NUMBER	OEM NUMBER	PRODUCT NAME	DESCRIPTION
53750	C-79405	STRIPPER	WARD MODEL 11000 37 1/2"
53740	C-70895	STRIPPER	WARD MODEL 11000 37 1/2"
53415	C-47380	STRIPPER	50"
53410	C-47260	STRIPPER	66"
53710	C-78732	STRIPPER	66"
53420	C-49729	STRIPPER	75"
45511	C-22532	STRIPPER PEN	ALL STRIPPER MODELS



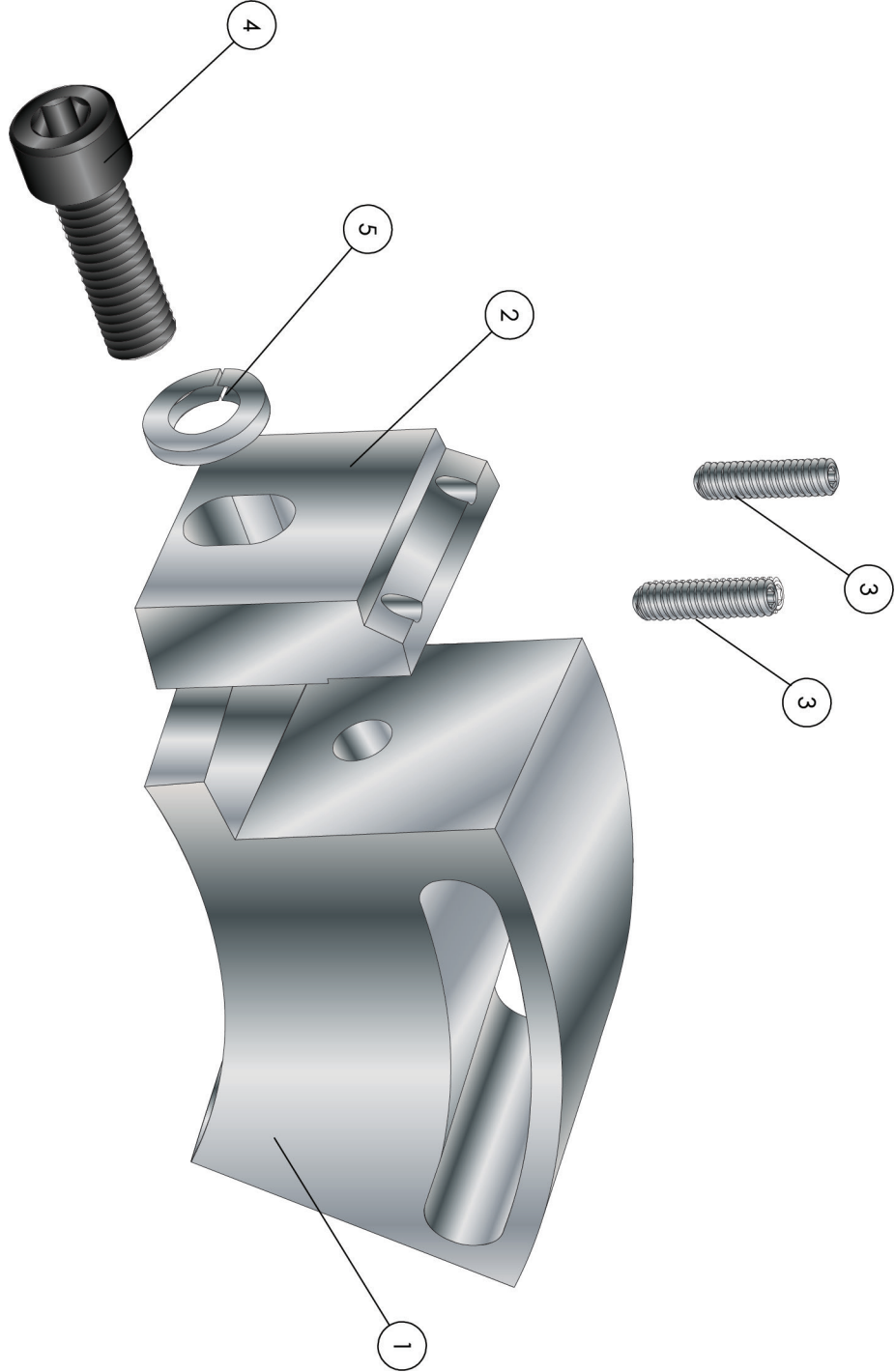
OTHER PARTS

<p>CR-45046 & CR-45377</p> 	<p>CR-45131</p> 	<p>CR-45034</p> 
<p>CR-45147-ASK</p> 	<p>MALE & FEMALE KNIVES</p> <p>Serrated / Plain / Tipped / Double Tipped</p> 	
<p>CR-45928</p> 	<p>CR-63055</p> 	

PART NUMBER	PRODUCT NAME	DESCRIPTION
CR-45046	CARBON WEAR BUTTON	FITS 37 1/2" WARD, 1" /48
CR-45377	CARBON WEAR BUTTON	FITS 50", 66", & 75" WARD, 1 3/8" /32
CR-45131	WORM GEAR	
CR-45034	JOURNAL PRINT CYLINDER	OS FOR 66" WARD (Ask Sales Representative for additional parts)
CR-45147-ASK	BELT LIFTING BAR ASSEMBLY	
CR-45928	BLANKING PLATE	OEM# 146320 FITS 37" & 75" WARD
CR-63055	POLYURETHANE AND SPRING STEEL HOLD DOWN BRUSH 17"	

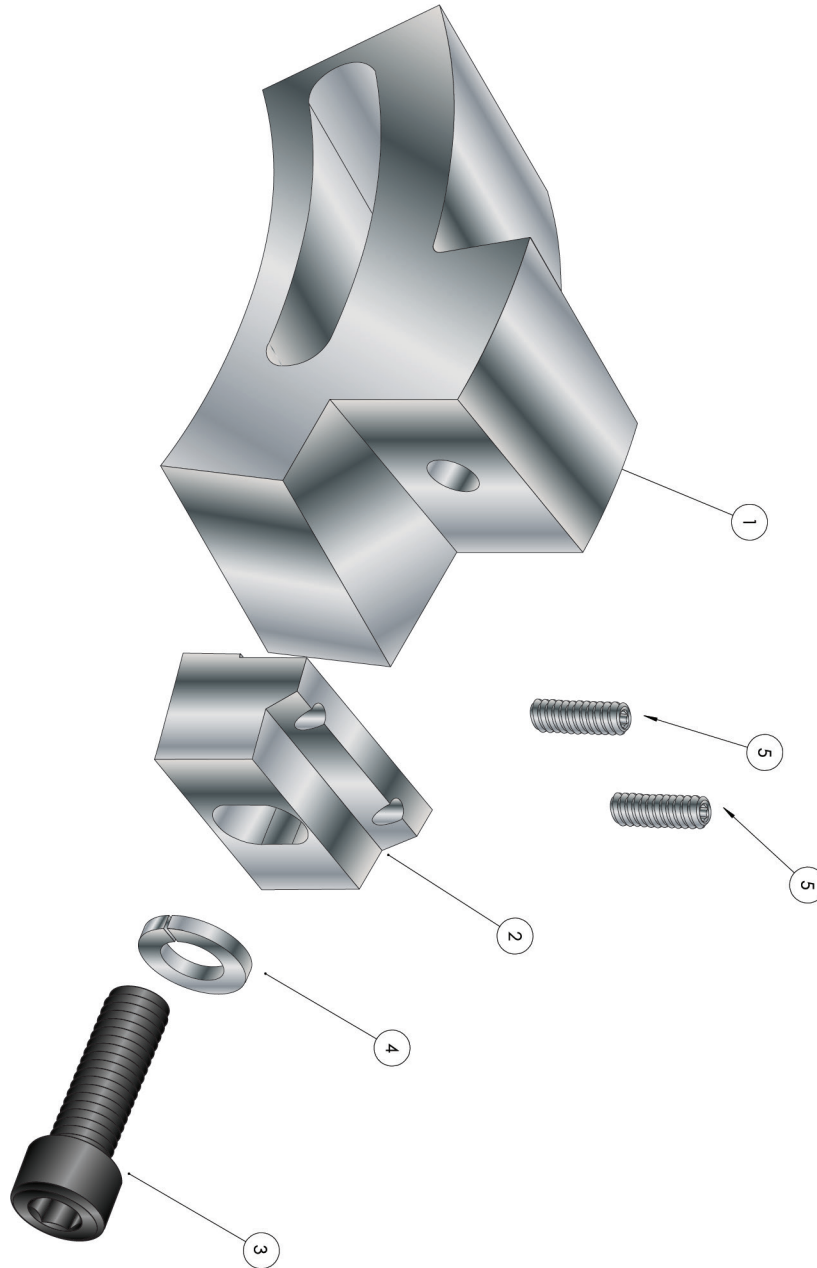
STITCH BLOCK LEADING 50" WARD CR-45594-LK

ITEM NO.	PART NUMBER	Description	QTY.
1	CR-45594-L	STITCH BLOCK, LEADING	1
2	CR-45594-LC	KNIFE HOLDER, LEADING	1
3	CPSS-14-1	1/4-20 X 1" LG. CPSS	2
4	SHCS-12-112	1/2-13 X 1-1/2" LG. SHCS	1
5	LW-12	Ø 1/2 LOCKWASHER	1

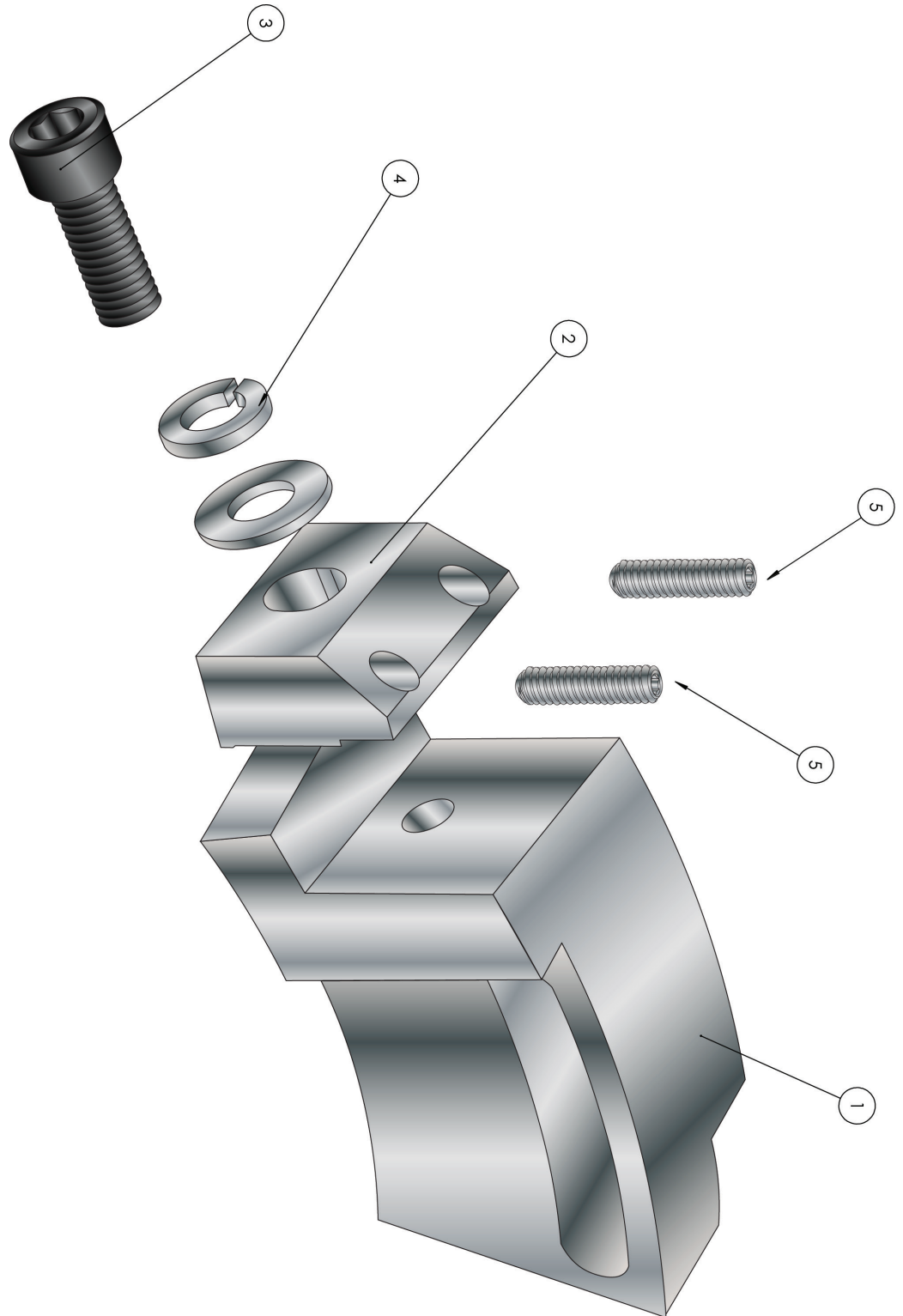


STITCH BLOCK TRAILING 50" WARD CR-45594-TK

ITEM NO.	PART NUMBER	Description	QTY.
1	CR-45594-T	STITCH BLOCK, TRAILING	1
2	CR-45594-TC	KNIFE HOLDER, TRAILING	1
3	SHCS-12-112	1/2-13 X 1-1/2" LG. SHCS	1
4	LW-12	Ø1/2 LOCKWASHER	1
5	CPSS-14-34	1/4-20 X 1" LG. CPSS	2



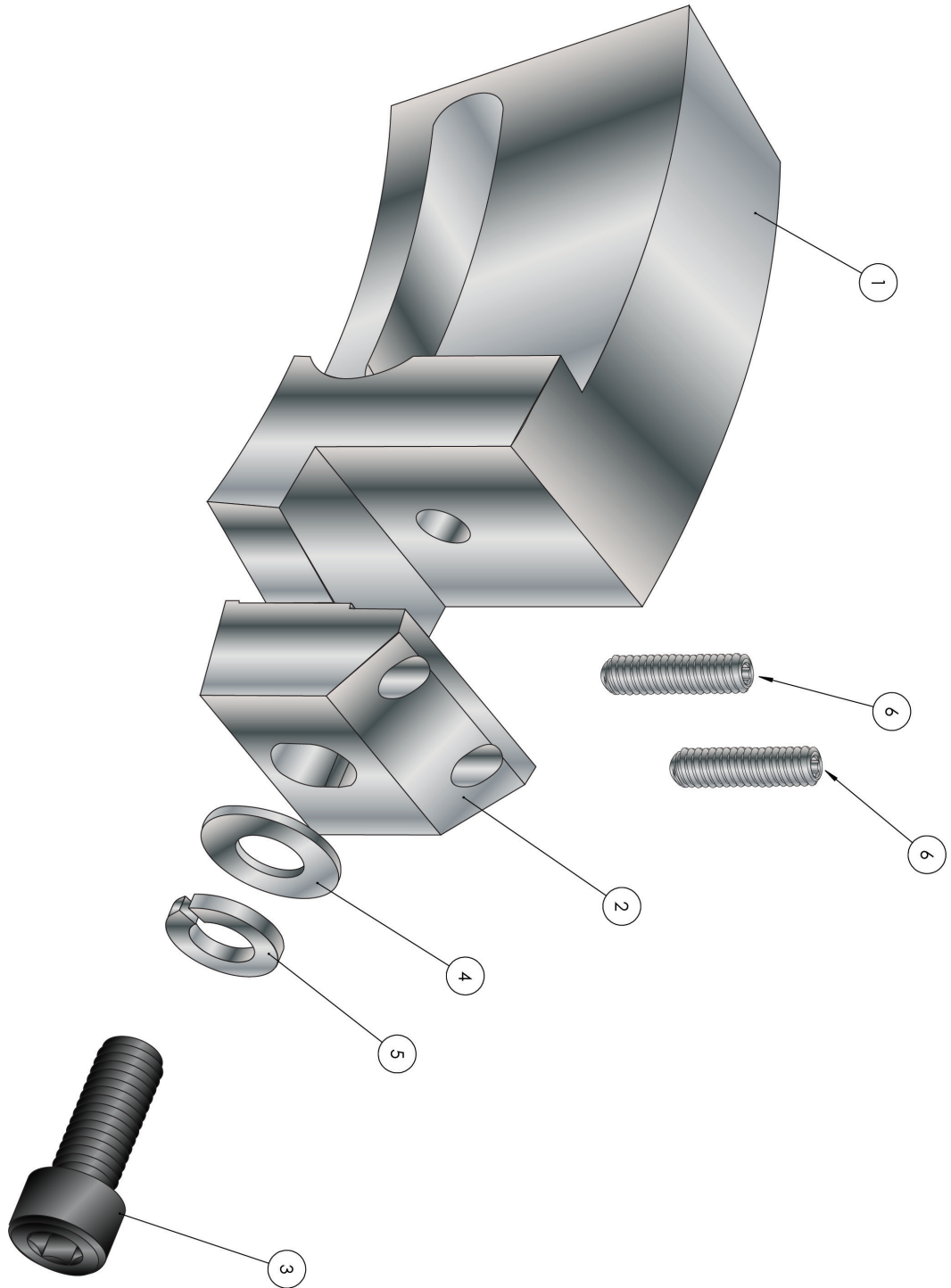
STITCH BLOCK LEADING 66" WARD CR-45785-LK

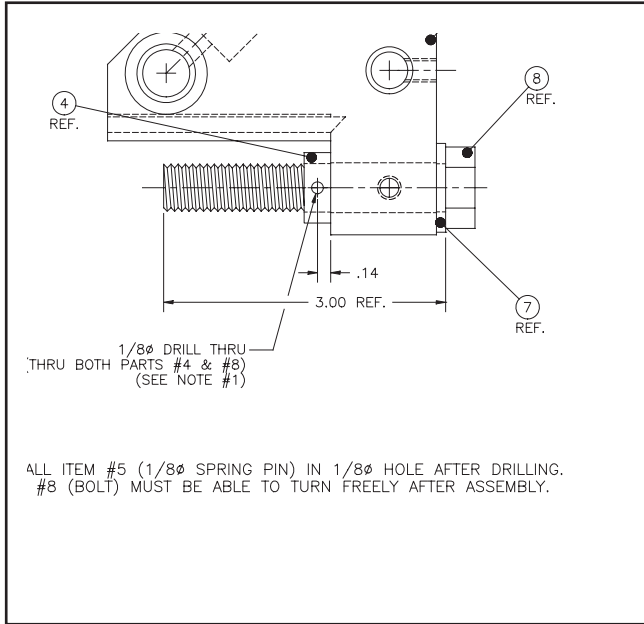


ITEM NO.	PART NUMBER	Description	QTY.
1	CR-45785-L	STITCH BLOCK, LEADING	1
2	CR-45785-KH	KNIFE HOLDER	1
3	SHCS-12-114	1/2-13 X 1-1/4"LG. SHCS 1	
4	LW-12	Ø 1/2 LOCKWASHER	1
5	CPSS-14-114	1/4-20 X 1-1/4"LG. CPSS	2
6	FW-12	Ø 1/2" FLAT WASHER	1

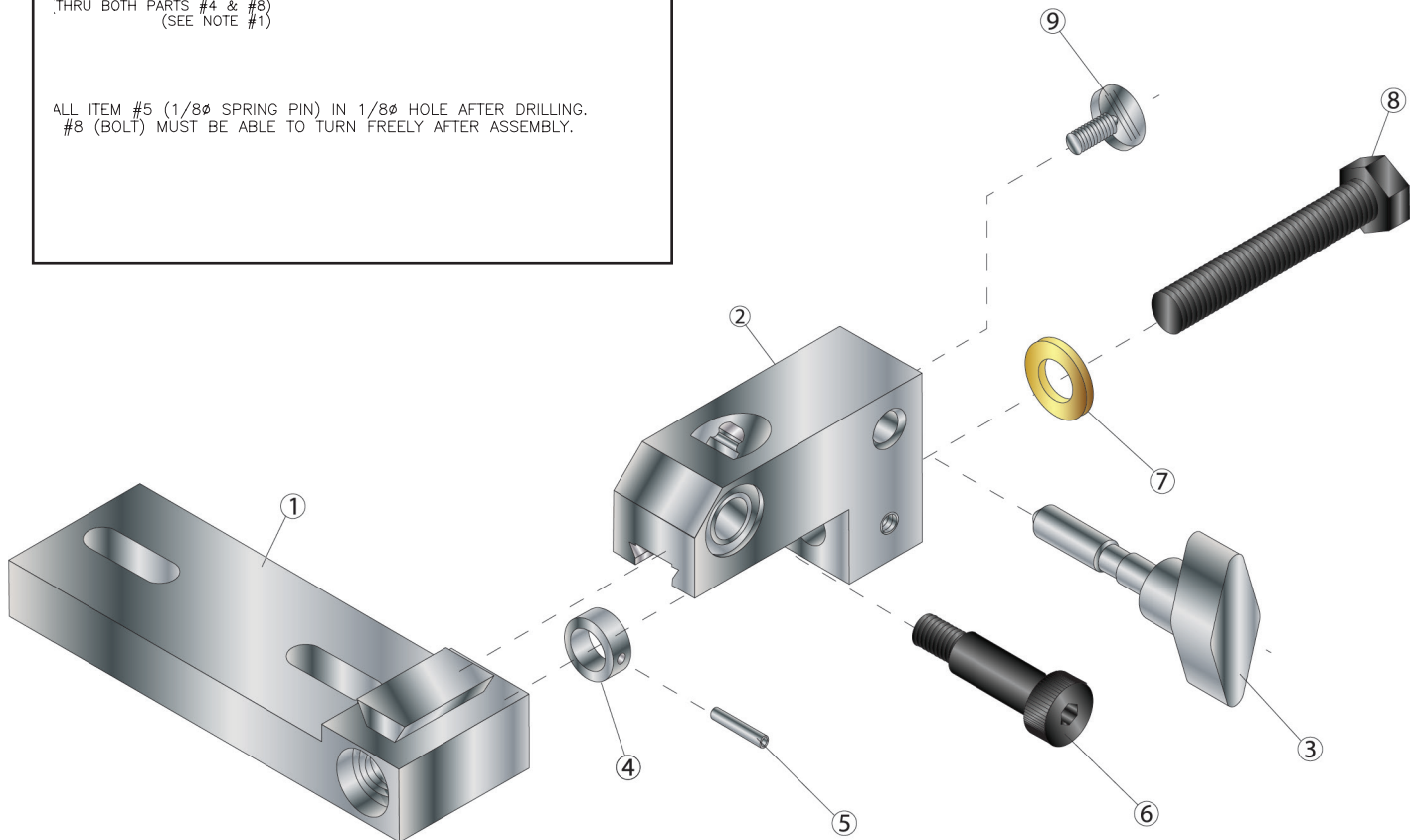
STITCH BLOCK TRAILING 66" WARD CR-45785-TK

ITEM NO.	PART NUMBER	DESCRIPTION	QTY.
1	CR-45785-T	STITCH BLOCK, TRAILING	1
2	CR-45785-KH	KNIFE HOLDER	1
3	SHCS-12-114	1/2-13 X 1-1/4" LG. SHCS	1
4	FW-12	Ø1/2" FLATE WASHER	1
5	LW-12	Ø1/2 LOCKWASHER	1
6	CPSS-14-114	1/4-20 X 1-1/4 LG. CPSS	2





ITEM NO.	PART NUMBER	DESCRIPTION	QTY.
1	CR-45333-1	DOVETAIL BLOCK (LOWER)	1
2	CR-45333-1	DOVETAIL BLOCK (UPPER)	1
3	CR-45333-3	T-HANDLE	1
4	CR-45333-4	COLLAR	1
5	98296A181	Ø1/6 X 3/4LG SPRING PIN	1
6	91259A714	3/8-16 SHOULDER BOLT	1
7	91635A280	METRIC BRASS WASHER	1
8	92865A724	1/2-13 X 3"LG HEAD HEAD BOLT	1
9	90181A537	1/4-20 X 1/2LG THUMB SCREW	1



PART NUMBER	PRODUCT NAME	DESCRIPTION
CR-45333-K	DOVETAIL ASSEMBLY	UPPER & LOWER BLOCK, T-HANDLE, COLLAR & MISC HARDWARE

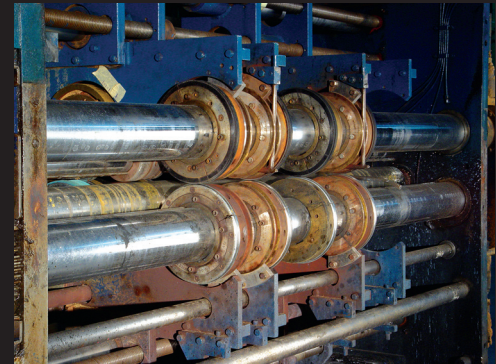
CORRUGATED REBUILD...

FROM START TO FINISH

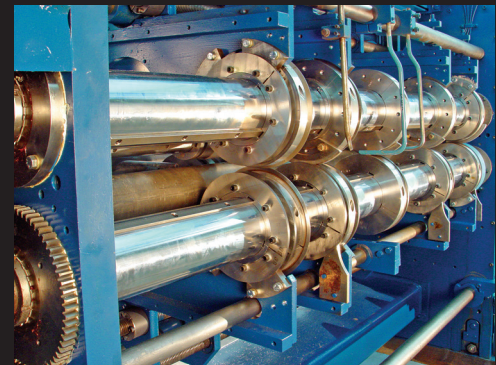
- More than just a company that rebuilds.
- More than just parts.
- A commitment from start to finish.
- Satisfaction Guaranteed!

- Consultation by a team of dedicated, experienced field service technicians
- Provide detailed comprehensive parts data and quote
- Work side-by-side with On Site Training

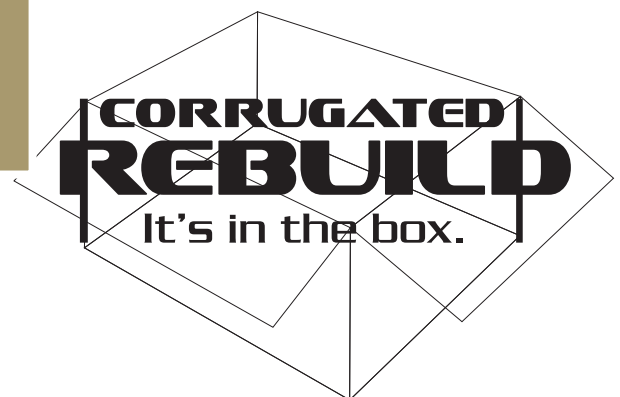
Restore quality, increase production, save money. Call Corrugated Rebuild TODAY!



BEFORE



AFTER



706.781.4520 | Fax: 706.781.6649
linzie.oney@corrugatedrparts.com