

TECASA REPLACEMENT PARTS



2021



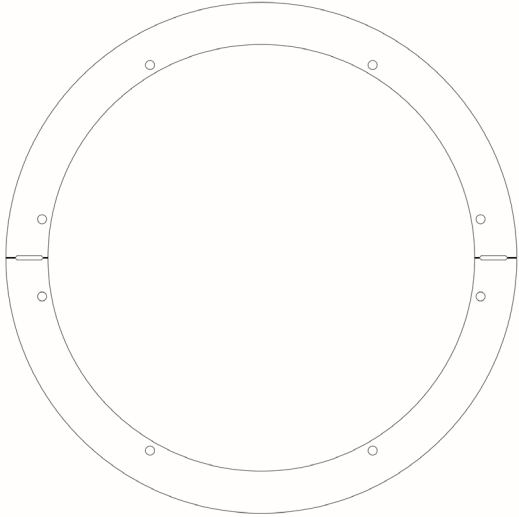
**CORRUGATED
REPLACEMENTS, INC.**
PRECISION PARTS. PRECISION MANUFACTURING.

161 Lee Industrial Drive
Blairsville, GA 30512
706-781-6650
Fax: 706-781-5549
corrugatedparts.com
sales@corrugatedparts.com

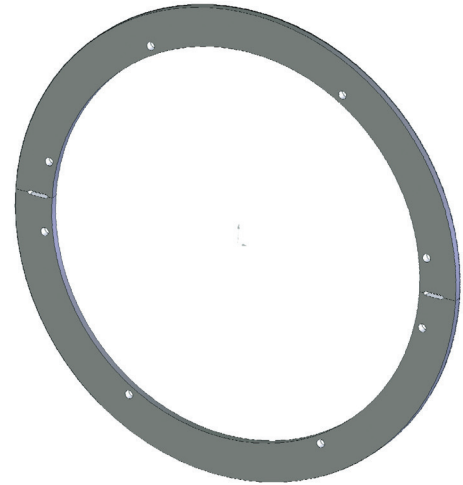
TABLE OF CONTENTS

PG	DESCRIPTION
1	66" FEMALE SLOTTER KNIVES
2	66" TRIM KNIVES 66" ANVIL HEADS
3	66" PINCH KNIVES 66" FEMALE SPACERS 66" GUIDE RINGS 66" CRUSH RINGS
4	66" MALE WEAR RINGS 66" MALE SCORE RINGS
5	66" ROLLERS
6	66" STRIPPERS
7	66" BRONZE NUT ASSEMBLIES
8	66" BRONZE NUT ASSEMBLIES 66" FOLDING WHEEL HUBS 66" ADJUSTING SHAFTS 66" YOKE BUSHINGS
9	66" YOKE GUIDES
10	66" WORM GEAR ASSEMBLIES 66" WORM SHAFTS
11	66" STITCH BLOCKS KNIFE HOLDER
12-13	50" MALE SLOTTER KNIVES 50" SERRATED MALE SLOTTER KNIVES
14	50" FEMALE SLOTTER KNIVES
15	50" TRIM KNIVES
16-17	50" TAB CUTTER KNIVES

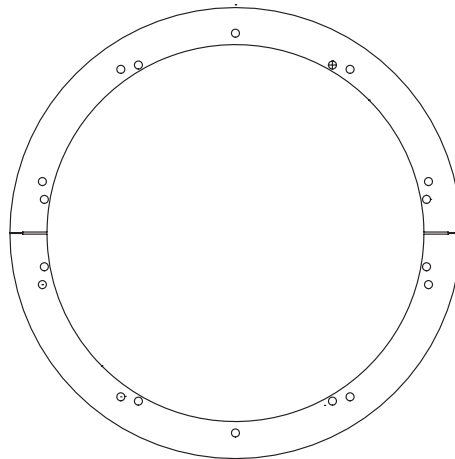
66" TECASA FEMALE SLOTTER KNIVES



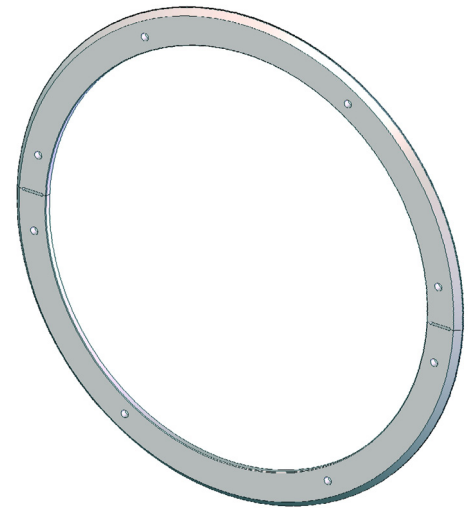
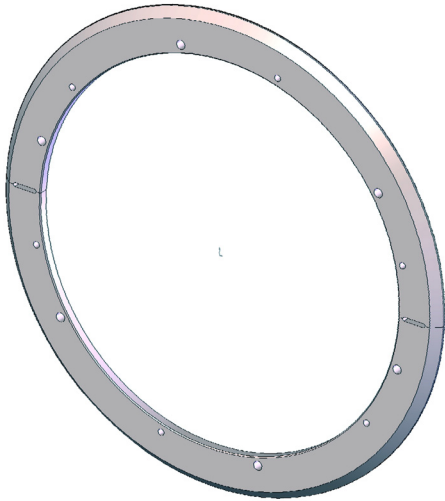
CR #	OEM #
CR-23010	



CR #	OEM #
CR-99914	501-301-07



CR #	OEM #
CR-23015	5-701-007

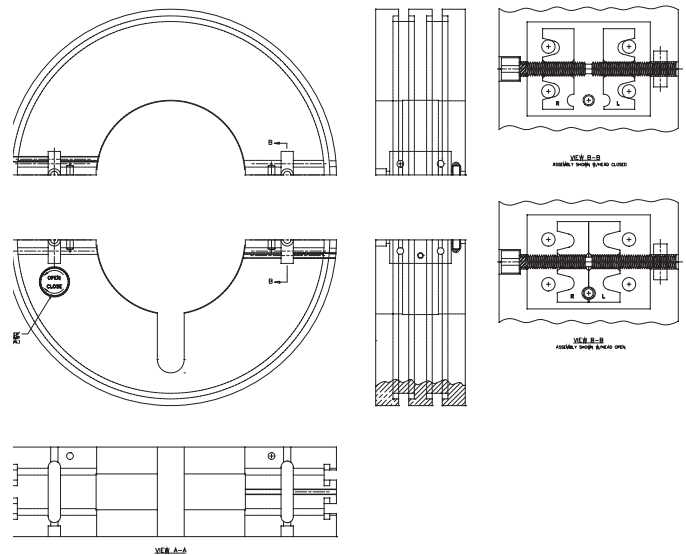
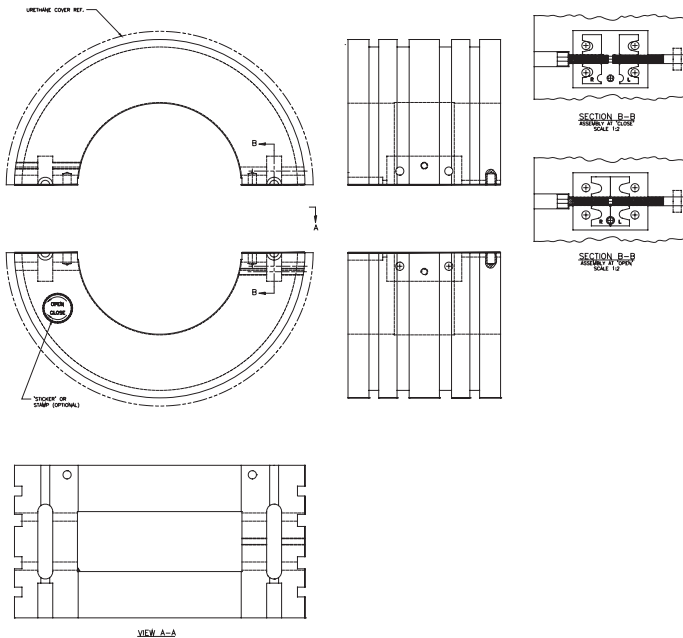


CR #	DESCRIPTION	OEM #
CR-23207	TRIM KNIFE	5-701-030

CR #	DESCRIPTION	OEM #
CR-23208	TRIM KNIFE	5-700-045

FOR HAND HOLE ATTACHMENT

FOR HAND HOLE ATTACHMENT



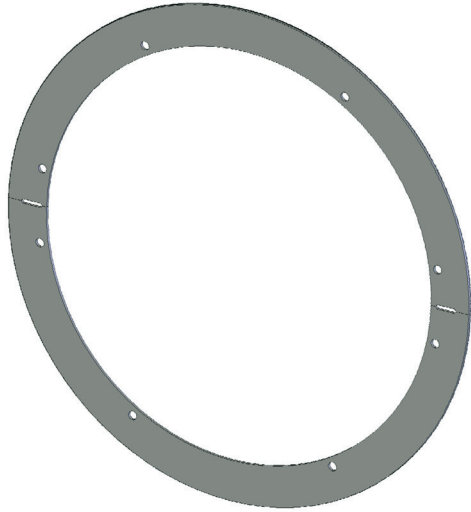
CR #	DESCRIPTION	OEM #
CR-410041-H	FEMALE ANVIL HEAD	SR-5240

CR #	DESCRIPTION
CR-410040-H	T-SLOT 5"

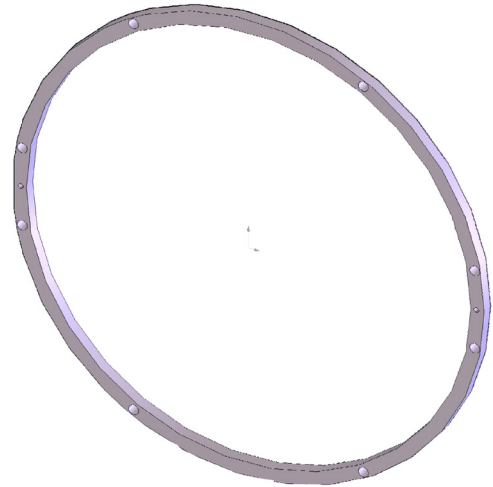
66" TECASA

PINCH KNIVES | FEMALE SPACERS

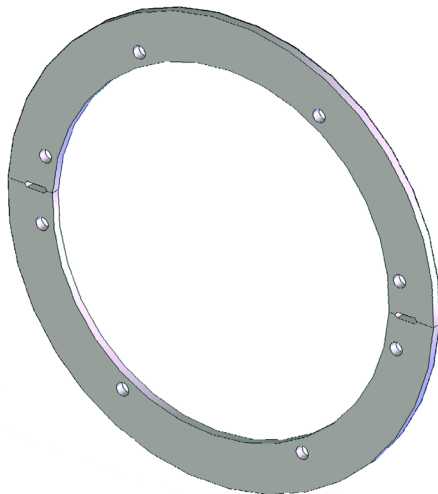
GUIDE RINGS | CRUSH RINGS



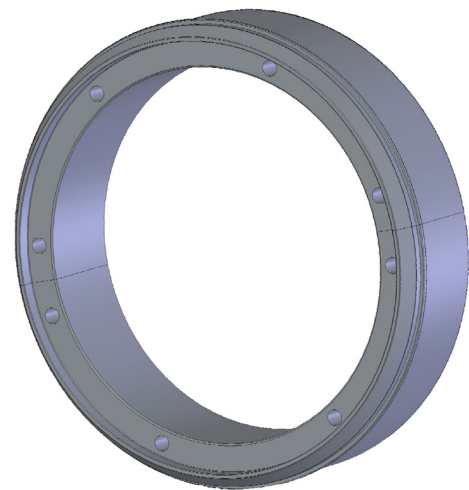
CR #	DESCRIPTION
CR-99974	PINCH KNIFE



CR #	DESCRIPTION
CR-23157	FEMALE SPACER

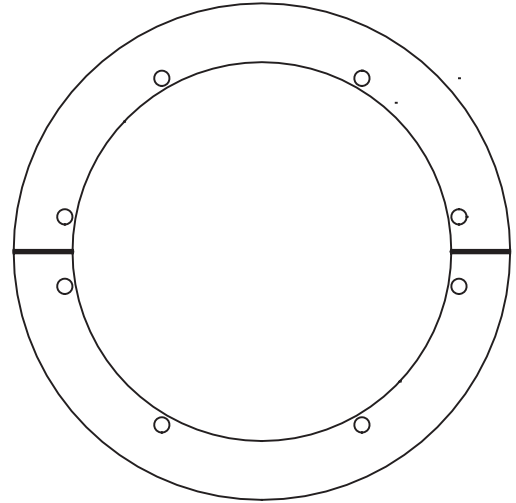
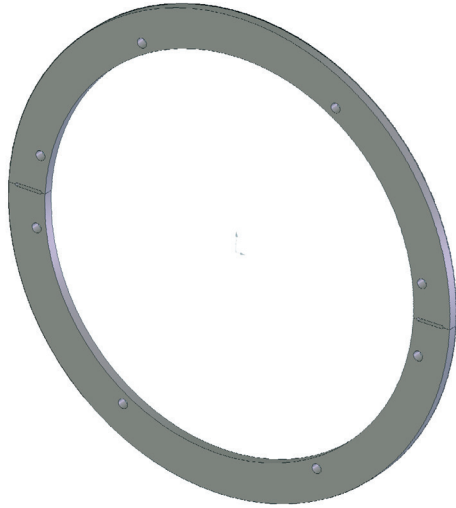


CR #	DESCRIPTION	OEM #
CR-23020	GUIDE RING	500.302.07



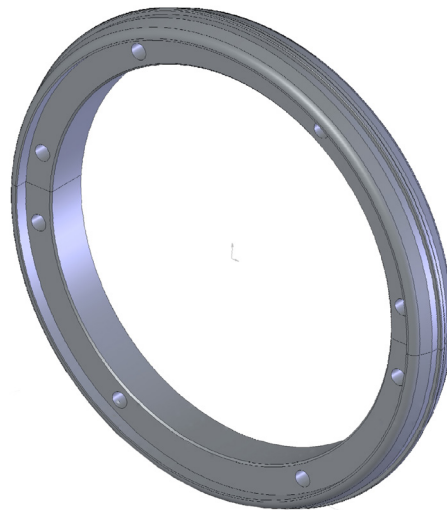
CR #	DESCRIPTION	OEM #
CR-23211	CRUSH RING	500.303.10

MALE WEAR RINGS | MALE SCORE RINGS



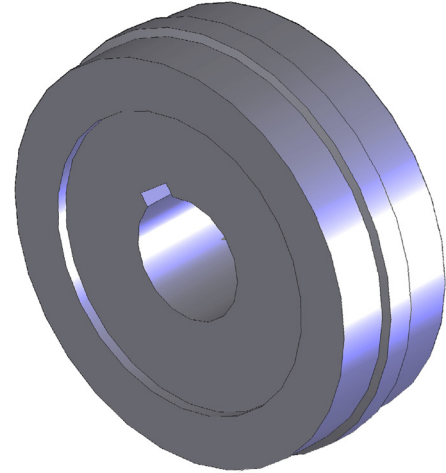
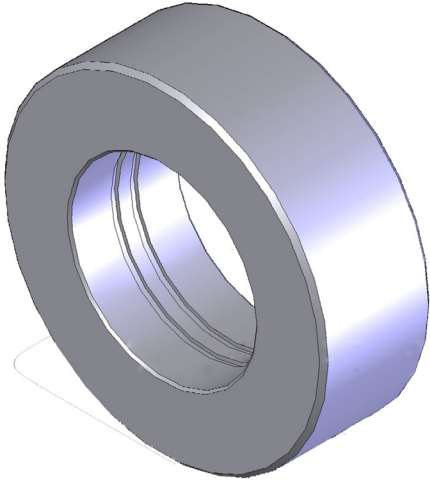
CR #	DESCRIPTION	OEM #
CR-99960	MALE WEAR RING	T.500.300.08

CR #	DESCRIPTION	OEM #
CR-23021	WEAR RING	500.405.13



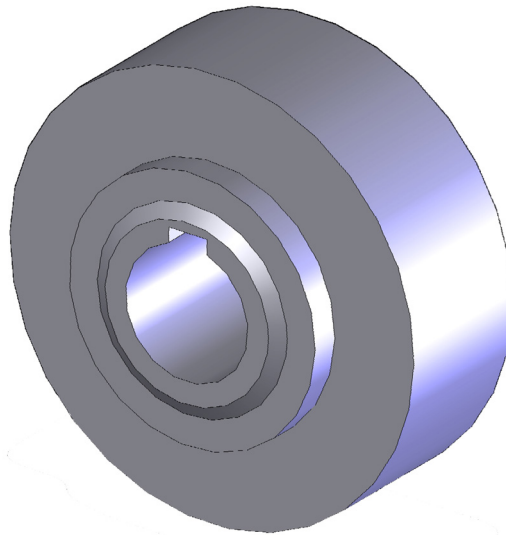
CR #	DESCRIPTION	OEM #
CR-23209	MALE SCORE RING	5.303.207

66" TECASA ROLLERS

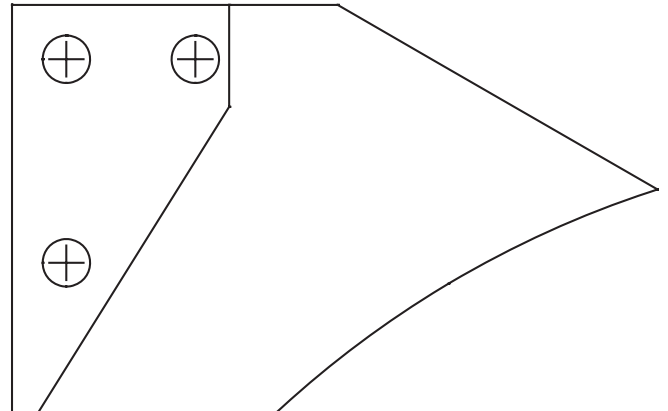
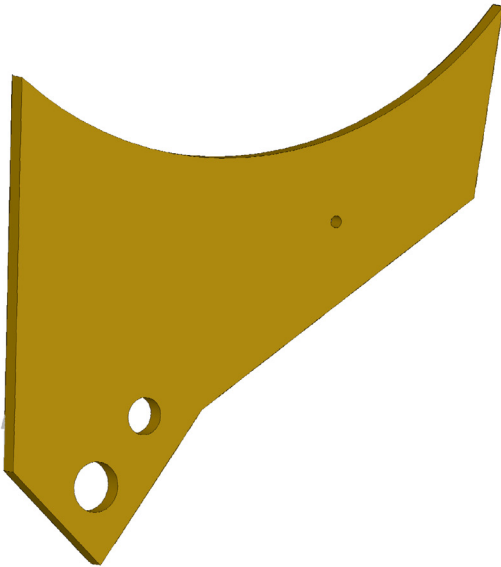


CR #	DESCRIPTION	OEM #
CR-23171	ROLLER, IDLER FLAT	200.104.40

CR #	DESCRIPTION	OEM #
CR-23170	ROLLER, DRIVE RIBBED	200.104.69



CR #	DESCRIPTION	OEM #
CR-23169	ROLLER, DRIVE FLAT	200.104.68



CR #	DESCRIPTION	OEM #
CR-190108	STRIPPER	SMC#10160

CR #	DESCRIPTION	OEM #
CR-23019	STRIPPER	5-707025

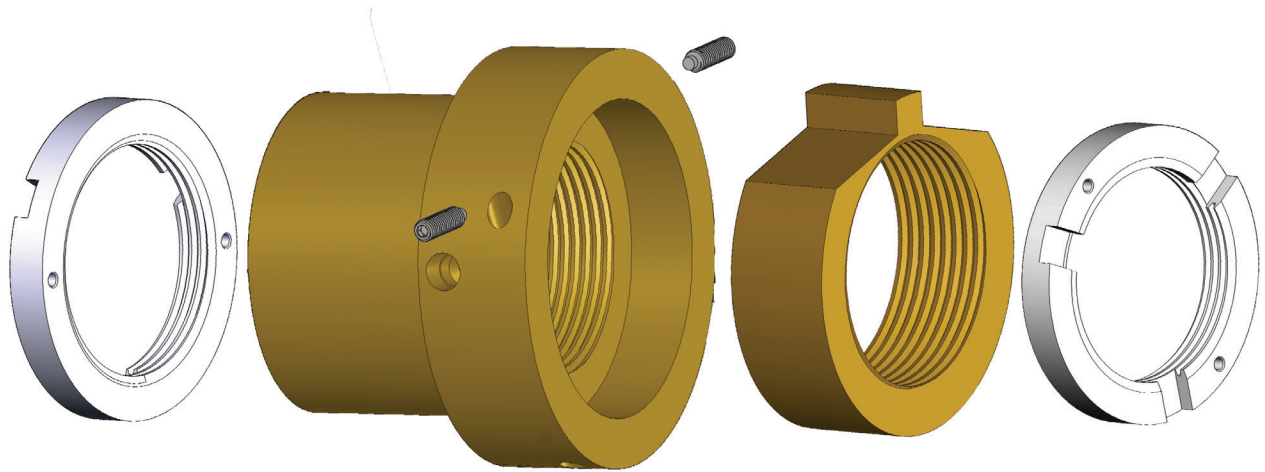


DON'T SEE THE PART YOU NEED?

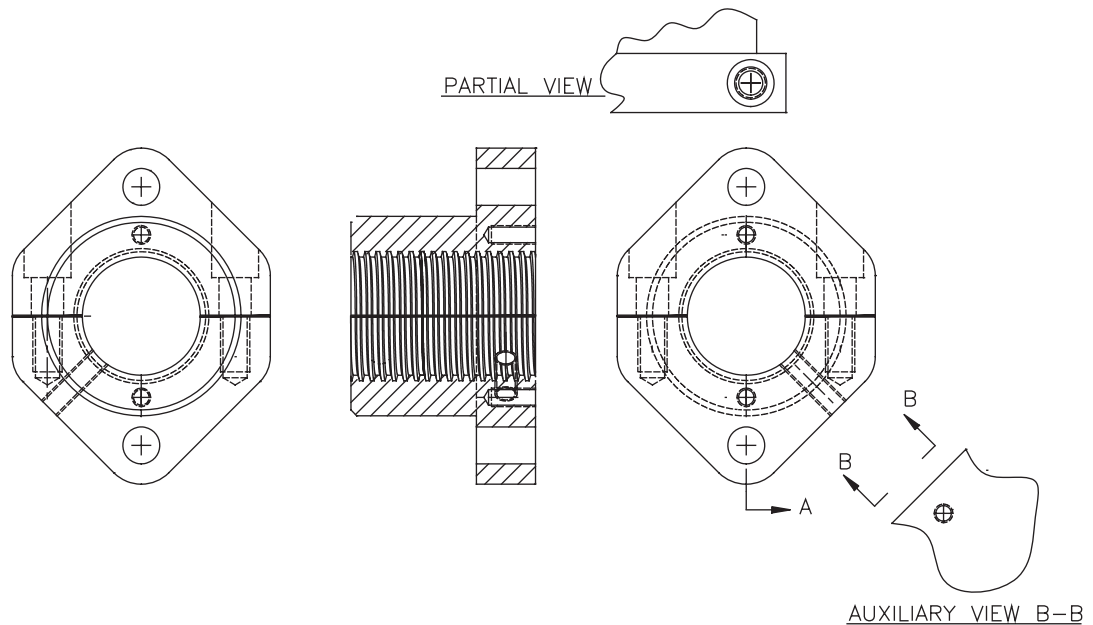
**GIVE US A CALL, WE HAVE YOUR
PART OR CAN MAKE IT!**

800-969-0881

66" TECASA BRONZE NUT ASSEMBLIES



CR #	DESCRIPTION
CR-23230	BRONZE NUT ASSEMBLY

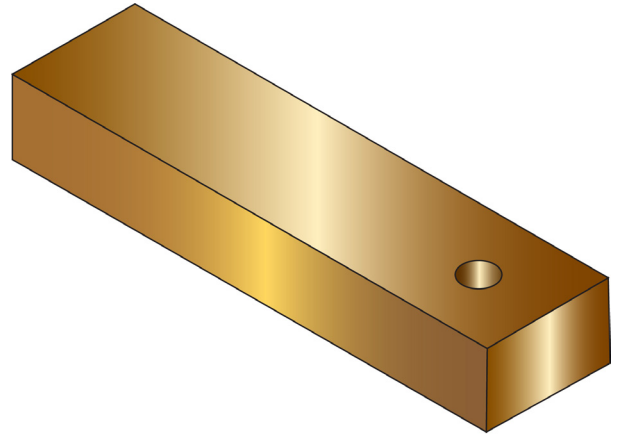
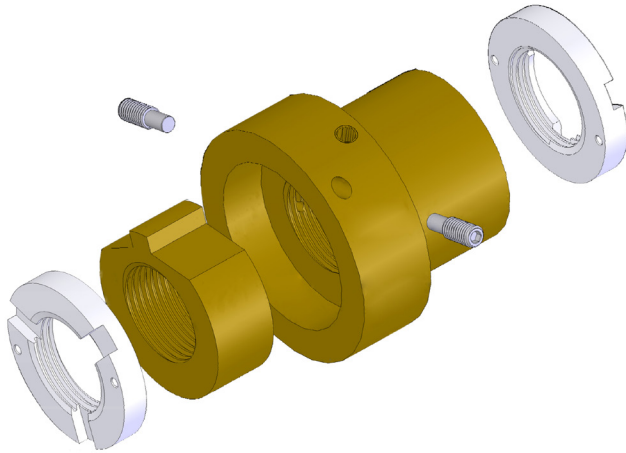


CR #	DESCRIPTION
CR-23161-S	CARRIER BRONZE NUT
*CR-23160-S	CARRIER BRONZE NUT

* NOT SHOW

BRONZE NUT ASSEMBLIES

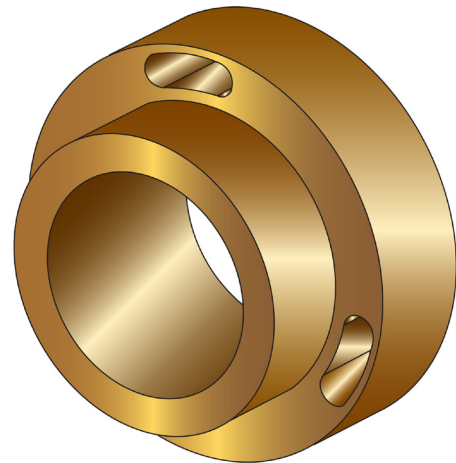
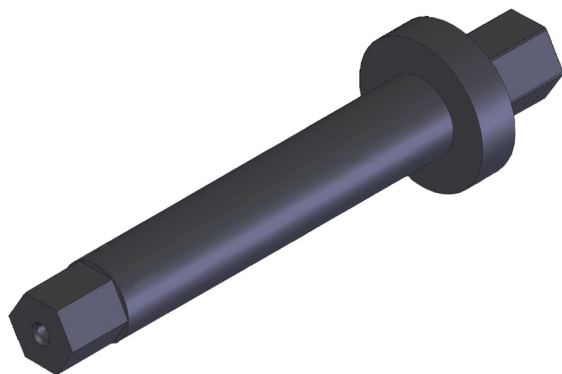
FOLDING WHEEL HUBS | ADJUSTING SHAFTS | YOKE BUSHINGS



CR #	DESCRIPTION
CR-23212	BRONZE NUT ASSEMBLY

CR #	DESCRIPTION	OEM #
CR-23215	KEY, FOLDING WHEEL HUB	BC.24.33

FEED GATES

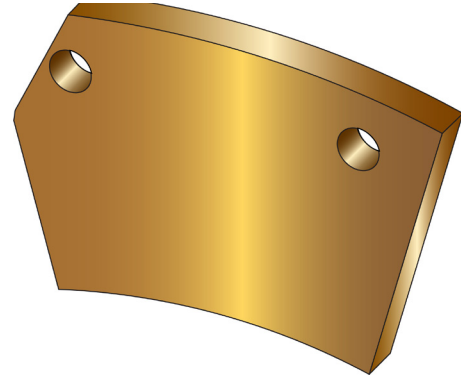
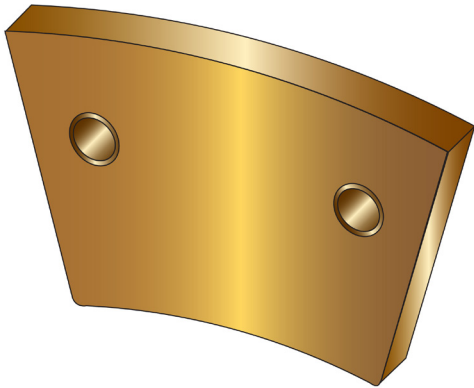


CR #	DESCRIPTION	OEM #
CR-23216	ADJUSTING SHAFT	200.105.50

CR #	DESCRIPTION
CR-23231	YOKE BUSHING

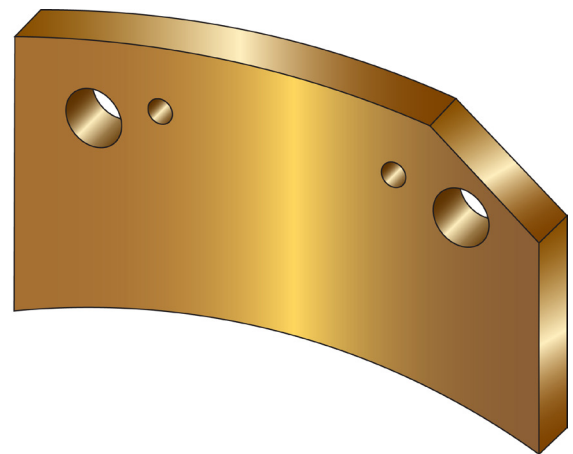
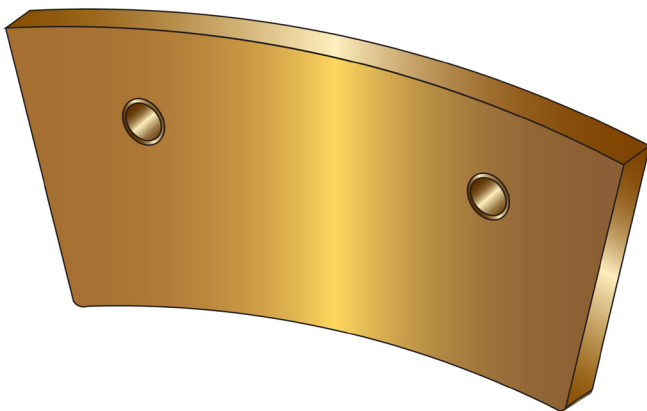
66" TECASA YOKE GUIDES

AVAILABLE IN BRASS OR STEEL



CR #	DESCRIPTION	OEM #
CR-23043-B	YOKE GUIDE	500.308.04

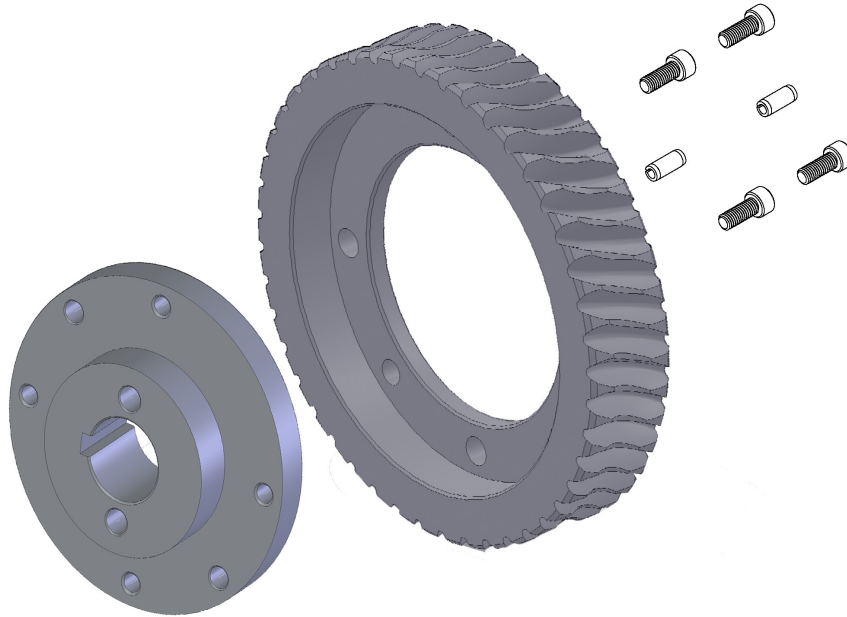
CR #	DESCRIPTION	OEM #
CR-23037-B	YOKE GUIDE	500.307.26



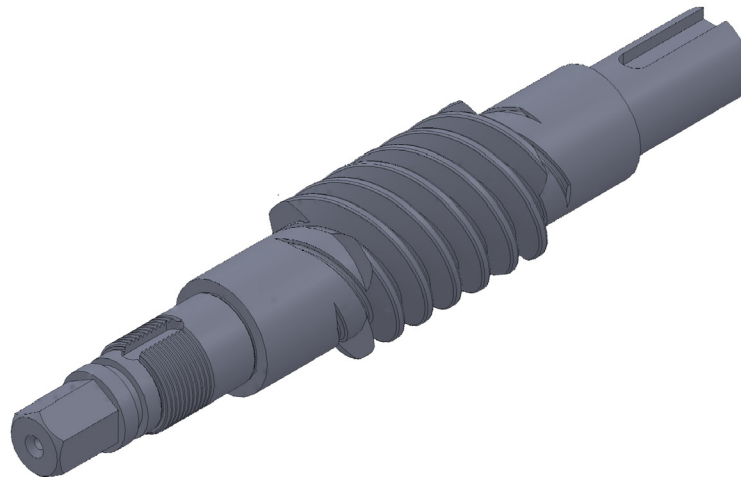
CR #	DESCRIPTION	OEM #
CR-23036-B	YOKE GUIDE	500.308.03

CR #	DESCRIPTION	OEM #
CR-23033-B	YOKE GUIDE	500.307.28

66" TECASA WORM GEAR ASSEMBLIES WORM SHAFTS

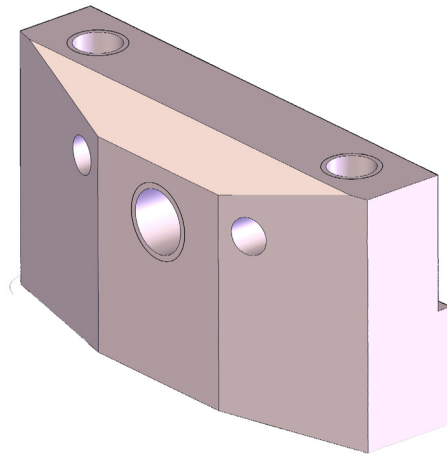
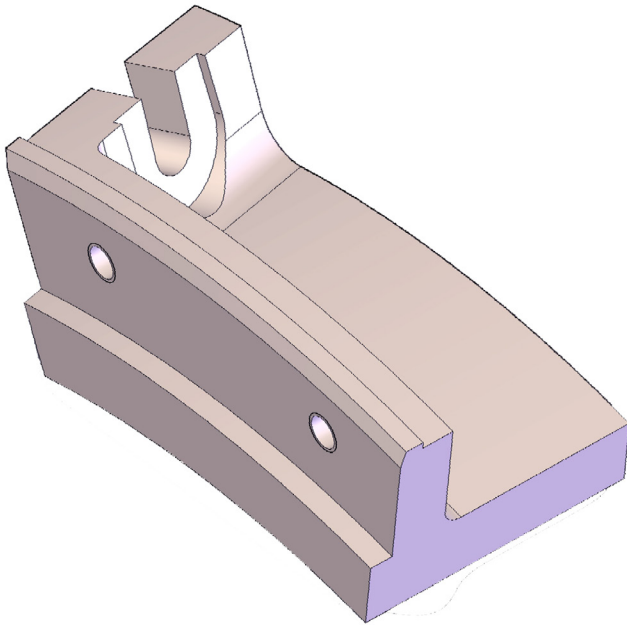


CR #	DESCRIPTION	OEM #
CR-23224	WORM GEAR ASSEMBLY	200.103.55



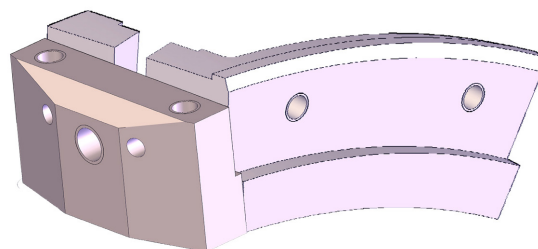
CR #	DESCRIPTION	OEM #
CR-23223	WORM SHAFT	200-103-56

66" TECASA STITCH BLOCKS | KNIFE HOLDERS



CR #	DESCRIPTION	OEM #
CR-23214-L	STITCH BLOCK (LEADING)	5-700.016
CR-23214-T*	STITCH BLOCK (TRAILING)	

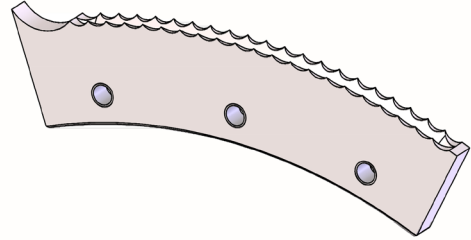
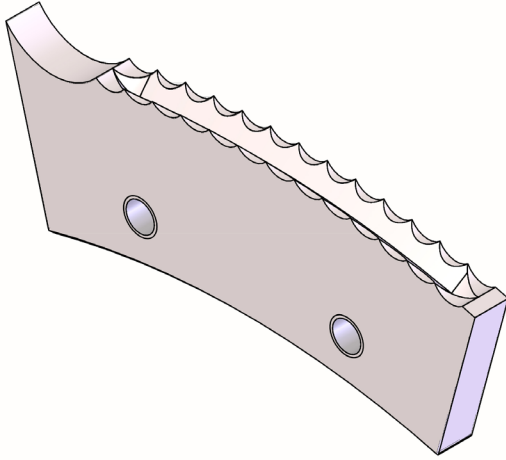
CR #	DESCRIPTION	OEM #
CR-23214-KH	KNIFE HOLDER	200.300.23



50"TECASA

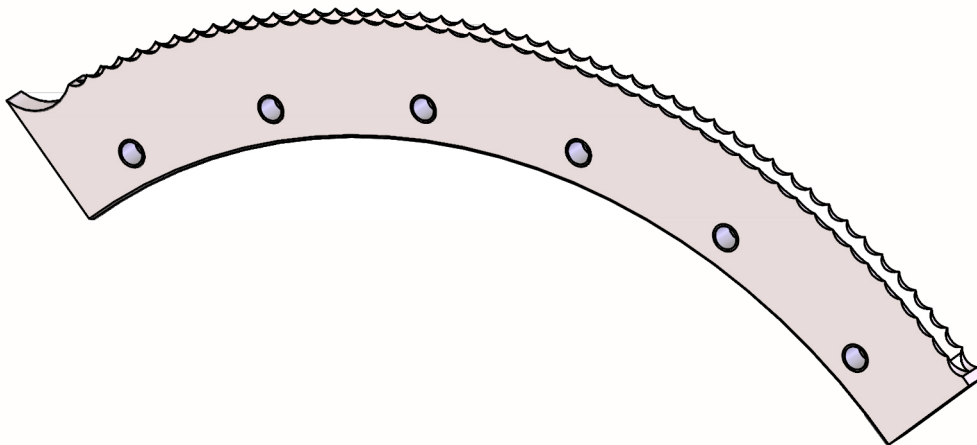
8MM MALE SLOTTER KNIVES

8MM SERRATED MALE SLOTTER KNIVES



CR #	DESCRIPTION	OEM #
M-170734	111MM TIP	300.310.8
M-170734-S	111MM TIP	300.310.8

CR #	DESCRIPTION	OEM #
M-170733	164.5MM TIP	300.300.320.8
M-170733-S	164.5MM TIP	300.300.320.8

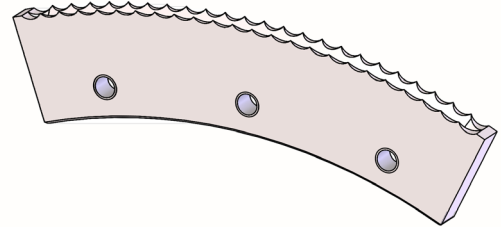
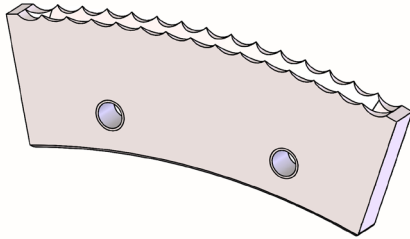


CR #	DESCRIPTION	OEM #
M-170374	305MM TIP	300.330.8
M-170374-S	305MM TIP	300.330.8

50"TECASA

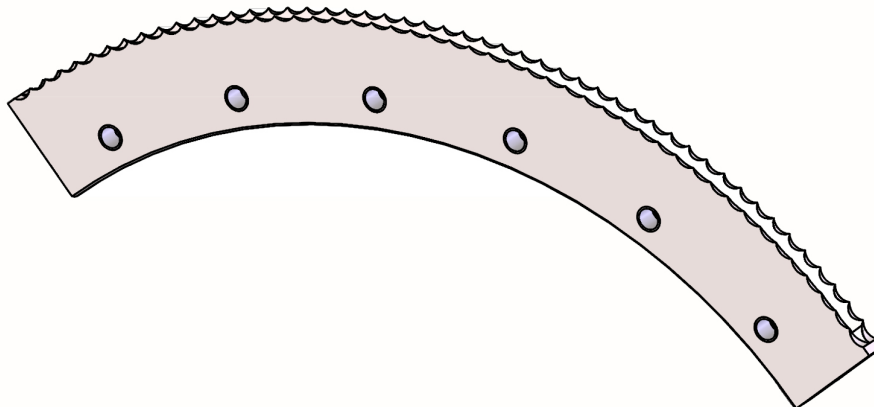
8MM MALE SLOTTER KNIVES

8MM SERRATED MALE SLOTTER KNIVES

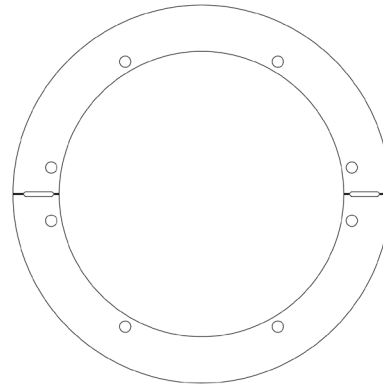
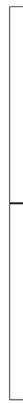
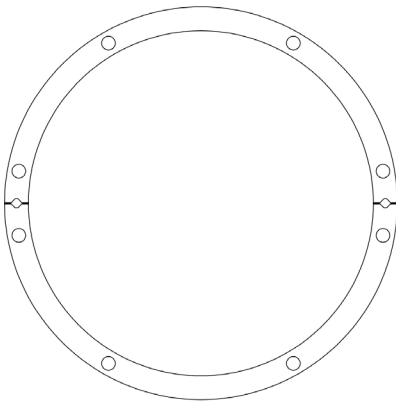


CR #	DESCRIPTION	OEM #
M-171679	111MM	T300-211-8
M-171679-S	111MM	T300-211-8

CR #	DESCRIPTION	OEM #
M-170965	164.5MM	300.300.221.8
M-170965-S	164.5MM	300.300.221.8

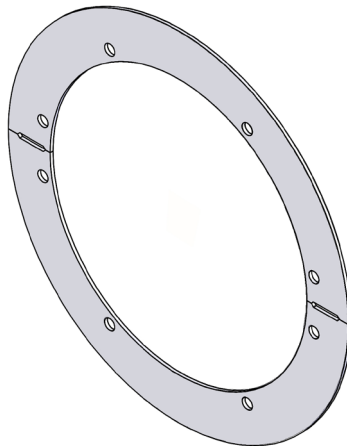


CR #	DESCRIPTION	OEM #
M-170732	305MM	T300-231-8
M-170732-S	305MM	T300-231-8



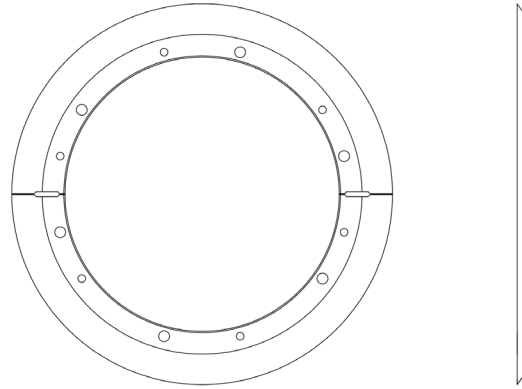
CR #	DESCRIPTION	OEM #
CR-99714	8.071 x 7.087 x .315 SPACER	300-301-08

CR #	DESCRIPTION	OEM #
CR-99715	9.390 x 7.087 x .236	200.301.07

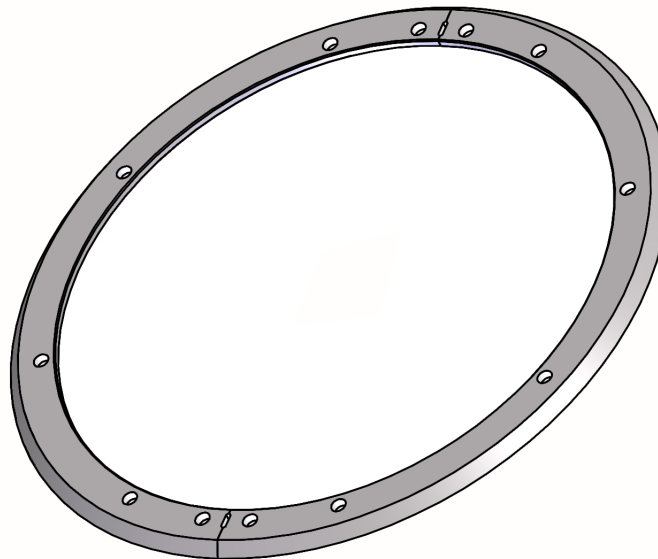


CR #	DESCRIPTION	OEM #
CR-99716	9.390 x 7.087 x 3.079 PINCH	200.301.08

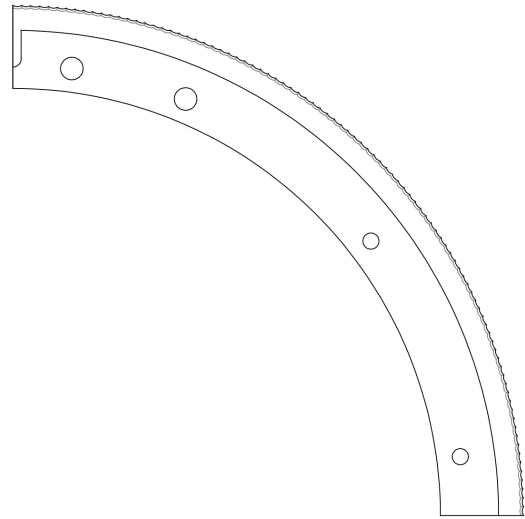
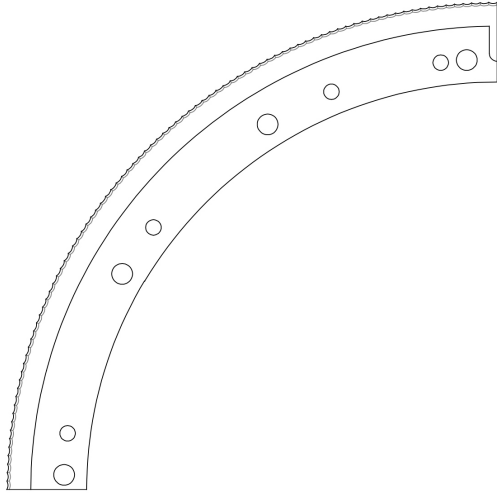
50" TECASA TRIM KNIVES



CR #	DESCRIPTION	OEM #
CR-99732	9.843 x 7.087 x .315 TRIM	300-301-326

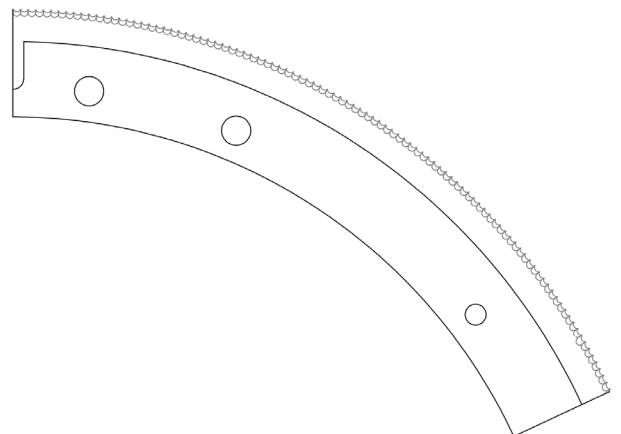
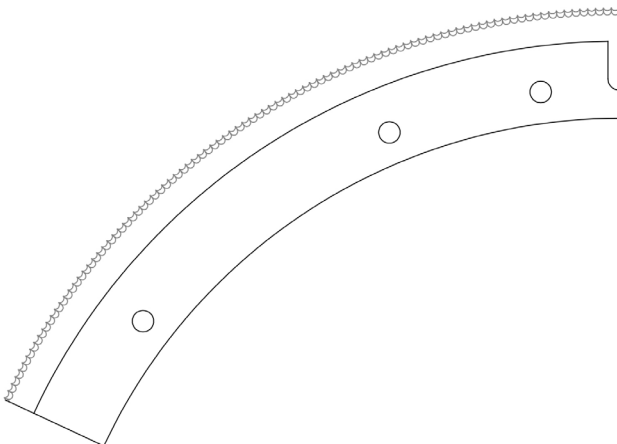


CR #	DESCRIPTION	OEM #
CR-99805	16.772 x 14.252 x .315 TRIM	300-301-327



CR #	DESCRIPTION	OEM #
CR-99634	12" SERRATED LEAD	300.300.233

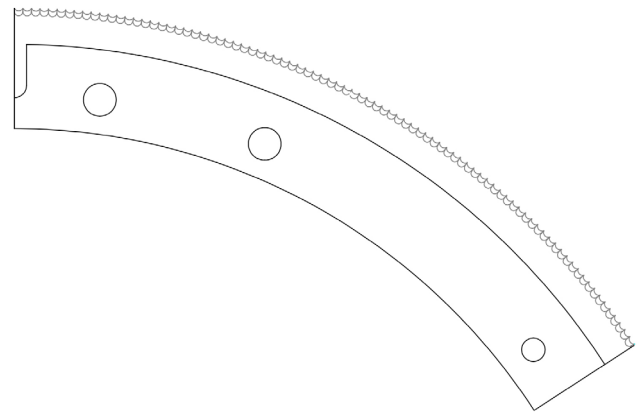
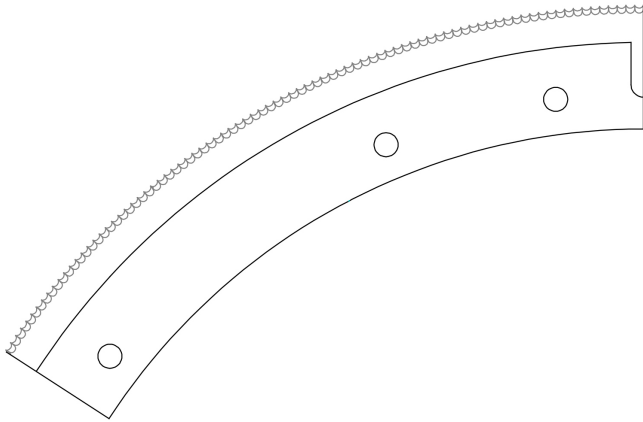
CR #	DESCRIPTION	OEM #
CR-99619	12" SERRATED TRAIL	300.300.232



CR #	DESCRIPTION
CR-99742	9" SERRATED LEAD

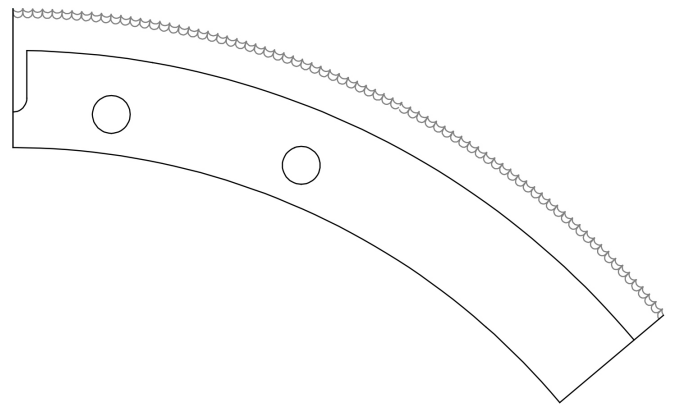
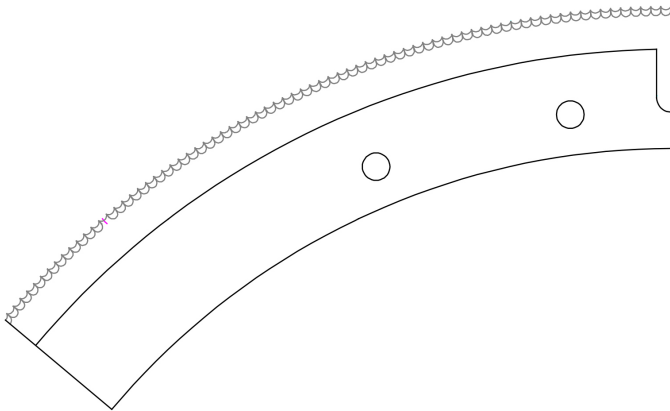
CR #	DESCRIPTION
CR-99743	9" SERRATED TRAIL

50" TECASA TAB CUTTER KNIVES



CR #	DESCRIPTION
CR-99740	8" SERRATED LEAD

CR #	DESCRIPTION
CR-99741	8" SERRATED TRAIL



CR #	DESCRIPTION
CR-99738	7" SERRATED LEAD

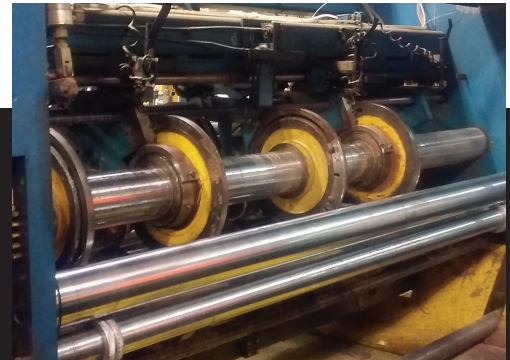
CR #	DESCRIPTION
CR-99739	7" SERRATED TRAIL

FROM START TO FINISH

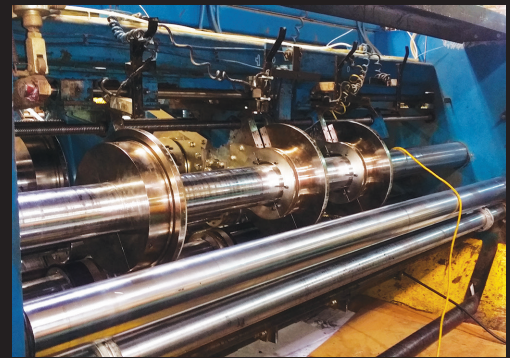
- More than just a company that rebuilds.
- More than Just parts.
- A commitment from start to finish.
- Satisfaction Guaranteed!

- Consultation by a team of dedicated, experienced field service technicians
- Provide detailed comprehensive parts data and quote
- Work side-by-side with On Site Training

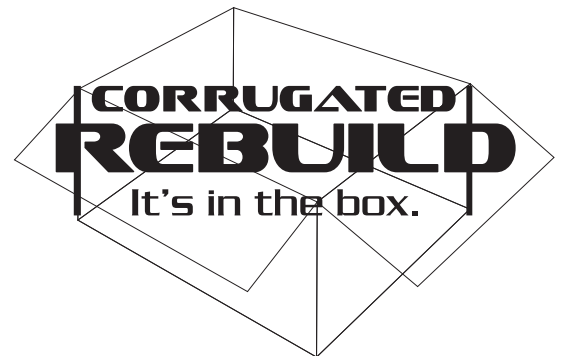
Restore quality, increase production, save money. Call Corrugated Rebuild TODAY!



BEFORE



AFTER



706.781.4520 | Fax: 706.781.6649
linzie.oney@corrugatedrparts.com