



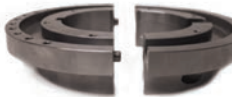
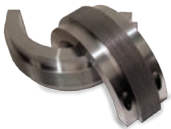
**CORRUGATED
REPLACEMENTS, INC.**
PRECISION PARTS. PRECISION MANUFACTURING.

Ward



REPLACEMENT PARTS

2021



161 Lee Industrial Dr.
Blairsville, GA 30512



p: 800.969.0881
f: 706.781.6649



corrugatedparts.com



sales@corrugatedparts.com

TABLE OF CONTENTS



PG	DESCRIPTION
1	ABOUT
2	WARD 37 1/2" 11000 SPLIT HEADS
3	WARD 37 1/2" 11500 SPLIT HEADS
6	WARD 50" 12000 NC SPLIT HEADS
14	WARD 66" 15000 & 17000 NC SPLIT HEADS
23	WARD 17" 19000 SPLIT HEADS
24	URETHANE SCORE COVERS
25	WARD STRIPPERS
26	OTHER PARTS
31	WARD DOVETAIL ASSEMBLY
BACK	REBUILD



FIRST STOP PARTS SHOP FOR WARD

- **Make us your first stop your only stop for replacement Ward parts.**
- **Providing parts to exacting specifications of OEM Ward products.**

SERVICE WORLD WIDE

- **American owned, Globally Served**
- **We offer world wide service with a focus on speed, service and satisfaction.**

24-HOUR EMERGENCY SERVICE

- **When it counts, “We Deliver.”**
- **Today, tomorrow, it doesn’t matter. We get it where you need it, when you need it.**

PIN POINT ACCURACY

- **Its made to extreme degrees of accuracy. It’s what we do, and why customers keep coming back.**

SALES DEPARTMENT

- **If you have questions or need help with a part, please contact our friendly and helpful sales department. They will be glad to assist you in all your corrugated parts needs.**



WARD 37 1/2" 11000 SPLIT HEADS

PART NUMBER	DESCRIPTION
CR-411353-HK	MALE STITCH HEAD
CR-45026-K	STITCH BLOCK TRAILING
CR-45027-K	STITCH BLOCK LEADING
CR-411200-HSK	FEMALE STITCH HEAD
CR-411033-H1K	MALE SLOTTER HEAD (2ND & 3RD)
CR-411036-H1K	MALE SLOTTER HEAD (CENTER)
CR-411034-HSK	FEMALE SLOTTER HEAD (2ND & 3RD)
CR-411037-HSK	FEMALE SLOTTER HEAD (CENTER)
CR-411019-H1K	MALE SCORE HEAD
CR-411022-HK	MALE SCORE HEAD (CENTER)
CR-411020-H1K	FEMALE SCORE HEAD
CR-411023-H1K	FEMALE SCORE HEAD (CENTER)
CR-454896	URETHANE SCORE COVERS (SPECIFY DUROMETER)
CR-411508-HK	TRIM HEAD
CR-411462-H1K	TRIM HEAD



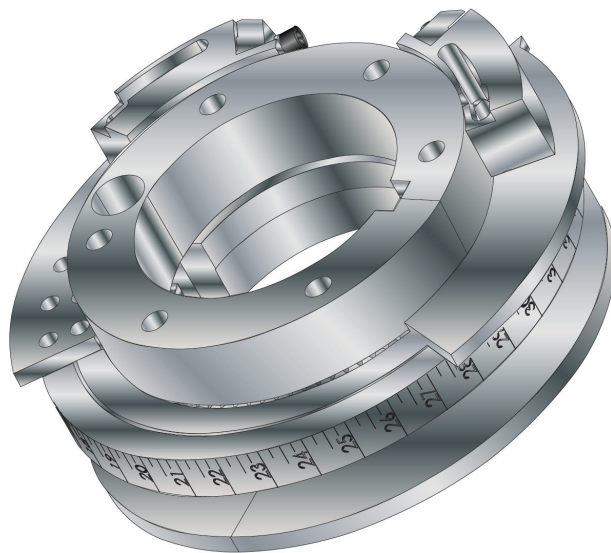
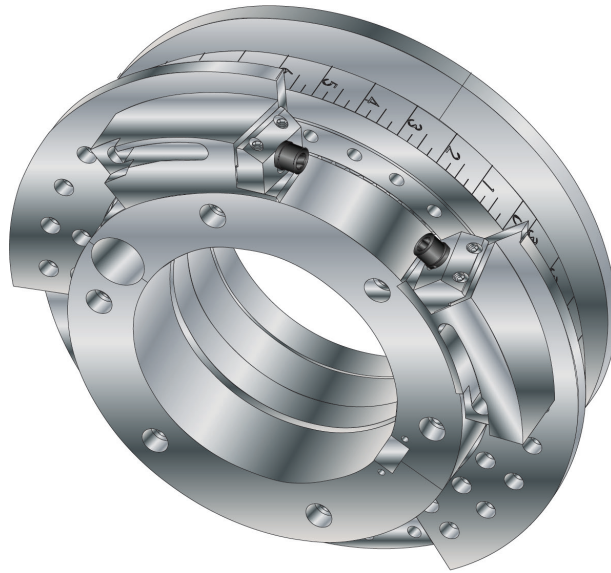
WARD 37 1/2" 11500 SPLIT HEADS

PART NUMBER	DESCRIPTION
CR-411353-HK	MALE STITCH HEAD
CR-45026-K	STITCH BLOCK TRAILING
CR-45027-K	STITCH BLOCK LEADING
CR-411035-HSK	FEMALE STITCH HEAD
CR-411033-H1K	MALE SLOTTER HEAD (2ND & 3RD)
CR-411036-H1K	MALE SLOTTER HEAD (CENTER)
CR-411034-HSK	FEMALE SLOTTER HEAD (2ND & 3RD)
CR-411037-HSK	FEMALE SLOTTER HEAD (CENTER)
CR-411019-H1K	MALE SCORE HEAD
CR-411022-HSK	MALE SCORE HEAD (CENTER)
CR-411020-H1K	FEMALE SCORE HEAD
CR-411023-H1K	FEMALE SCORE HEAD (CENTER)
CR-411508-HK	LOWER TRIM HEAD
CR-411462-H1K	UPPER TRIM HEAD
CR-5915-PR	CRUSH COLLAR
CR-450027-K	BALL SCREW ASSEMBLY
CR-45046	CARBON BUTTON
CR-450195	KEY
CR-45928	BLANKING PLATE VACUUM
CR-450280	STEEL ANVIL
CR-45496-K	SPLINE SHAFT

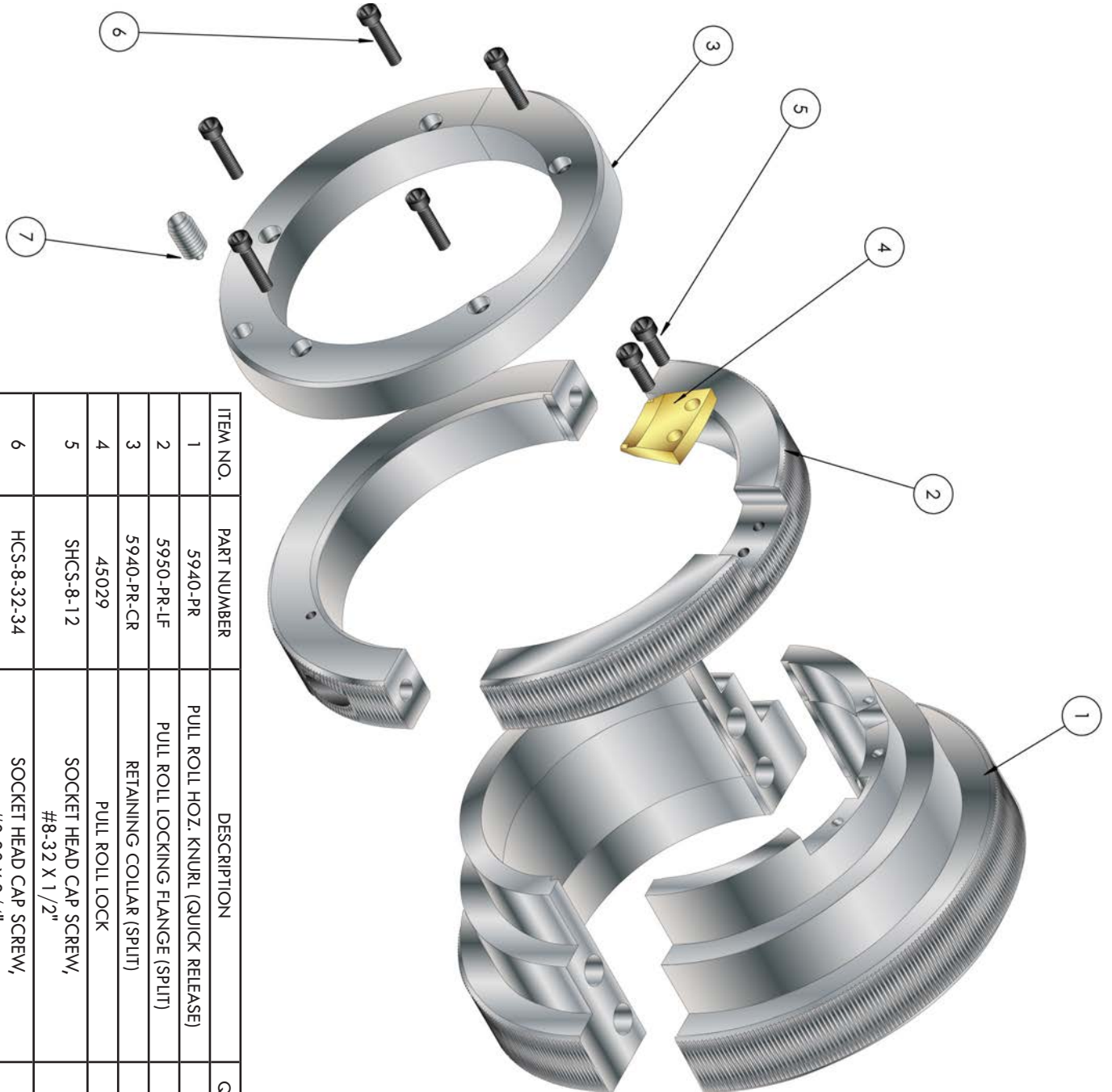
Please Note: Direct Replacement Parts



STITCH HEAD ASSEMBLY 37 1/2" WARD CR-411252-HK



QUICK RELEASE PULL ROLL 37 1/2" & 50" WARD CR-5940-PRQK



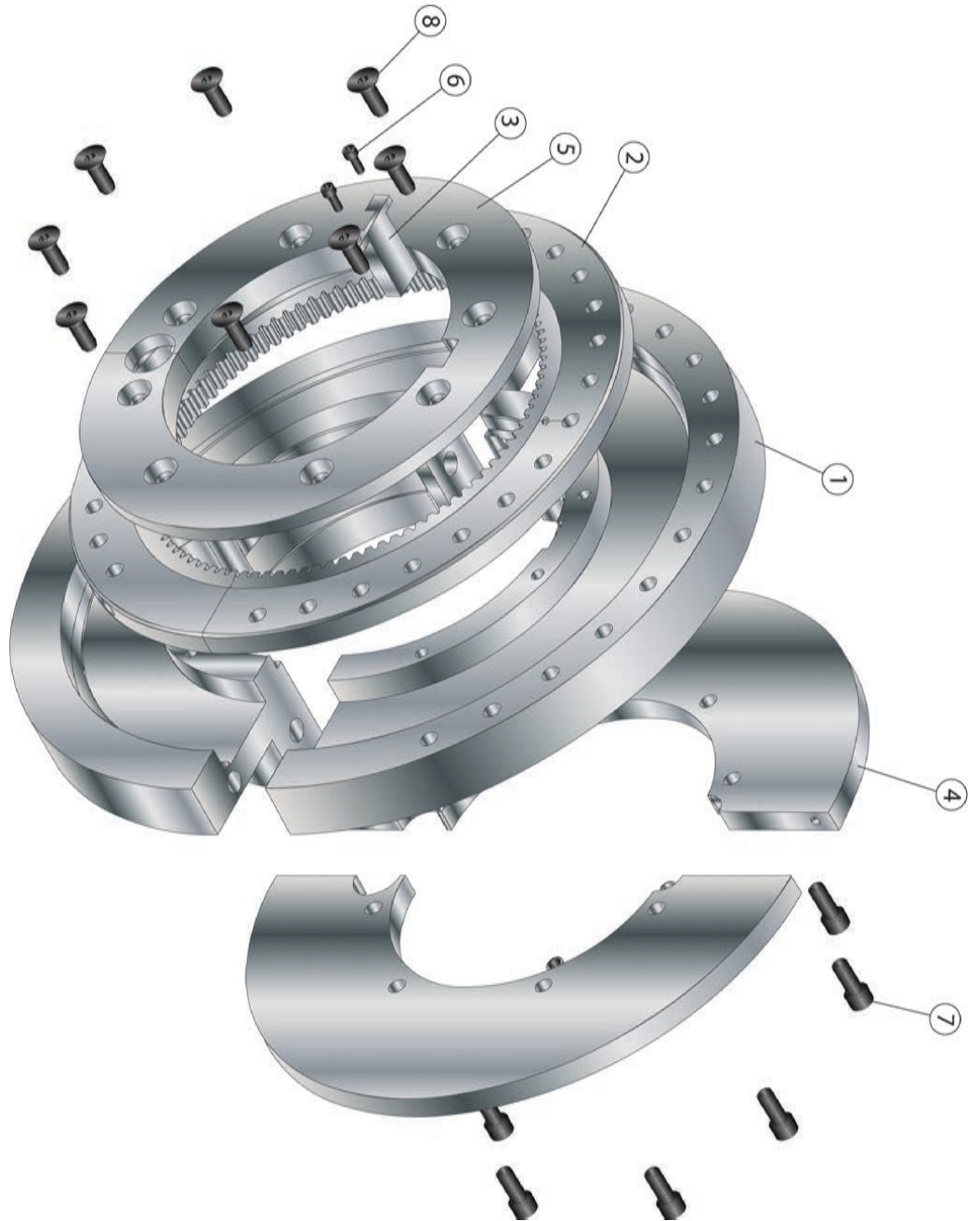
ITEM NO.	PART NUMBER	DESCRIPTION	QTY.
1	5940-PR	PULL ROLL HOZ. KNURL (QUICK RELEASE)	1
2	5950-PR-LF	PULL ROLL LOCKING FLANGE (SPLIT)	1
3	5940-PR-CR	RETAINING COLLAR (SPLIT)	1
4	45029	PULL ROLL LOCK	1
5	SHCS-8-12	SOCKET HEAD CAP SCREW, #8-32 X 1/2"	2
6	HCS-8-32-34	SOCKET HEAD CAP SCREW, #8-32 X 3/4"	5
7	3126A55	SPRING PLUNGER	1

WARD 50" 12000 NC SPLIT HEADS

PART NUMBER	DESCRIPTION
CR-411183-HK	MALE STITCH HEAD
CR-45594-TK	STITCH BLOCK TRAILING
CR-45594-LK	STITCH BLOCK LEADING
CR-411160-HK	FEMALE STITCH HEAD
CR-410825-HK	MALE SLOTTER HEAD (2ND & 3RD)
CR-411184-HK	MALE SLOTTER HEAD (CENTER)
CR-411161-HK	FEMALE SLOTTER HEAD
CR-411162-HK	FEMALE SLOTTER HEAD (CENTER)
CR-45508	URETHANE SCORE COVER (SPECIFY DUROMETER)
CR-411410-HK	MALE SCORE HEAD (1ST, 2ND, & 3RD)
CR-411411-HK	MALE SCORE HEAD (CENTER)
CR-411483-HSK	FEMALE SCORE HEAD
CR-411320-H1K	FEMALE SCORE HEAD (CENTER)
CR-411887-HK	UPPER TRIM HEAD
CR-411238-HK	LOWER TRIM HEAD
5512-PR	CRUSH COLLAR
CR-45909-K	BALL SCREW ASSEMBLY
CR-45377	CARBON BUTTON
CR-450033	STEEL ANVIL
CR-45836	PENTON SHAFT

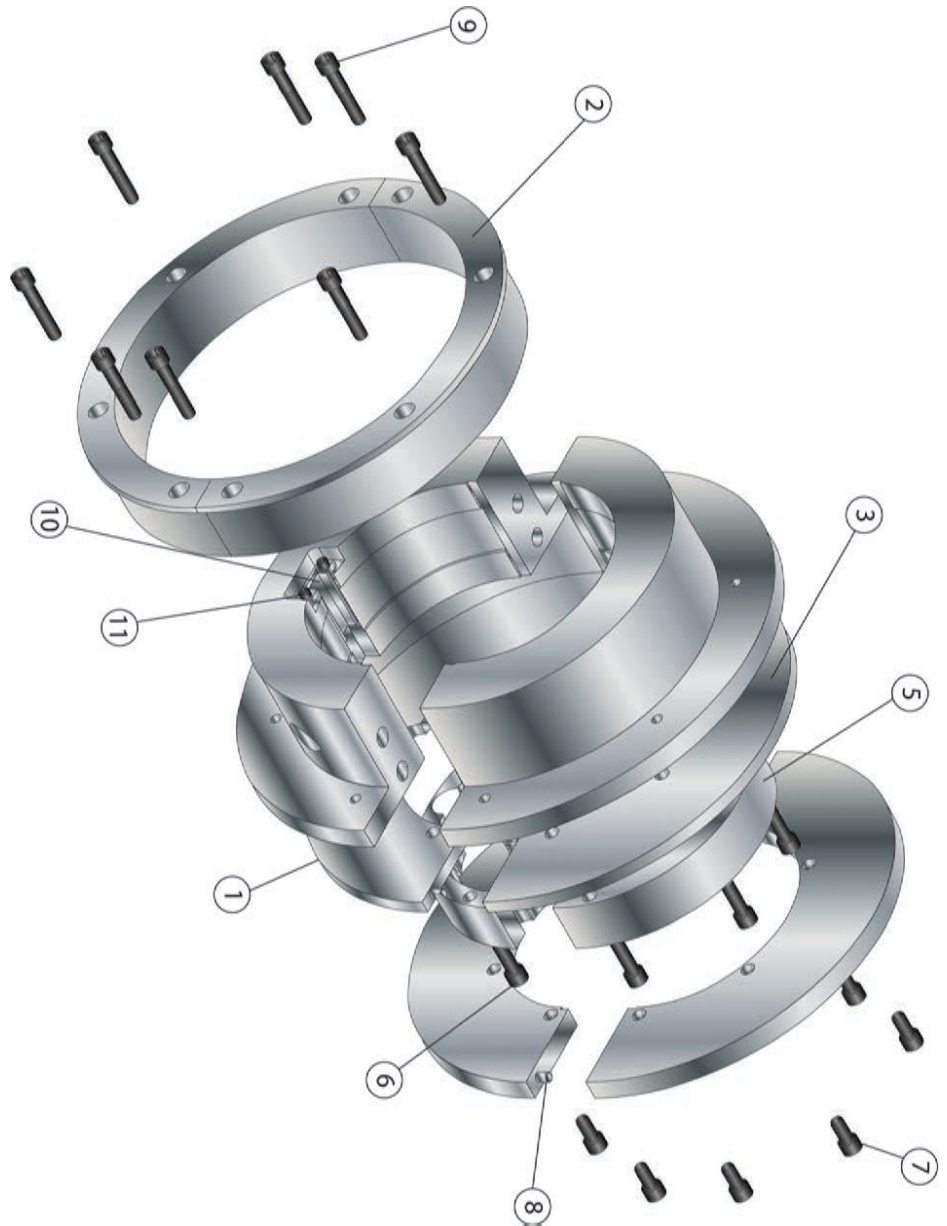
MALE SLOTTER HEAD 50" WARD CR-410825-HK

ITEM NO.	PART NUMBER	DESCRIPTION	QTY.
1	CR-410825-H	MALE SLOTTER HEAD (2ND/3RD HEADS)	1
2	CR-45167-S	INTERNAL GEAR, SLOTTER HEAD (95T)	1
3	CR-45455	REPLACEABLE KEYWAY INSERT	1
4	CR-410825-R	WEAR PLATE	1
5	CR-40825-R1	HUB, STITCH HEAD	1
6	SHCS-38-12	#10-32X 1/2LG. SHCS	2
7	SHCS-38-78	3/8-16 X 7/8LG SHCS	8
8	FHCS-38-1	3/8-16 X 1" LG. FHCS	8



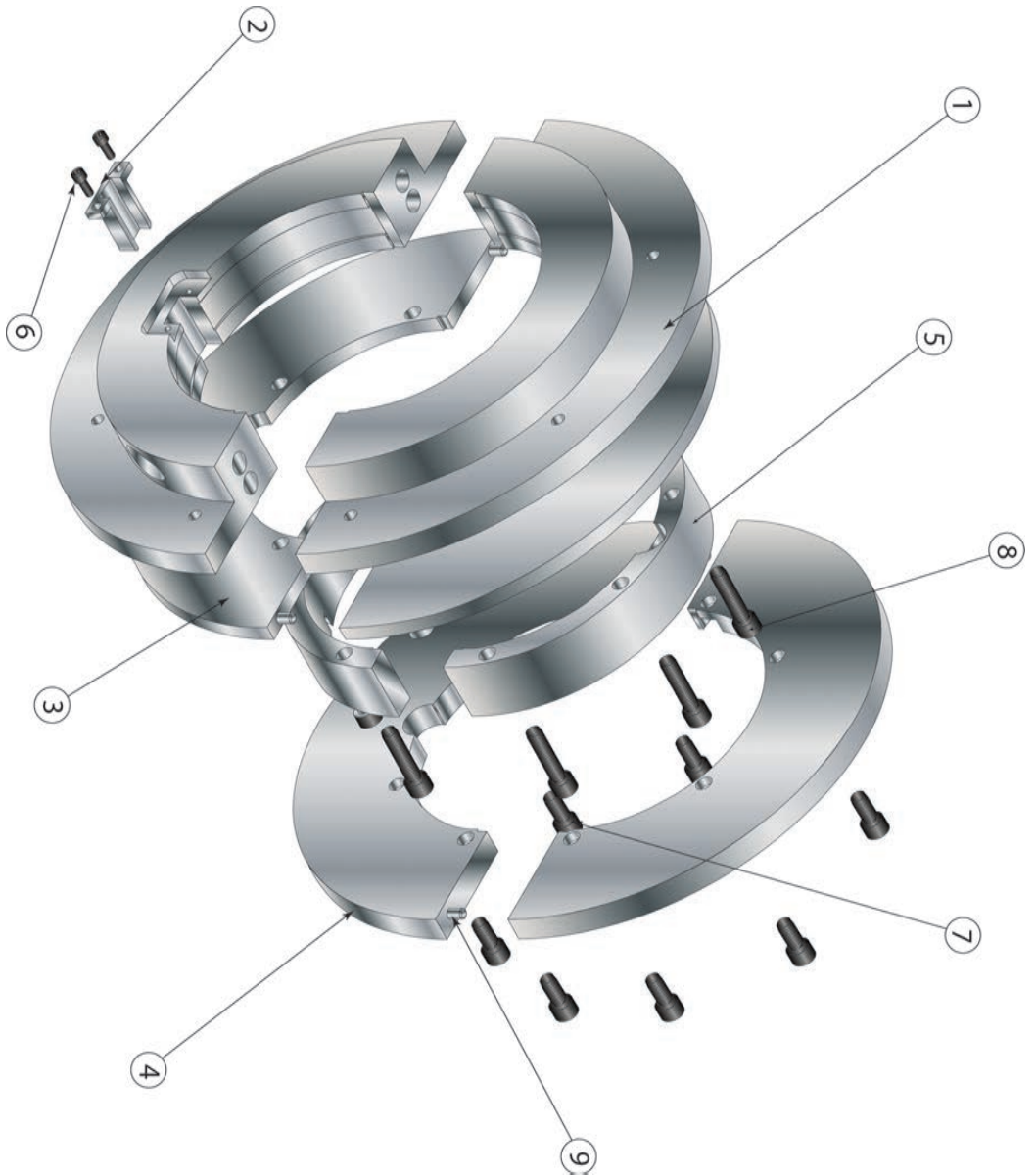
FEMALE STITCH HEAD 50" WARD CR-411160-HK

ITEM NO.	PART NUMBER	DESCRIPTION	QTY.
1	CR-411160-H	FEMALE STITCH HEAD	1
2	CR-410712-R	RETAINING RING, ANVIL COVER	1
3	CR-411160-R4	WEAR PLATE	1
4	CR-411160-R5	WEAR PLATE	1
5	CR-411160-R6	SPACER, WEAR PLATE	1
6	SHCS-38-112	3/8-16UNC X 1 1/2 LG SHCS	8
7	SHCS-38-34	3/8-16 X 3/4LG SHCS	8
8	DL-14-34	Ø1/4 X 3/4LG DOWEL PIN	4
9	SHCS-38-2	3/8-16 X 2" LG SHCS	8
10	CR-45455	REPLACEABLE KEYWAY INSERT	1
11	SHC-10-32-58	#10-32 X 5/8LG. SHCS	2



FEMALE SLOTTER HEAD (KIT) 50" WARD CR-411161-HK

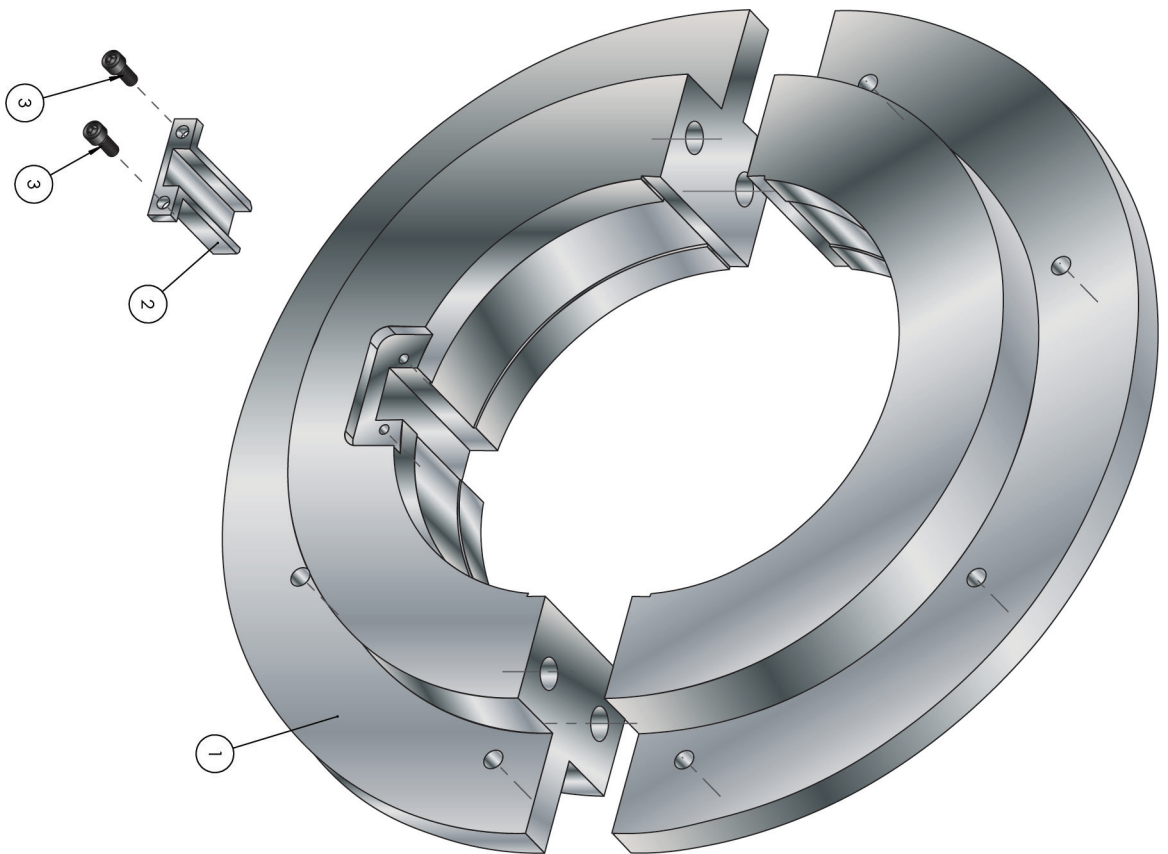
ITEM NO.	PART NUMBER	DESCRIPTION	QTY.
1	CR-411161-H	FEMALE SLOTTER HEAD	1
2	CR-411161-T	REPLACEABLE KEYWAY INSERT	1
3	CR-11160-R4	WEAR PLATE	1
4	CR-11160-R5	WEAR PLATE	1
5	CR-411160-R6	SPACER, WEAR PLATE	1
6	SHCS-10-21-12	#10-32 X 1/2LG. SHCS	2
7	SHCS-38-34	3/8-16 X 3/4G. SHCS	8
8	SHCS-38-112	3/8-16 UNC X 1 1/2"LG. SHCS	8
9	DP-14-34	Ø1/4 X 3/4"LG./DOWEL PIN	4



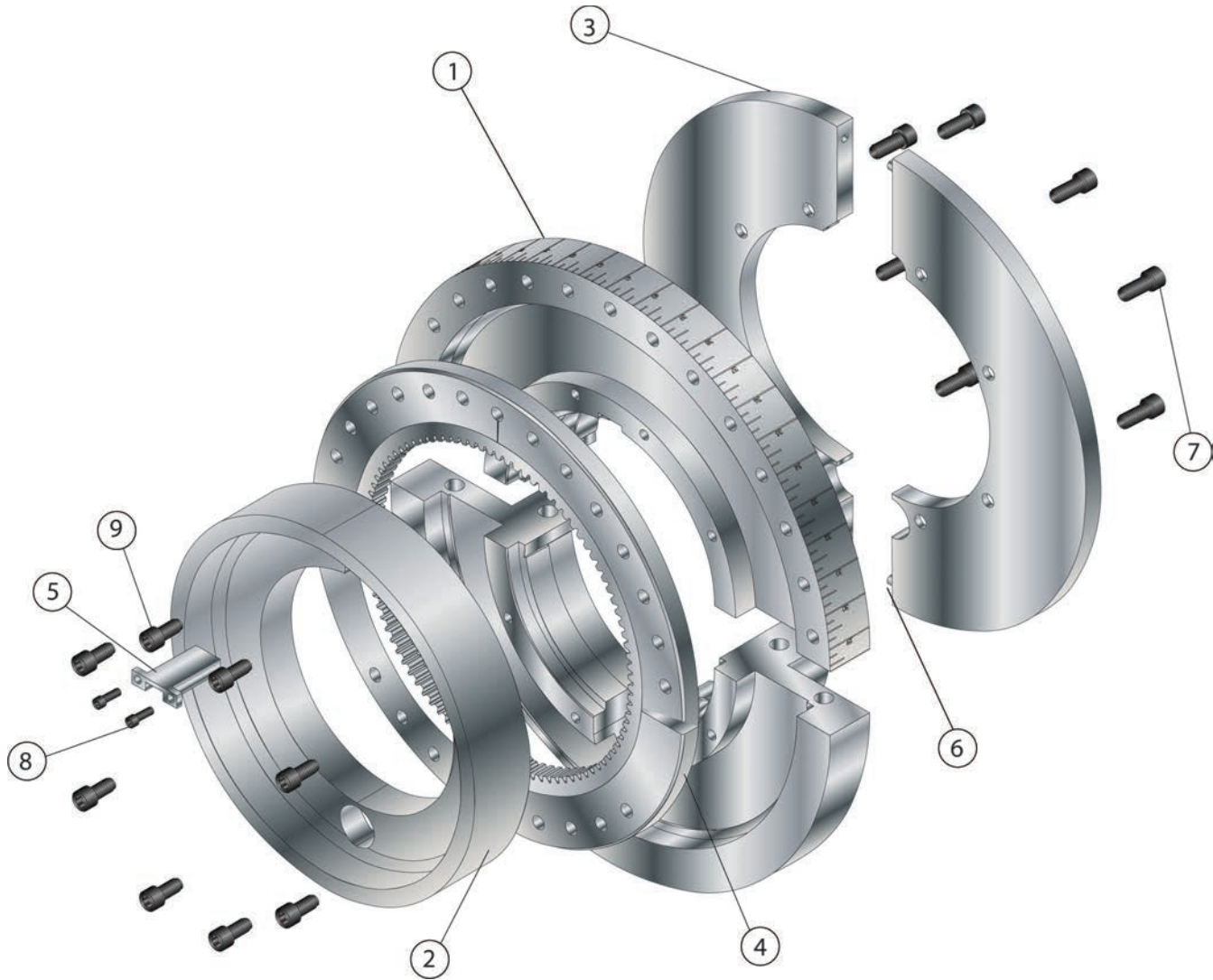
FEMALE SLOTTER HEAD 50" WARD CR-411162-HK



ITEM NO.	PART NUMBER	DESCRIPTION	QTY.
1	411162-H	FEMALE SLOTTER HEAD	1
2	CR-45455	REPLACABLE KEYWAY INSERT	1
3	SHCS-10-32-12	SOCKET HD. CAP SCREW, # 10-32 X 1/2LG.	2



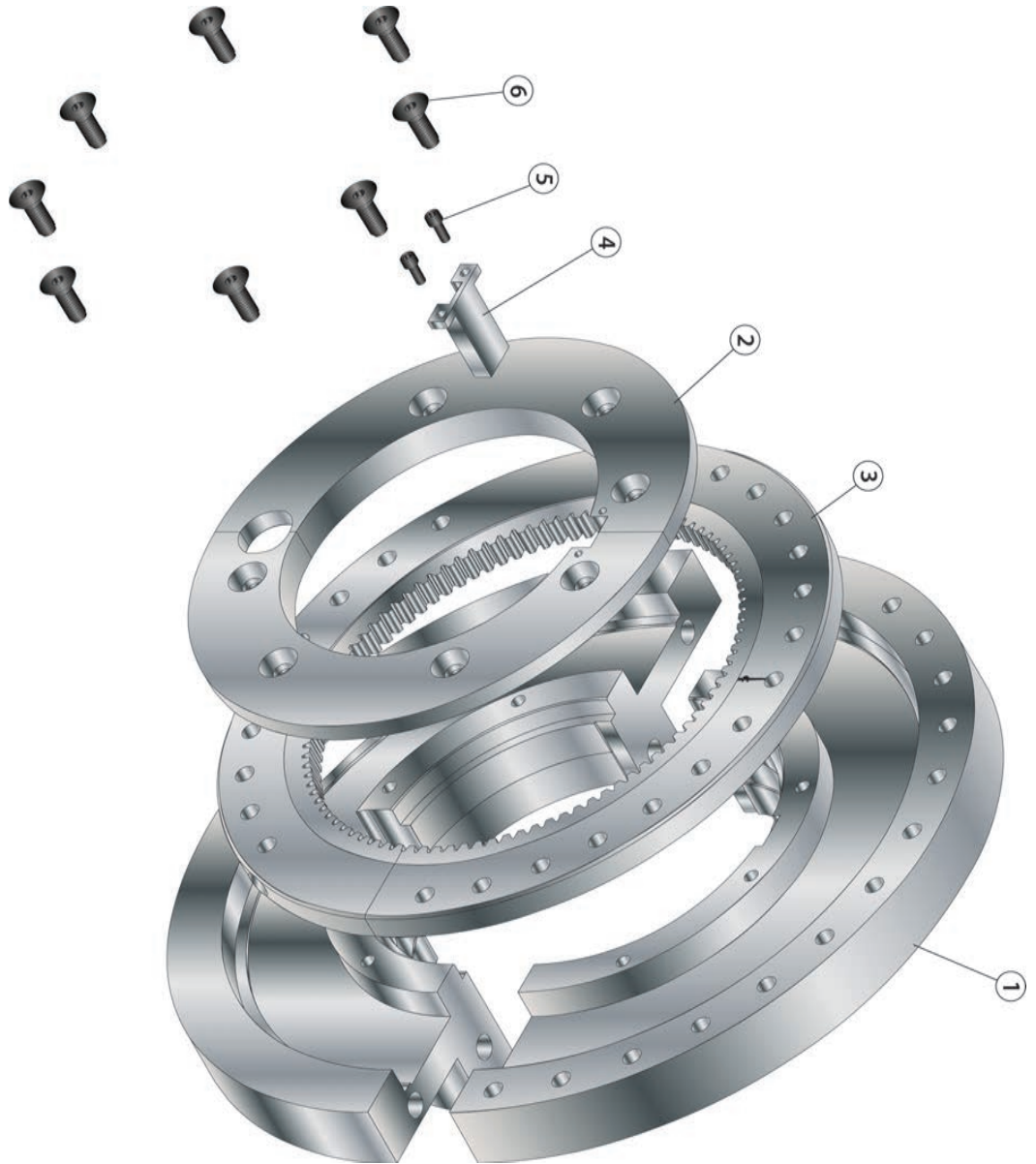
MALE STITCH HEAD 50" WARD (MODEL 12) CR-411183-HK



ITEM NO.	PART NUMBER	DESCRIPTION	QTY.
1	CR-411183-H	MALE STITCH HEAD	1
2	CR-411183-R	HUB, STITCH HEAD	1
3	CR-410825-R	WEAR PLATE	1
4	CR-45167-S	INTERNAL GEAR, SLOTTERHEAD (95T)	1
5	CR-45455	REPLACEABLE KEYWAY INSERT	1
6	DP-14-34	Ø1/4 X 34"LG. DOWEL PIN	2
7	SHCS-38-78	3/8-16X7/8LG. SHCS	8
8	SHCS-10-32-58	#10-32X5/8"LG. SHCS	2
9	SHCS-38-34	3/8-16 X 3/4LG SHCS	8

MALE SLOTTER HEAD 50" WARD (CENTER) CR-411184-HK

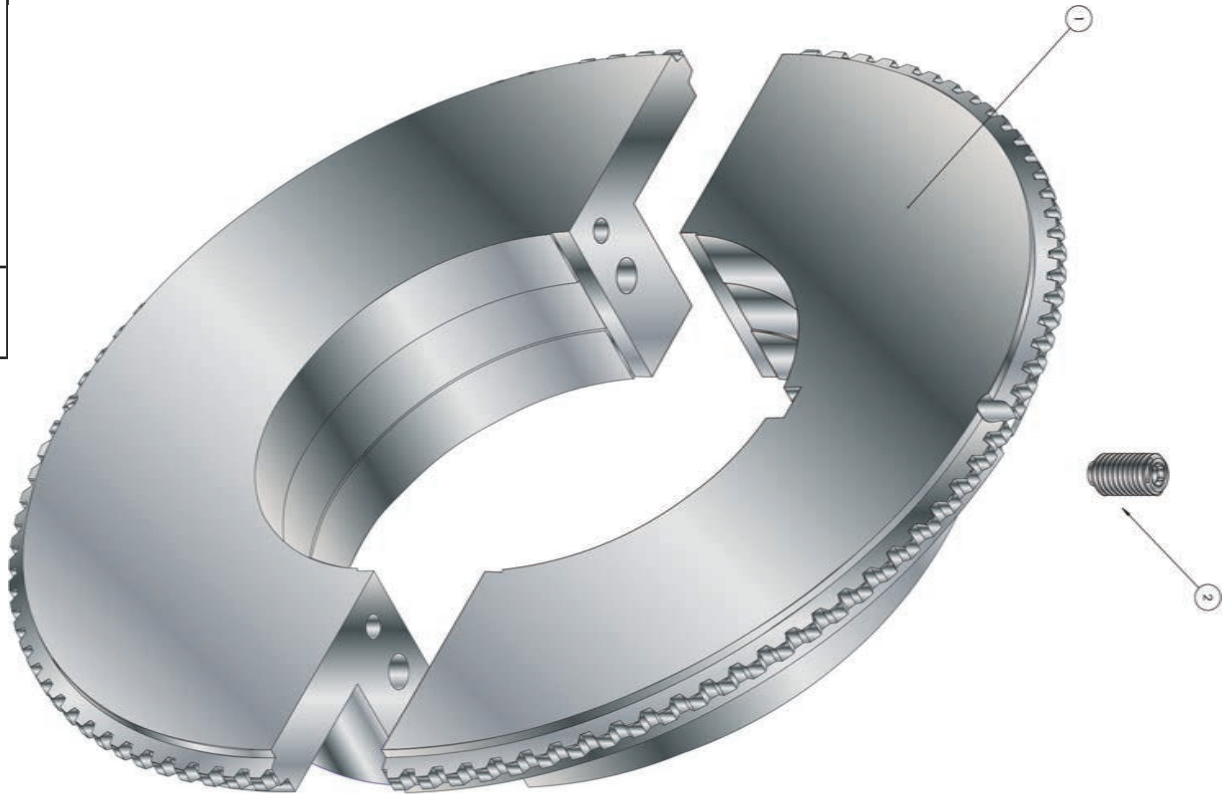
ITEM NO.	PART NUMBER	DESCRIPTION	QTY.
1	CR-411184-HK	MALE SLOTTER HEAD	1
2	CR-410825-R1	HUB, STITCH HEAD	1
3	CR-45167-S	INTERNAL GEAR, SLOTTER HEAD (9.5T)	1
4	CR-45455	REPLACEABLE KEYWAY INSERT	1
5	SHCS-10-32-12	#10-32 X 1/2LG. SHCS	2
6	FHCS-38-1	3/8-16 X 1"LG. FHCS	8



FEMALE SCORE HEAD 50" WARD (KIT) 12000 CR-411320-HK

ITEM NO.	PART NUMBER	DESCRIPTION	QTY.
1	CR-411320-H	FEMALE SCORE HEAD	1
2	BTSS-58-1	5/8-11 X 1" LG. BTSS	1

NOTES:
1. SUPPLY (1) CR-45509 URETHANE COVER (NOT SHOWN)



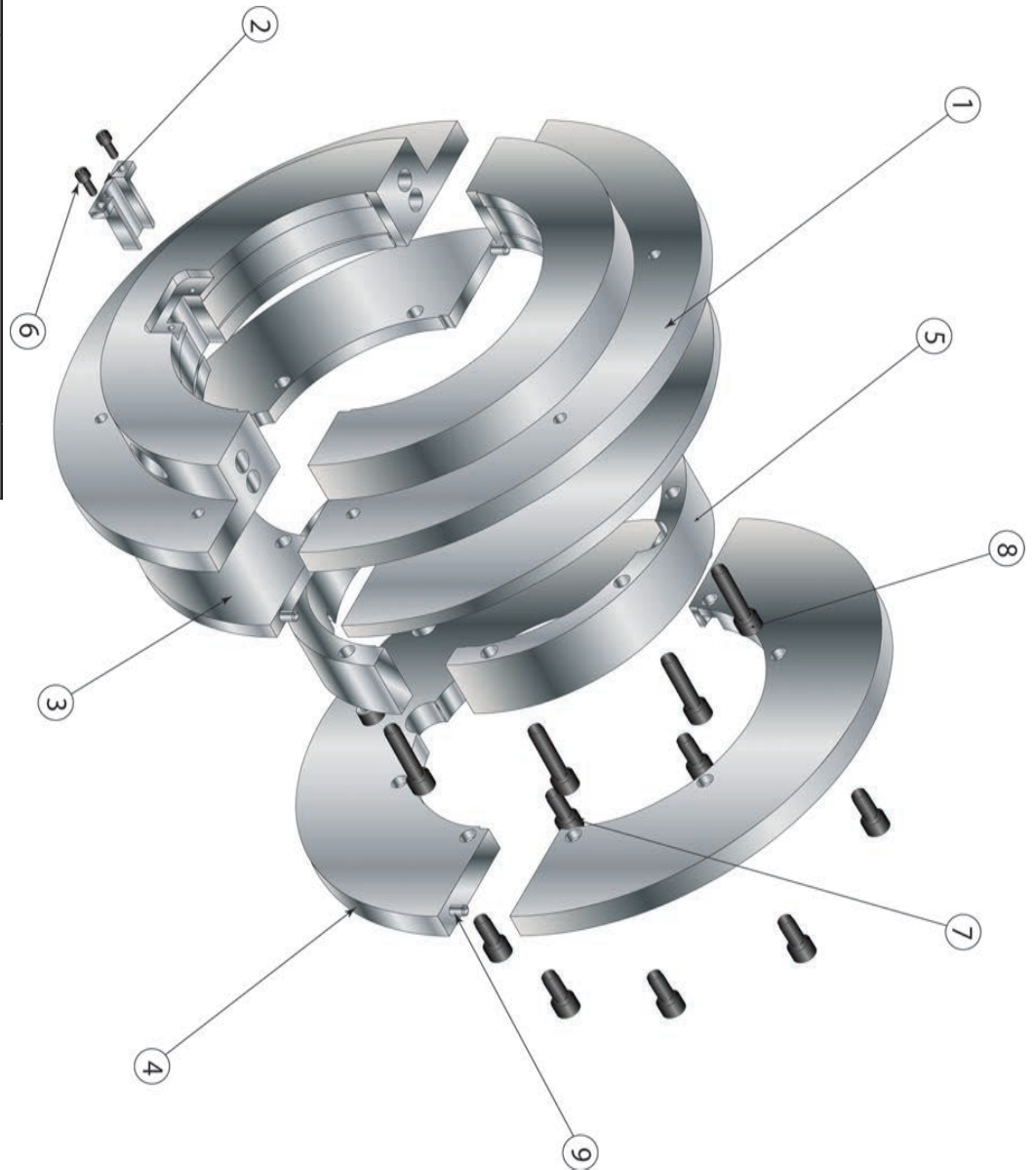
WARD 66" 15000 & 16000 NC SPLIT HEADS

PART NUMBER	DESCRIPTION
CR-411222-HK	MALE STITCH HEAD
CR-45785-TK	STITCH BLOCK TRAILING
CR-45785-LK	STITCH BLOCK LEADING
CR-411160-HK	FEMALE STITCH HEAD
CR-411298-HK	MALE SLOTTER HEAD (2ND & 3RD)
CR-411299-HK	MALE SLOTTER HEAD (CENTER)
CR-411161-HK	FEMALE SLOTTER HEAD (1ST, 2ND & 3RD)
CR-411162-HK	FEMALE SLOTTER HEAD (CENTER)
CR-411451-HK	MALE SCORE HEAD (1ST, 2ND & 3RD)
CR-411452-HK	MALE SCORE HEAD (CENTER)
CR-411454-HK	FEMALE SCORE HEAD
CR-411453-HK	FEMALE SCORE HEAD (2ND & 3RD)
CR-45845	URETHANE SCORE COVER (SPECIFY DUROMETER)
CR-411237-HK	TRIM HEAD UPPER
CR-411238-HK	TRIM HEAD LOWER
CR-6058-PR	CRUSH COLLAR
CR-450245-K	BALL SCREW ASSEMBLY
CR-45377	CARBON BUTTON
CR-450033	STEEL ANVIL
CR-45846	PENTON SHAFT



FEMALE SLOTTER HEAD (KIT) 50" WARD CR-411161-HK

ITEM NO.	PART NUMBER	DESCRIPTION	QTY.
1	CR-411161-H	FEMALE SLOTTER HEAD	1
2	CR-411161-T	REPLACEABLE KEYWAY INSERT	1
3	CR-11160-R4	WEAR PLATE	1
4	CR-11160-R5	WEAR PLATE	1
5	CR-411160-R6	SPACER, WEAR PLATE	1
6	SHCS-10-21-12	#10-32 X 1/2LG. SHCS	2
7	SHCS-38-34	3/8-16 X 3/4G. SHCS	8
8	SHCS-38-112	3/8-16 UNC X 1 1/2"LG. SHCS	8
9	DP-14-34	Ø1/4 X 3/4"LG./DOWEL PIN	4



FEMALE SCORE HEAD (KIT) 66" WARD CR-411454-HK

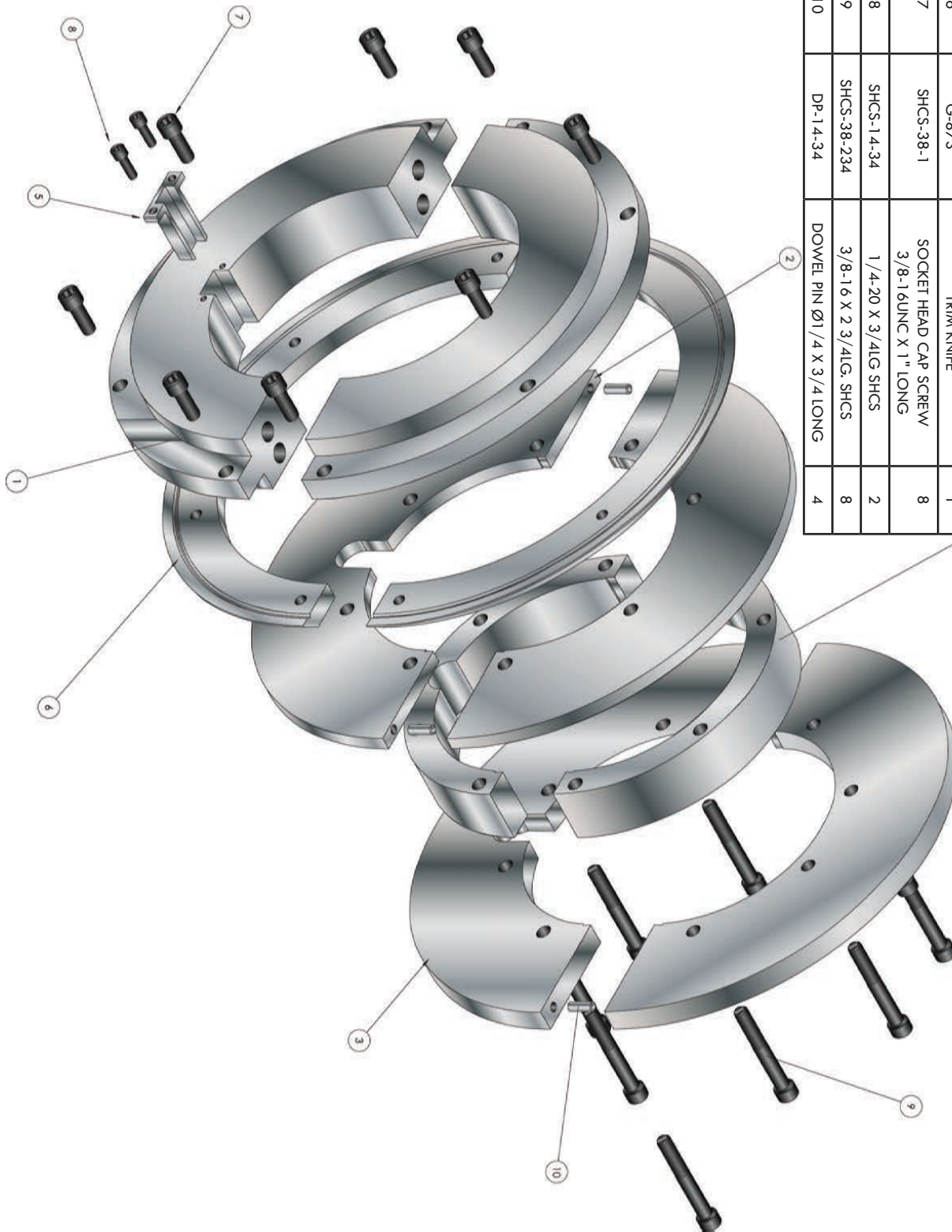
ITEM NO.	PART NUMBER	DESCRIPTION	QTY.
1	CR-411454-H	FEMALE SCORE HEAD (CENTER)	1
2	CR-45455	REPLACEABLE KEYWAY INSERT	1
3	SHCS-10-32-58	#10-32 X 5/8LG. SHCS	2
4	CR-411453-R	FEMALE SCORE RING	1
5	SHCS-38-78	3/8-16 X 7/8LG. SHCS	10

ADDITIONAL COMPONENT (NOT SHOWN)		QTY.
PART NO.	DESCRIPTION	
CR-45845	SCORE COVER	1



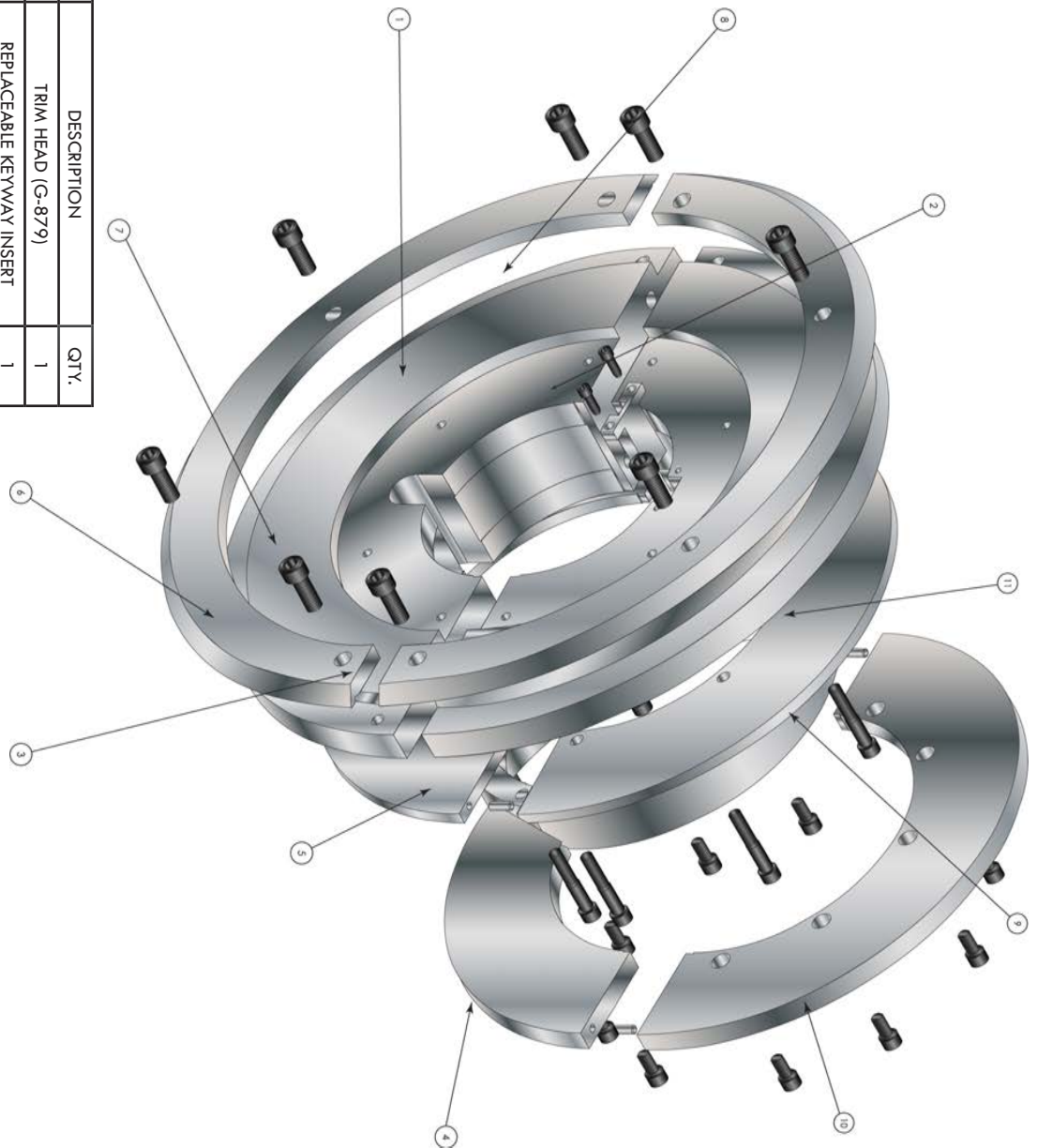
TRIM HEAD ASSEMBLY 66" WARD CR-411238-HK

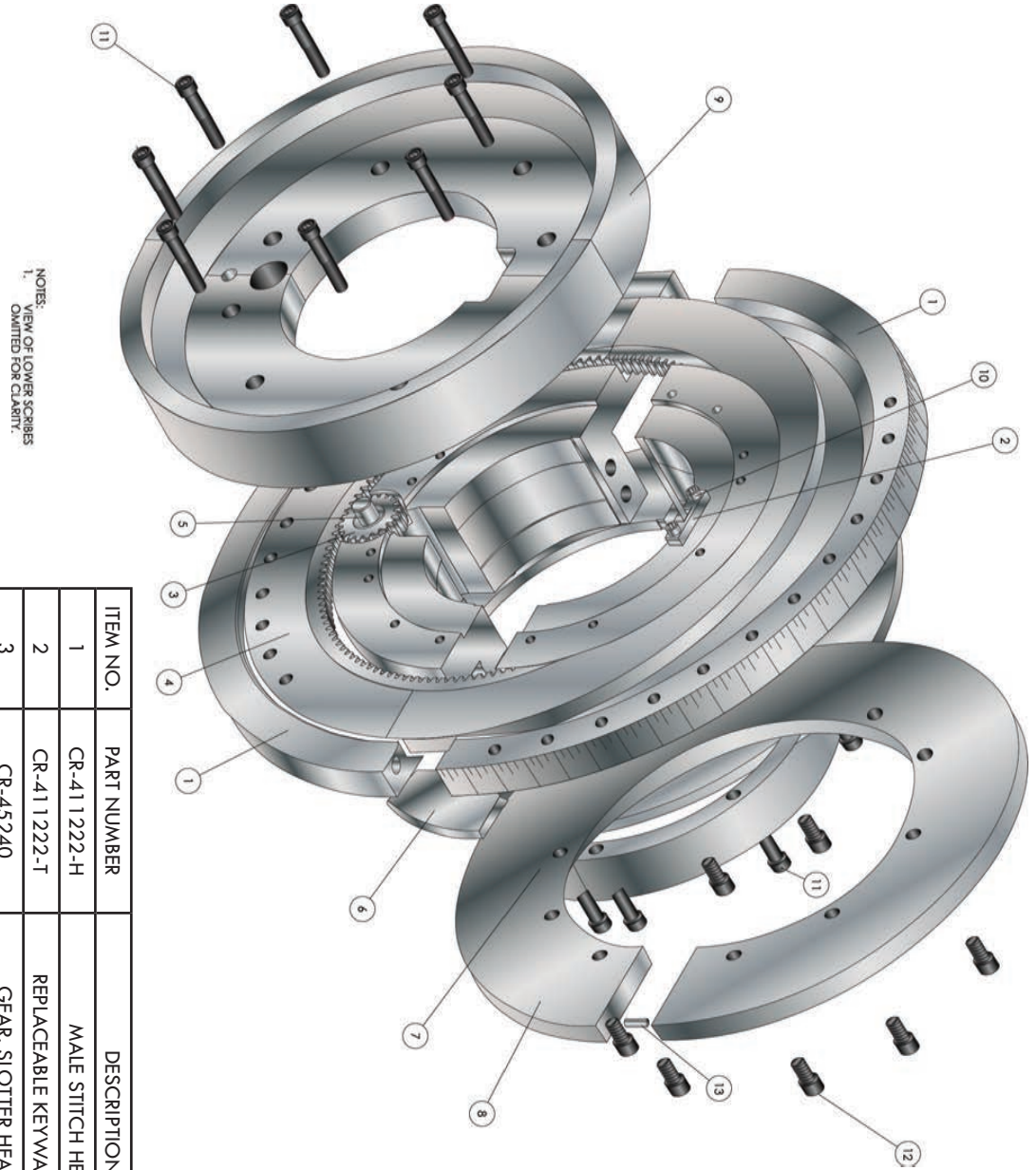
ITEM NO.	PART NUMBER	DESCRIPTION	QTY.
1	CR-411238-H	TRIM HEAD	1
2	CR-411160-R1	WEAR PLATE	1
3	CR-411160-R2	WEAR PLATE	1
4	CR-411160-R3	SPACER, WEAR PLATE	1
5	CR-45455	REPLACEABLE KEYWAY INSERT	1
6	G-873	TRIM KNIFE	1
7	SHCS-38-1	SOCKET HEAD CAP SCREW 3/8-16UNC X 1" LONG	8
8	SHCS-14-34	1/4-20 X 3/4LG SHCS	2
9	SHCS-38-234	3/8-16 X 2 3/4LG SHCS	8
10	DP-14-34	DOWEL PIN Ø1/4 X 3/4 LONG	4



TRIM HEAD (G-879) 66" WARD CR-411237-HK

ITEM NO.	PART NUMBER	DESCRIPTION	QTY.
1	CR-411237-H	TRIM HEAD (G-879)	1
2	CR-411222-T	REPLACEABLE KEYWAY INSERT	1
3	CR-411222-R2	WEAR PLATE	1
4	CR-411222-R4	WEAR PLATE	1
5	CR-411222-R3	SPACER, WEAR PLATE	1
6	G-879	TRIM KNIFE	1
7	SHCS-12-114	1/4-20 X 3/4LG. SHCS	8
8	SHCS-14-34	1/4-20 X 3/4LG. SHCS	2
9	SHCS-38-214	3/8-16 X 2 1/4LG. SHCS	8
10	SHCS-38-34	3/8-16 X 3/4LG. SHCS	10
11	D-14-34	Ø1/4 X 3/4"LG. DOWEL PIN	4



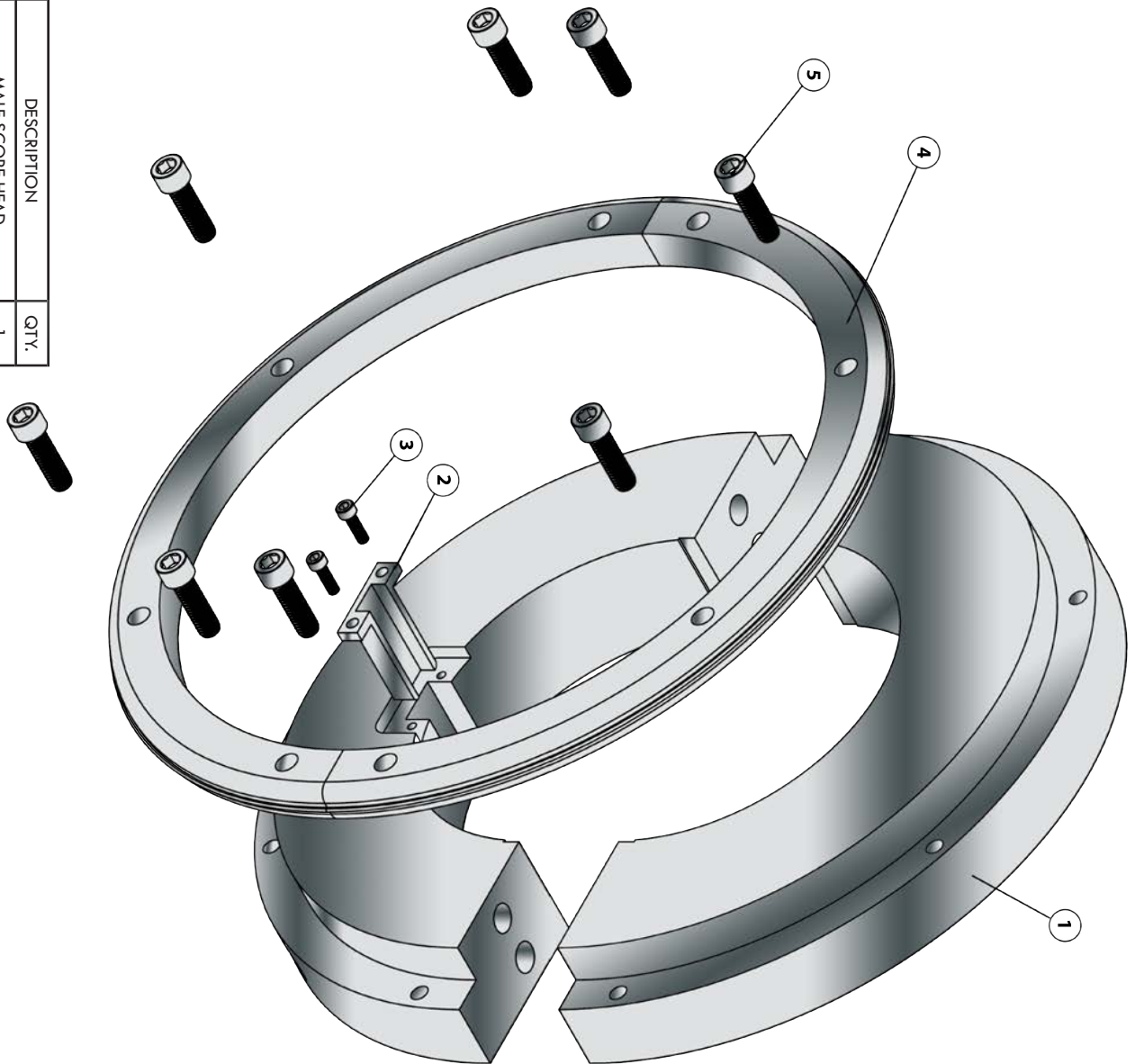


NOTES:
VIEW OF LOWER SCRIBES
1. OMITTED FOR CLARITY.

ITEM NO.	PART NUMBER	DESCRIPTION	QTY.
1	CR-411222-H	MALE STITCH HEAD	1
2	CR-411222-T	REPLACEABLE KEYWAY INSERT	1
3	CR-452240	GEAR, SLOTTED HEAD (19T)	1
4	CR-45532-S	INTERNAL GEAR, SLTR. HD. SPLIT (135T)	1
5	CR-411222-P	PIN, SLOTTED HEAD	1
6	CR-411222-R2	WEAR PLATE	1
7	CR-411222-R3	SPACER, WEAR PLATE	1
8	CR-411222-R4	WEAR PLATE	1
9	CR-411222-R1	RETAINING RING	11
10	SHCS-14-34	1/4-20 X 3/4G. SHCS	2
11	SHCS-38-214	3/8-16 X 2 1/4LG. SHCS	16
12	SHCS-38-34	3/8-16 X 3/4LG. SHCS	10

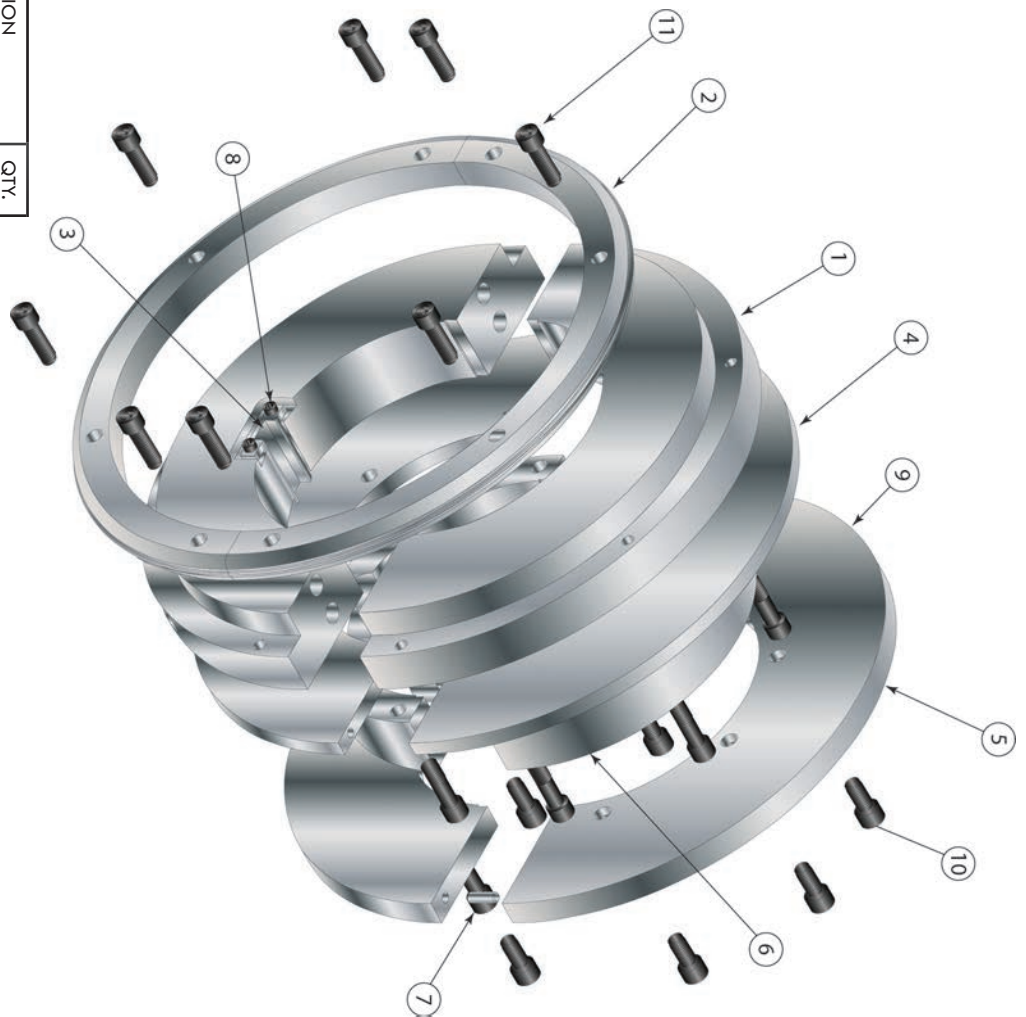
MALE SCORE HEAD (KIT) 66" WARD CR-411452-HK

ITEM NO.	PART NUMBER	DESCRIPTION	QTY.
1	CR-411452-H	MALE SCORE HEAD	1
2	CR-45455	REPLACABLE KEYWAY INSERT	1
3	SHCS-10-32-58	#10-32 X 5/8LG. SHCS	2
4	CR-411451-R	MALE SCORE RING	1
5	SHCS-38-114	3/8-16 x 1-1/4"LG. SHCS	8



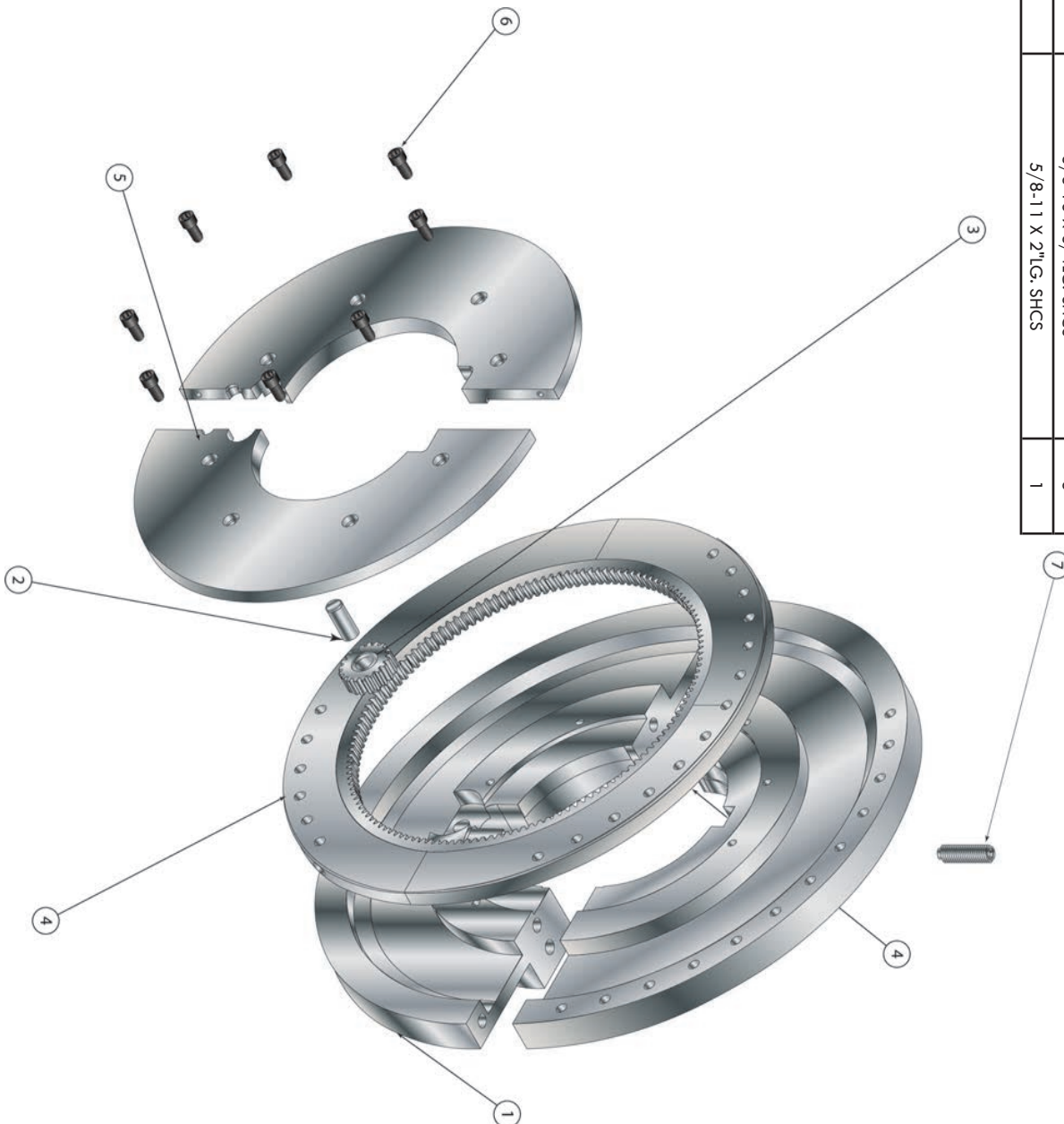
MALE SCORE HEAD 66" WARD CR-411451-HK

ITEM NO.	PART NUMBER	DESCRIPTION	QTY.
1	CR-411451-H	MALE SCORE HEAD	1
2	CR-411451-R	MALE SCORE RING	1
3	CR-45455	REPLACEABLE KEYWAY INSERT	1
4	CR-511160-R1	WEAR PLATE	1
5	CR-411160-R2	WEAR PLATE	1
6	CR-411160-R3	SPACER, WEAR PLATE	8
7	DP-14-34	Ø1/4 X 3/4" LG. DOWEL PIN	4
8	SHCS-10-32-58	#10-32 X 5/8 LG. SHCS	2
9	SHCS-38-2	3/8-16 X 2" LG. SHCS	8
10	SHCS-48-78	3/8-16 X 7/8 LG. SHCS	8
11	SHCS-38-114	3/8-16 X 1-1/4" LG. SHCS	8



MALE SLOTTER HEAD 66" WARD CR-411299-HK

ITEM NO.	PART NUMBER	DESCRIPTION	QTY.
1	CR-411298-H	MALE STITCH HEAD (CENTER)	1
2	CR-411222-P	PIN, SLOTTER HEAD	1
3	CR-45240	GEAR, SLOTTER HEAD (19T)	1
4	CR-45532-S	INTERNAL GEAR, SLTR. HD. SPLIT (135T)	1
5	CR-411298-R	RETAINING RING	1
6	SHCS-38-34	3/8-16 X 3/4LG. SHCS	8
7	BTSS-58-2	5/8-11 X 2"LG. SHCS	1

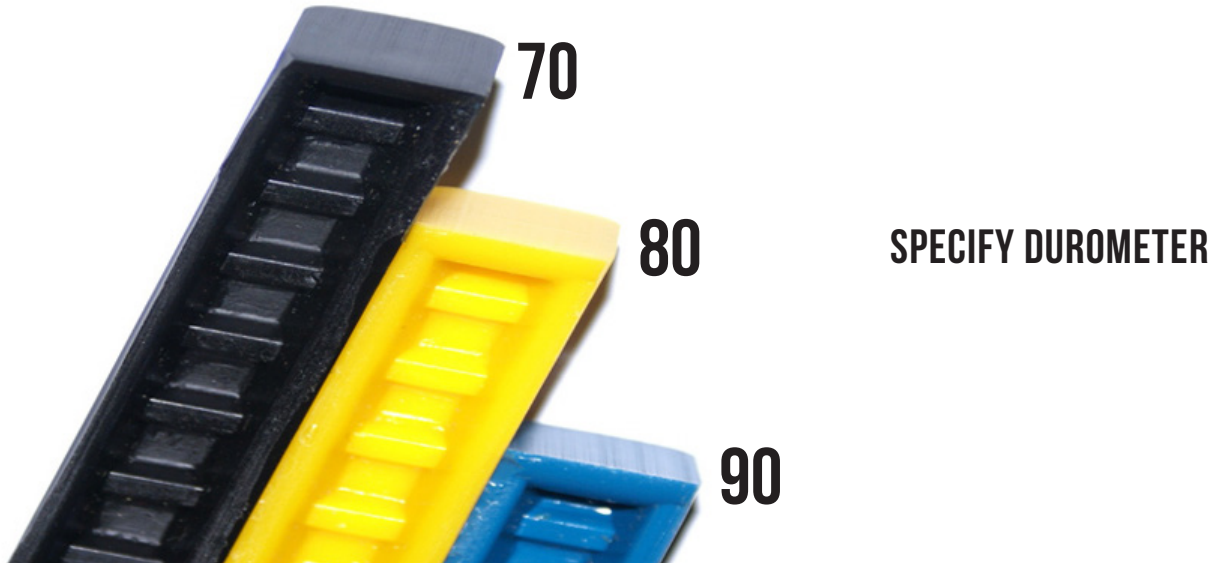


WARD 75" 19000 SPLIT HEADS

PART NUMBER	DESCRIPTION
CR-411544-HK	MALE STITCH HEAD
CR-45110-TK	STITCH BLOCK TRAILING
CR-45110-LK	STITCH BLOCK LEADING
CR-411547-HK	FEMALE STITCH HEAD
CR-411545-HK	MALE SLOTTER HEAD (2ND & 3RD)
CR-411546-HK	MALE SLOTTER HEAD (CENTER)
CR-411548-HK	FEMALE SLOTTER HEAD (2ND & 3RD)
CR-411549-HK	FEMALE SLOTTER HEAD (CENTER)
CR-411552-HK	MALE SCORE HEAD (1ST, 2ND, & 3RD)
CR-411553-HK	MALE SCORE HEAD (CENTER)
CR-411550-HK	FEMALE SCORE HEAD
CR-411551-HK	FEMALE SCORE HEAD (CENTER)
CR-411550-C	URETHANE SCORE COVER (SPECIFY DUROMETER)
CR-410311-HK	TRIM HEAD UPPER
CR-410312-HK	TRIM HEAD LOWER



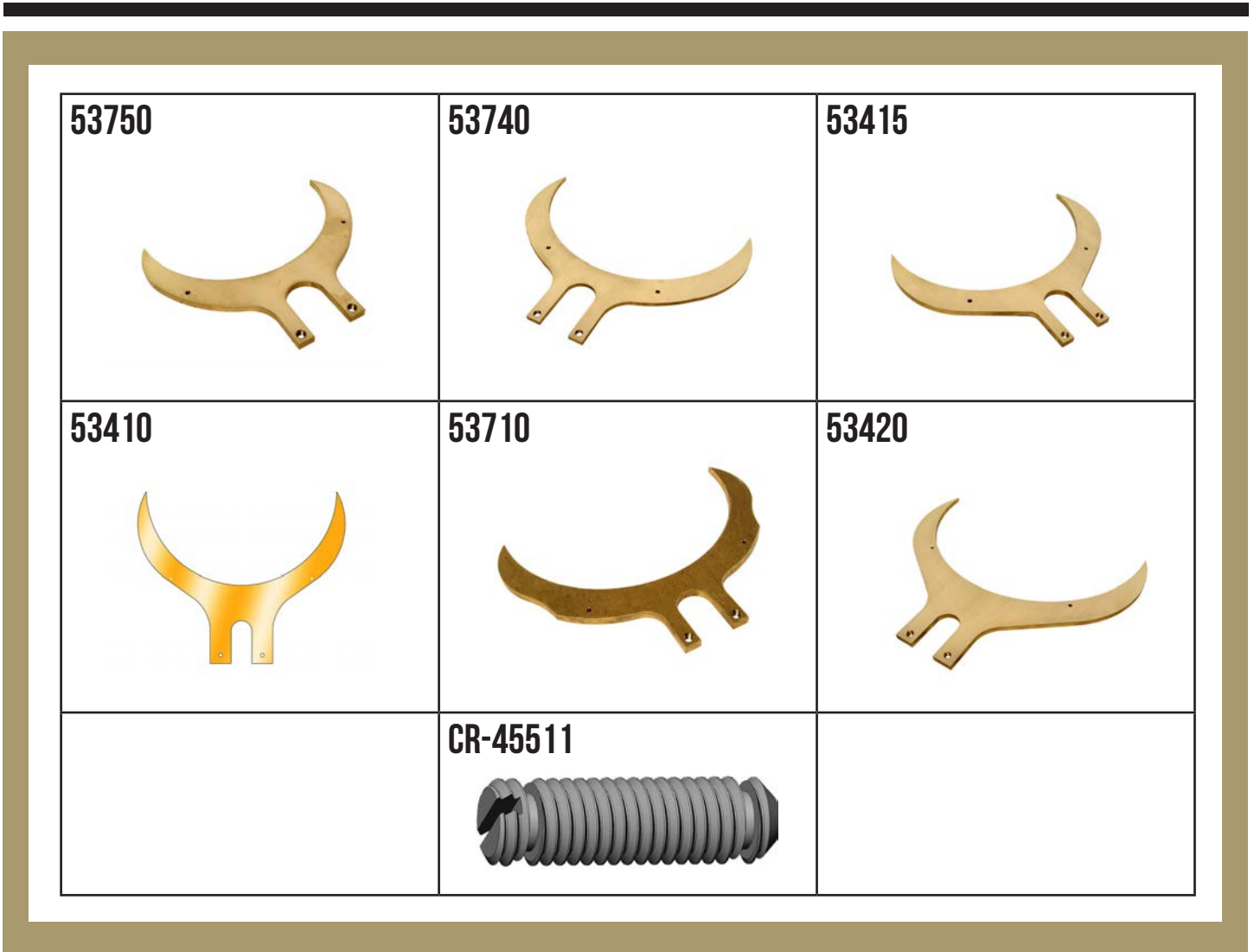
URETHANE SCORE COVERS



PART NUMBER	OEM NUMBER	PRODUCT NAME	DESCRIPTION
CR-45486-70	177052	URETHANE SCORE COVER	DUROMETER 70 - BLACK - 37 1/2"
CR-45486-80	148252	URETHANE SCORE COVER	DUROMETER 80 - YELLOW - 37 1/2"
CR-45486-90	120365	URETHANE SCORE COVER	DUROMETER 90 - BLUE - 37 1/2"
CR-45508-70	146408	URETHANE SCORE COVER	DUROMETER 70 - BLACK - 50"
CR-45508-80	267597	URETHANE SCORE COVER	DUROMETER 80 - YELLOW - 50"
CR-45508-90	121737	URETHANE SCORE COVER	DUROMETER 90 - BLUE - 50"
CR-45845-70	177053	URETHANE SCORE COVER	DUROMETER 70 - BLACK - 66"
CR-45845-80	154789	URETHANE SCORE COVER	DUROMETER 80 - YELLOW - 66"
CR-45845-90	121733	URETHANE SCORE COVER	DUROMETER 90 - BLUE - 66"
CR-411550-C	46560	URETHANE SCORE COVER	75"





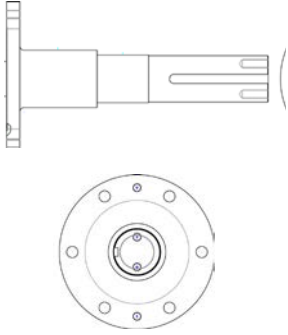

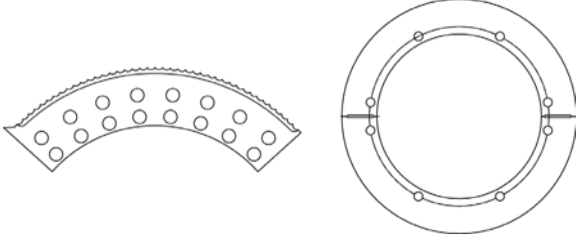


WARD STRIPPERS



PART NUMBER	OEM NUMBER	PRODUCT NAME	DESCRIPTION
53750	C-79405	STRIPPER	WARD MODEL 11000 37 1/2"
53740	C-70895	STRIPPER	WARD MODEL 11000 37 1/2"
53415	C-47380	STRIPPER	50"
53410	C-47260	STRIPPER	66"
53710	C-78732	STRIPPER	66"
53420	C-49729	STRIPPER	75"
45511	C-22532	STRIPPER PEN	ALL STRIPPER MODELS



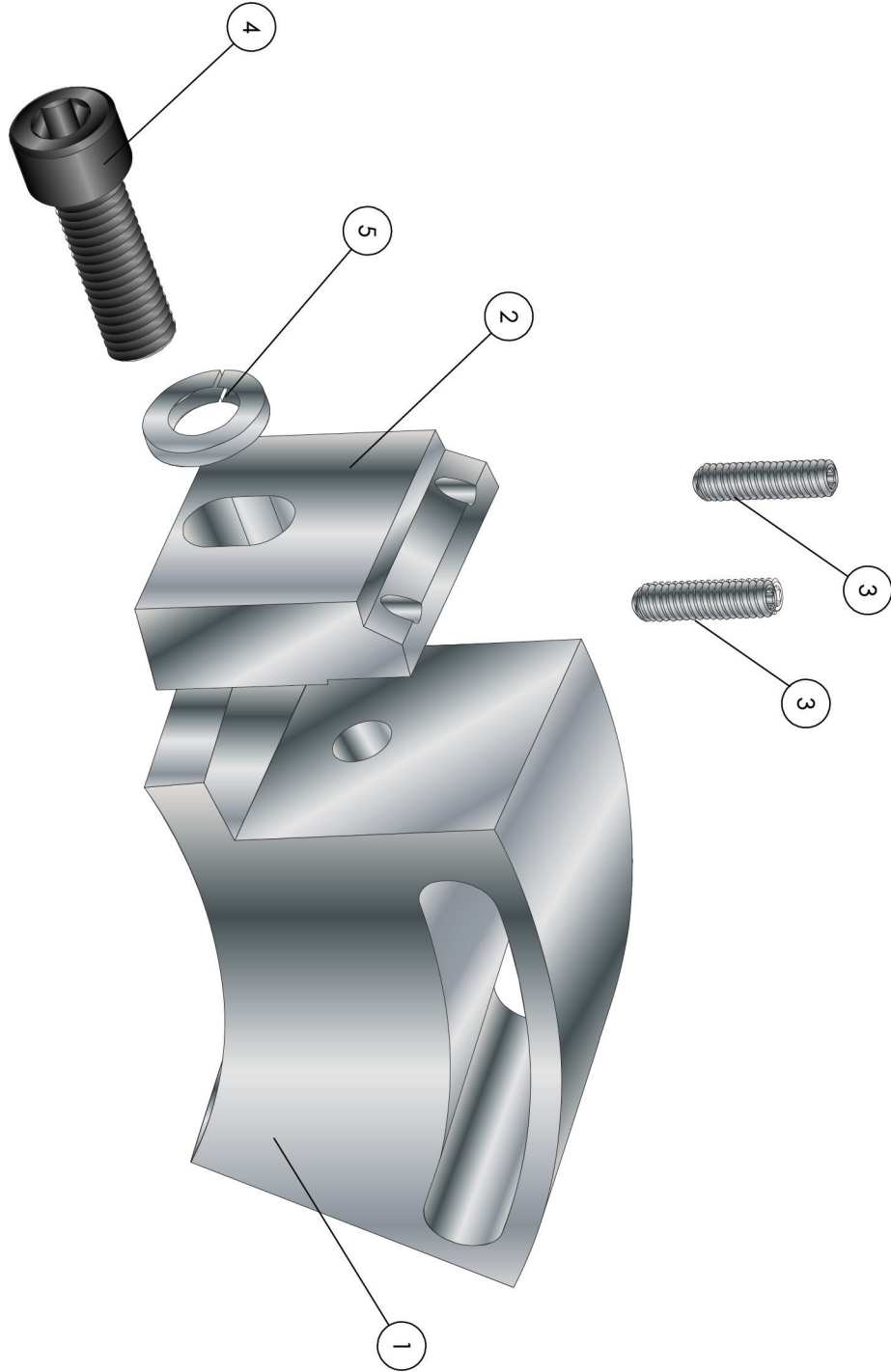
OTHER PARTS

<p>CR-45046 & CR-45377</p> 	<p>CR-45131</p> 	<p>CR-45034</p> 
<p>CR-45147-ASK</p> 	<p>MALE & FEMALE KNIVES</p> <p>Serrated / Plain / Tipped / Double Tipped</p> 	
<p>CR-45928</p> 	<p>CR-63055</p> 	

PART NUMBER	PRODUCT NAME	DESCRIPTION
CR-45046	CARBON WEAR BUTTON	FITS 37 1/2" WARD, 1" /48
CR-45377	CARBON WEAR BUTTON	FITS 50", 66", & 75" WARD, 1 3/8" /32
CR-45131	WORM GEAR	
CR-45034	JOURNAL PRINT CYLINDER	OS FOR 66" WARD (Ask Sales Representative for additional parts)
CR-45147-ASK	BELT LIFTING BAR ASSEMBLY	
CR-45928	BLANKING PLATE	OEM# 146320 FITS 37" & 75" WARD
CR-63055	POLYURETHANE AND SPRING STEEL HOLD DOWN BRUSH 17"	

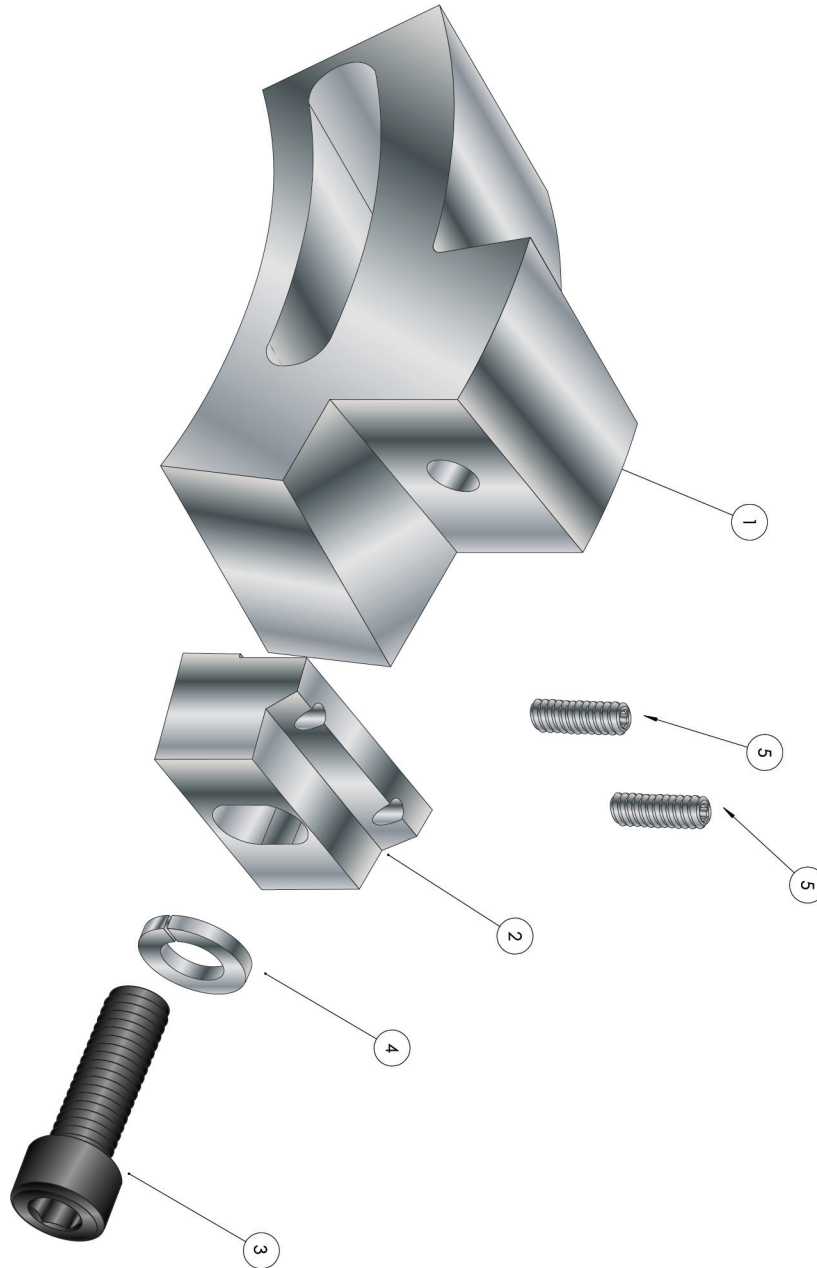
STITCH BLOCK LEADING 50" WARD CR-45594-LK

ITEM NO.	PART NUMBER	Description	QTY.
1	CR-45594-L	STITCH BLOCK, LEADING	1
2	CR-45594-LC	KNIFE HOLDER, LEADING	1
3	CPSS-14-1	1/4-20 X 1" LG. CPSS	2
4	SHCS-12-112	1/2-13 X 1-1/2" LG. SHCS	1
5	LW-12	Ø 1/2 LOCKWASHER	1

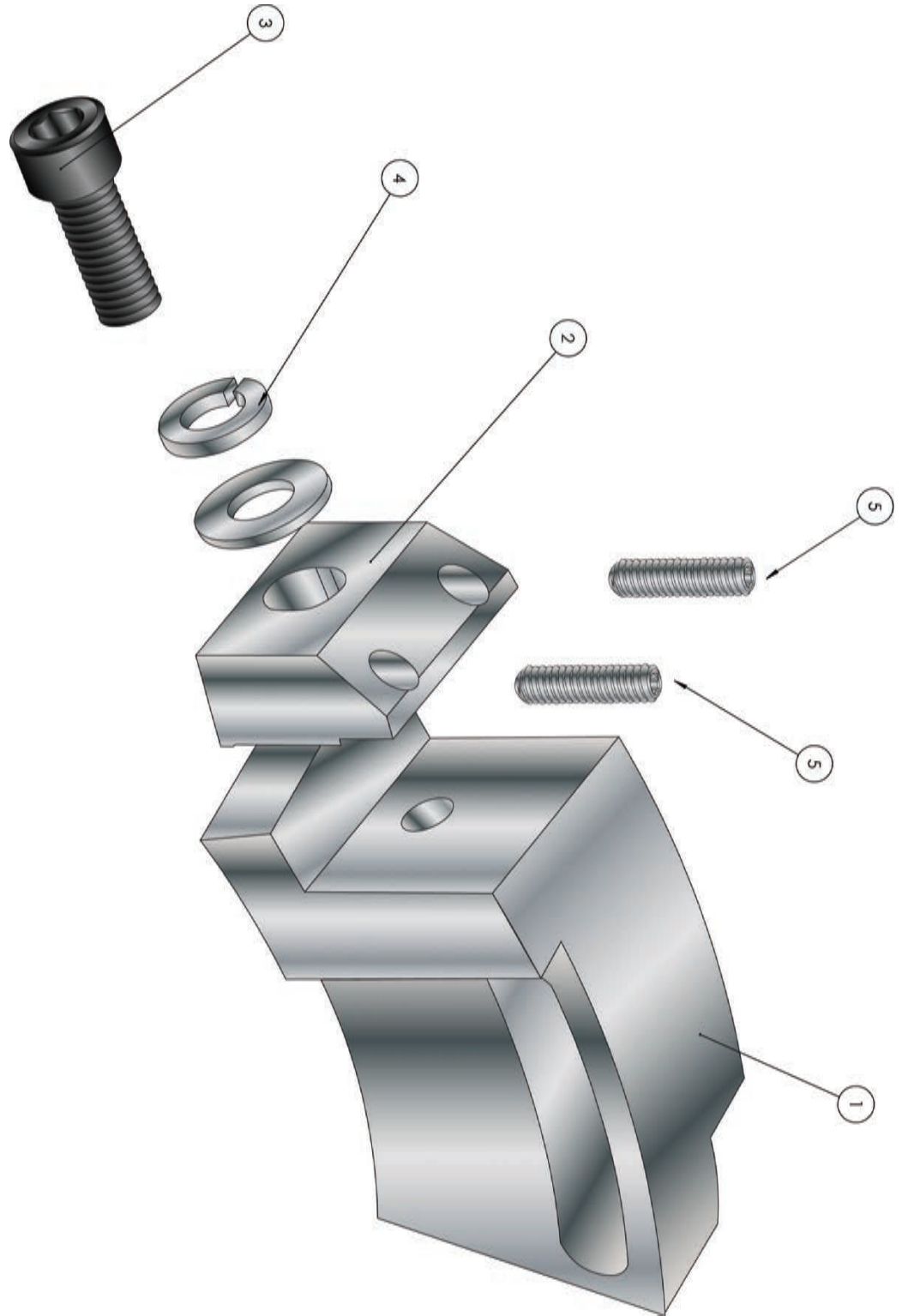


STITCH BLOCK TRAILING 50" WARD CR-45594-TK

ITEM NO.	PART NUMBER	Description	QTY.
1	CR-45594-T	STITCH BLOCK, TRAILING	1
2	CR-45594-TC	KNIFE HOLDER, TRAILING	1
3	SHCS-12-112	1/2-13 X 1-1/2" LG. SHCS	1
4	LW-12	Ø1/2 LOCKWASHER	1
5	CPSS-14-34	1/4-20 X 1" LG. CPSS	2



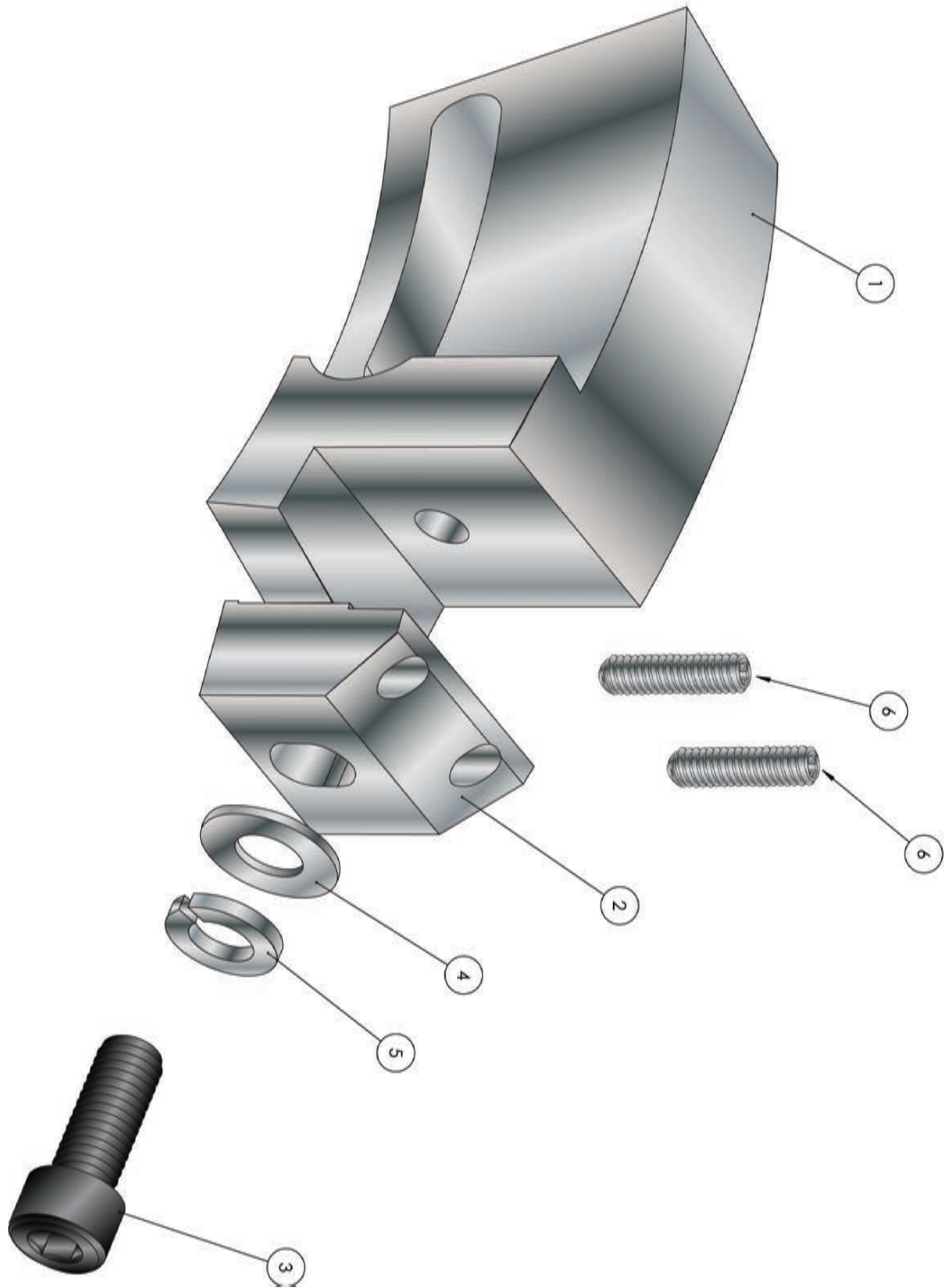
STITCH BLOCK LEADING 66" WARD CR-45785-LK

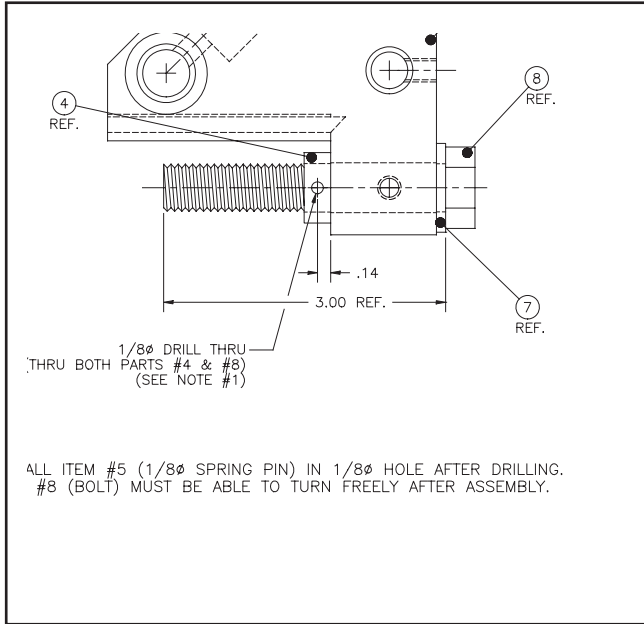


ITEM NO.	PART NUMBER	Description	QTY.
1	CR-45785-L	STITCH BLOCK, LEADING	1
2	CR-45785-KH	KNIFE HOLDER	1
3	SHCS-12-114	1/2-13 X 1-1/4"LG. SHCS1	
4	LW-12	Ø 1/2 LOCKWASHER	1
5	CPSS-14-114	1/4-20 X 1-1/4LG. CPSS	2
6	FW-12	Ø 1/2" FLAT WASHER	1

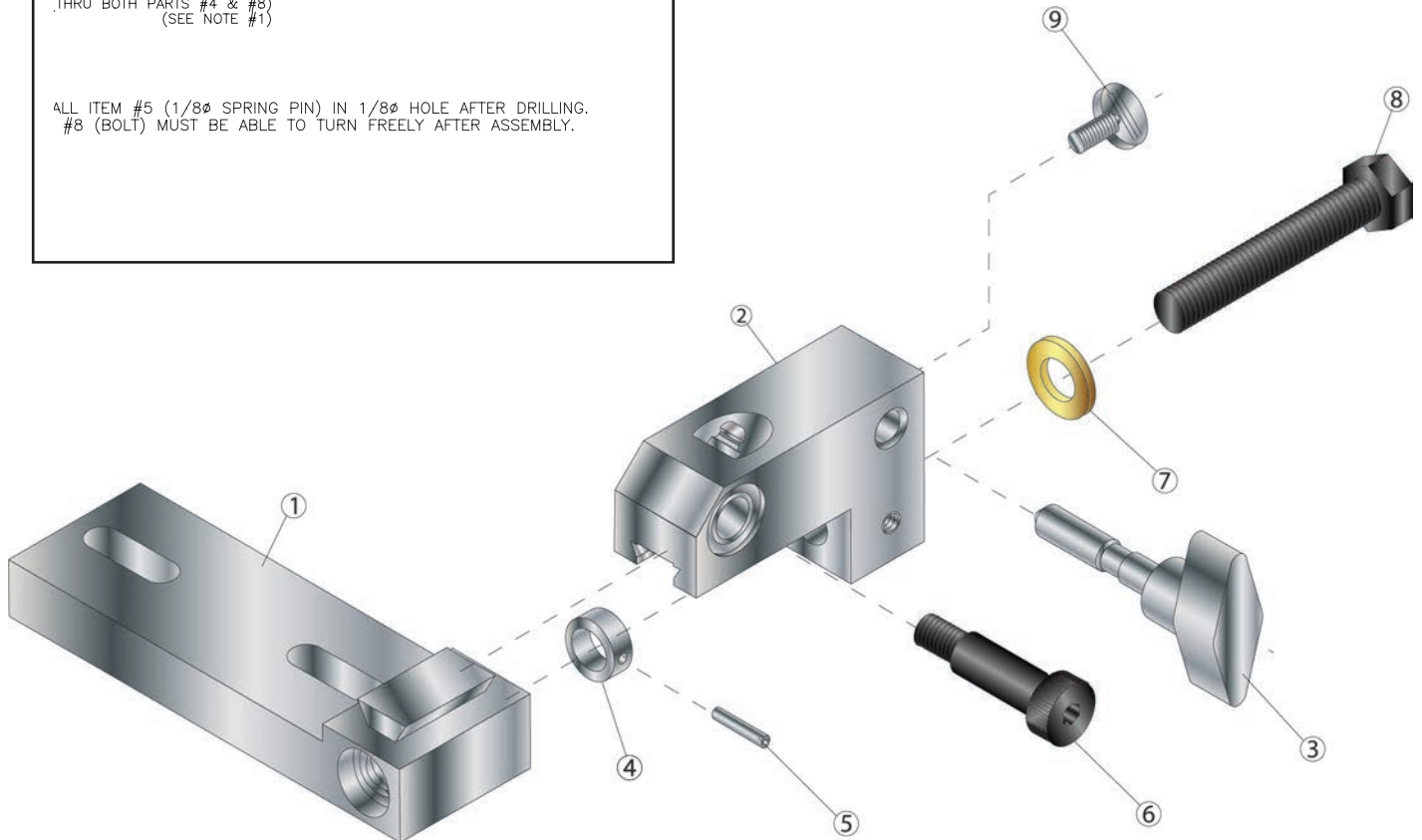
STITCH BLOCK TRAILING 66" WARD CR-45785-TK

ITEM NO.	PART NUMBER	DESCRIPTION	QTY.
1	CR-45785-T	STITCH BLOCK, TRAILING	1
2	CR-45785-KH	KNIFE HOLDER	1
3	SHCS-12-114	1/2-13 X 1-1/4" LG. SHCS	1
4	FW-12	Ø1/2" FLATE WASHER	1
5	LW-12	Ø1/2 LOCKWASHER	1
6	CPSS-14-114	1/4-20 X 1-1/4 LG. CPSS	2





ITEM NO.	PART NUMBER	DESCRIPTION	QTY.
1	CR-45333-1	DOVETAIL BLOCK (LOWER)	1
2	CR-45333-1	DOVETAIL BLOCK (UPPER)	1
3	CR-45333-3	T-HANDLE	1
4	CR-45333-4	COLLAR	1
5	98296A181	Ø1/6 X 3/4LG SPRING PIN	1
6	91259A714	3/8-16 SHOULDER BOLT	1
7	91635A280	METRIC BRASS WASHER	1
8	92865A724	1/2-13 X 3"LG HEAD HEAD BOLT	1
9	90181A537	1/4-20 X 1/2LG THUMB SCREW	1



PART NUMBER	PRODUCT NAME	DESCRIPTION
CR-45333-K	DOVETAIL ASSEMBLY	UPPER & LOWER BLOCK, T-HANDLE, COLLAR & MISC HARDWARE

CORRUGATED REBUILD...

FROM START TO FINISH

- More than just a company that rebuilds.
- More than just parts.
- A commitment from start to finish.
- Satisfaction Guaranteed!

- Consultation by a team of dedicated, experienced field service technicians
- Provide detailed comprehensive parts data and quote
- Work side-by-side with On Site Training

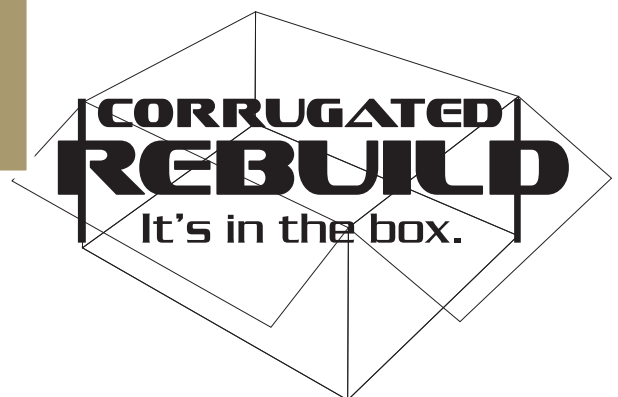
Restore quality, increase production, save money. Call Corrugated Rebuild TODAY!



BEFORE



AFTER



706.781.4520 | Fax: 706.781.6649
linzie.oney@corrugatedrparts.com