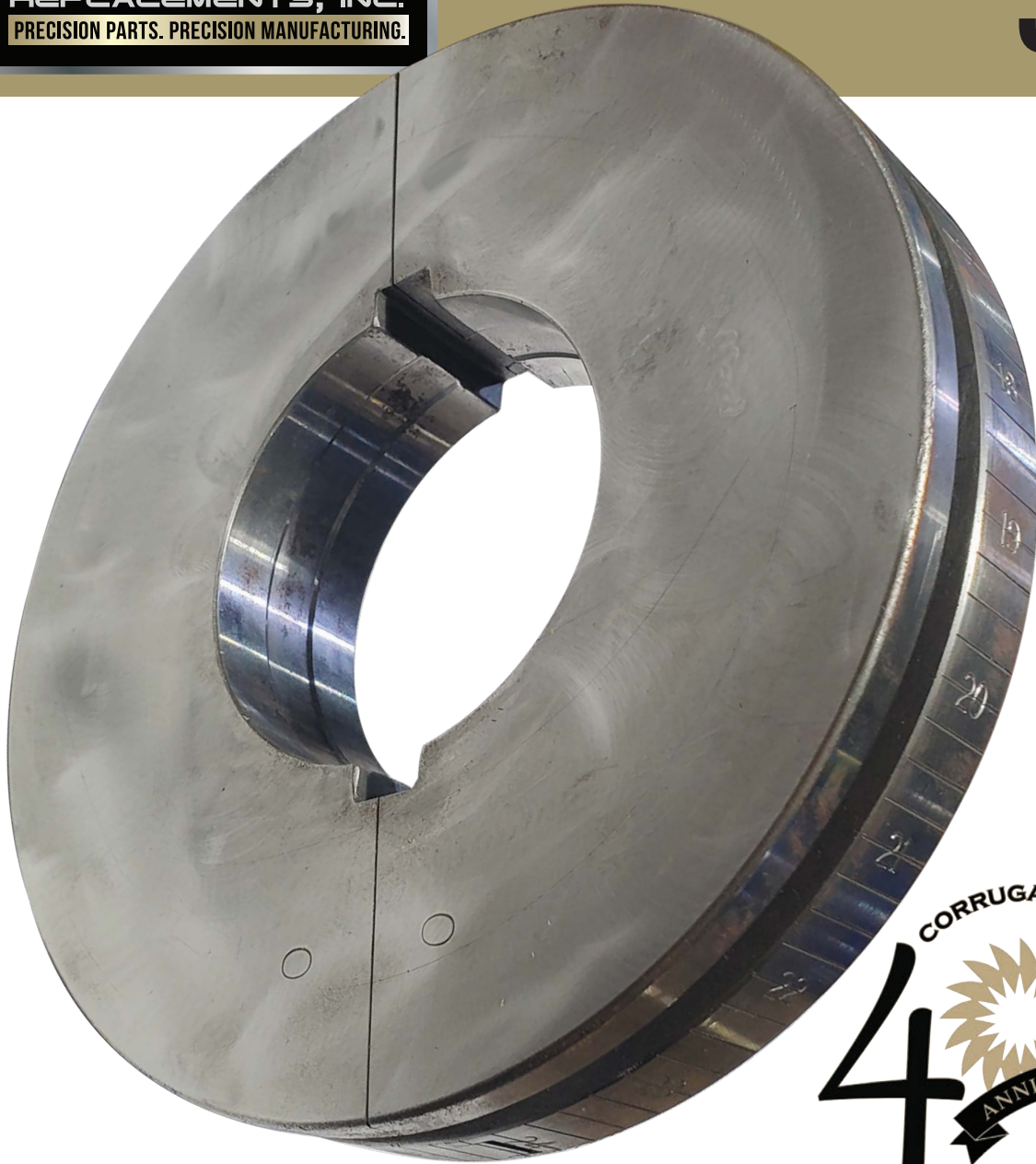


S&S



**CORRUGATED  
REPLACEMENTS, INC.**  
PRECISION PARTS. PRECISION MANUFACTURING.



# REPLACEMENT PARTS

# 2021



161 Lee Industrial Dr.  
Blairsville, GA 30512



p: 800.969.0881  
f: 706.781.6649



[corrugatedparts.com](http://corrugatedparts.com)



[sales@corrugatedparts.com](mailto:sales@corrugatedparts.com)





## **FIRST STOP PARTS SHOP FOR S&S MACHINES**

- **Make us your first and only stop for replacement parts.**
- **Providing parts to exacting specifications of OEM replacement products.**

## **SERVICE WORLD WIDE**

- **American owned, Globally Served**
- **We offer world wide service with a focus on speed, service and satisfaction.**

## **24-HOUR EMERGENCY SERVICE**

- **When it counts, “We Deliver.”**
- **Today, tomorrow, it doesn’t matter. We get it where you need it, when you need it.**

## **PIN POINT ACCURACY**

- **Its made to extreme degrees of accuracy. It’s what we do, and why customers keep coming back.**

## **SALES DEPARTMENT**

- **If you have questions or need help with a part, please contact our friendly and helpful sales department. They will be glad to assist you in all your corrugated parts needs.**

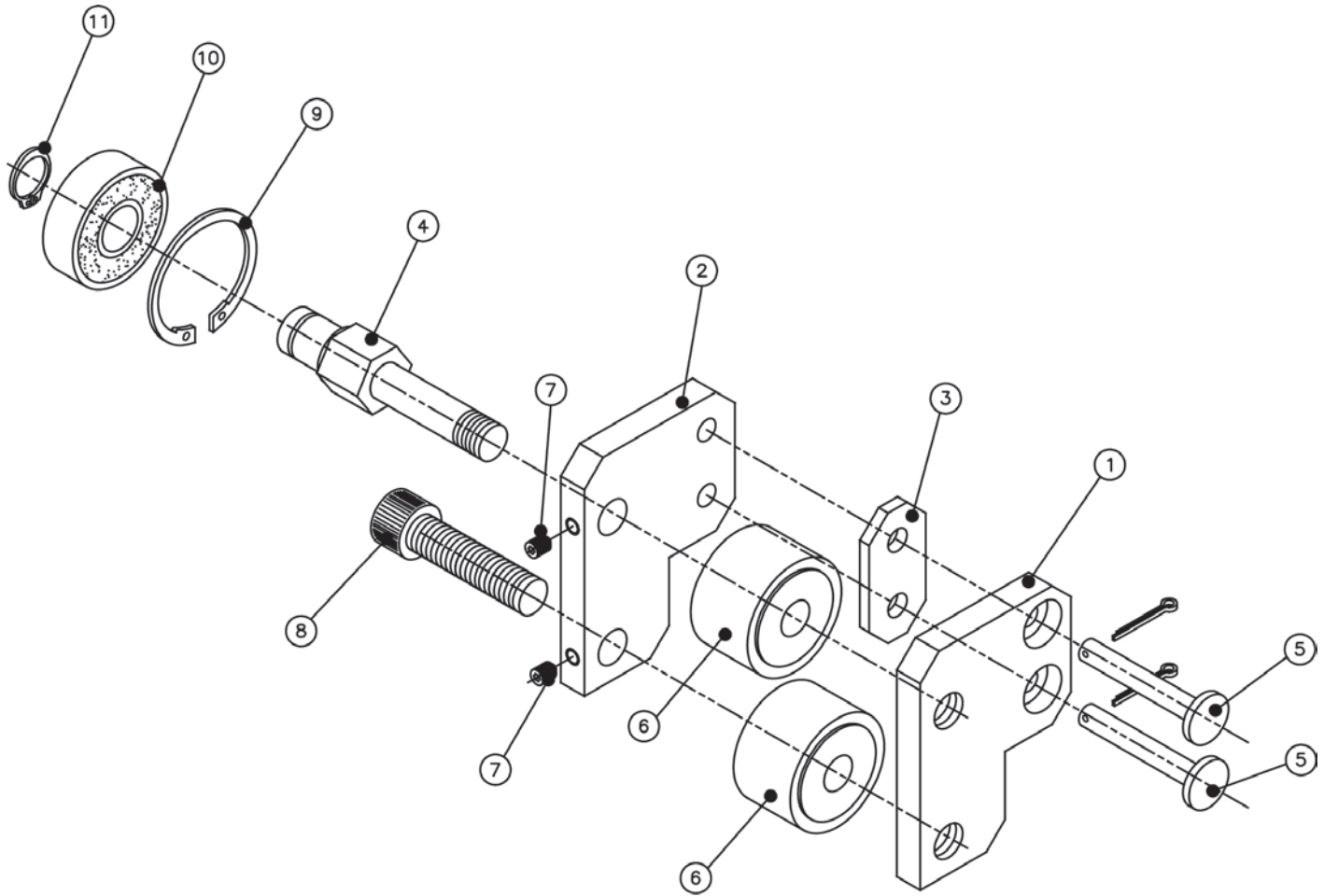


**CORRUGATED  
REPLACEMENTS, INC.**

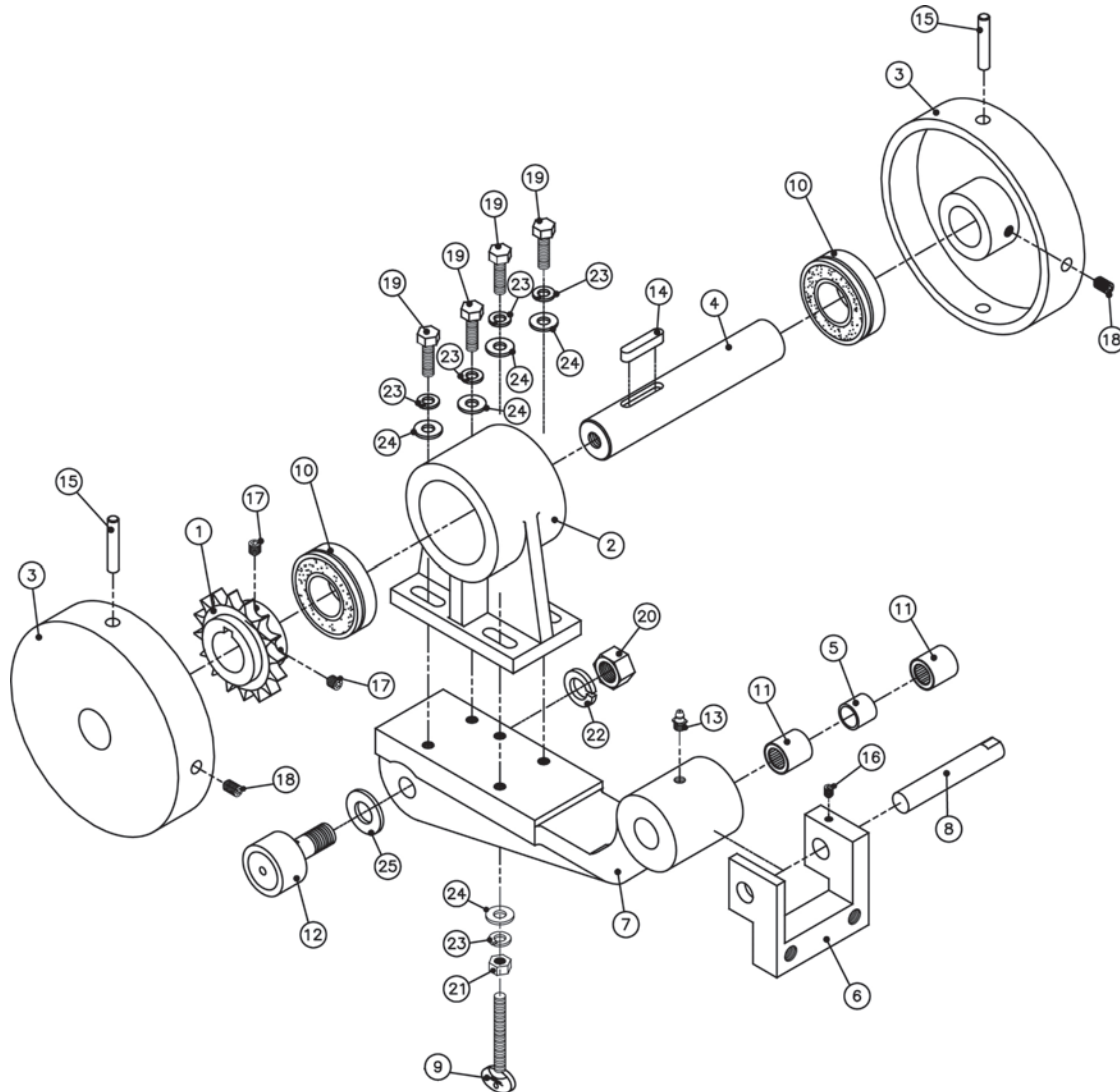
<b>PG</b>	<b>DESCRIPTION</b>
<b>3</b>	<b>ROLLER ASSEMBLY</b>
<b>4-5</b>	<b>LIFT ROLL ASSEMBLIES</b>
<b>6</b>	<b>NYLON FOLDING RAIL ROD</b>
<b>7-9</b>	<b>DOCTOR BLADE HOLDER ASSEMBLIES</b>
<b>10</b>	<b>PUSHER SHIFTER GEAR BOX ASSEMBLY</b>
<b>11-15</b>	<b>PUSHER BAR ASSEMBLIES</b>
<b>16</b>	<b>SIDE GAUGE ASSEMBLIES</b>
<b>17</b>	<b>INK TROUGH ASSEMBLY</b>
<b>18-21</b>	<b>RUNNING REGISTER ASSEMBLIES</b>
<b>22-23</b>	<b>FOLDING RAIL LIFTS</b>
<b>24</b>	<b>QUICK RELEASE PULL ROLL - INSTALLATION</b>
<b>25-26</b>	<b>PARTITION SLOTTER PARTS</b>
<b>27-28</b>	<b>38" KNIVES /STRIPPERS</b>
<b>29-30</b>	<b>50" KNIVES/STRIPPERS</b>
<b>31</b>	<b>38" &amp; 50" SCORE RINGS</b>
<b>32</b>	<b>ZLR-50 MALE SLOTTER HEADS</b>
<b>33</b>	<b>SCORES</b>
<b>34</b>	<b>STITCH BLOCK ASSEMBLIES &amp; STITCH TAB KNIVES</b>
<b>35</b>	<b>T-SLOT BOLTS &amp; NUTS</b>
<b>36-37</b>	<b>DIALS</b>
<b>38-39</b>	<b>OTHER PARTS</b>

# ROLLER ASSEMBLY, PUSHER BAR

## CR-35123-A



ITEM	PART NUMBER	DESCRIPTION	QTY
1	CR-35123	FLAT LINK PUSHER CHAIN INSIDE D.S.	1
2	CR-35852	FLAT LINK PUSHER CHAIN OUTSIDE	1
3	CR-35856	SPACER	1
4	CR-35195	PUSHER ARM PIN	1
5	CR-35235	PUSHER PIN LINK ASSEMBLY	2
6	1009-511010	CAM FOLLOWER CYR - 1 1/4	2
7	1216-2590	FLT PT SOC SET SCR. 8-32 X 1/4"L	2
8	1215-112700	SHC 3/8-16 X 1/2" LG	1
9	5000-125	RETAINING RING	1
10	MRC-201SZZ	BEARING	1
11	5160-47	RETAINING RING	1



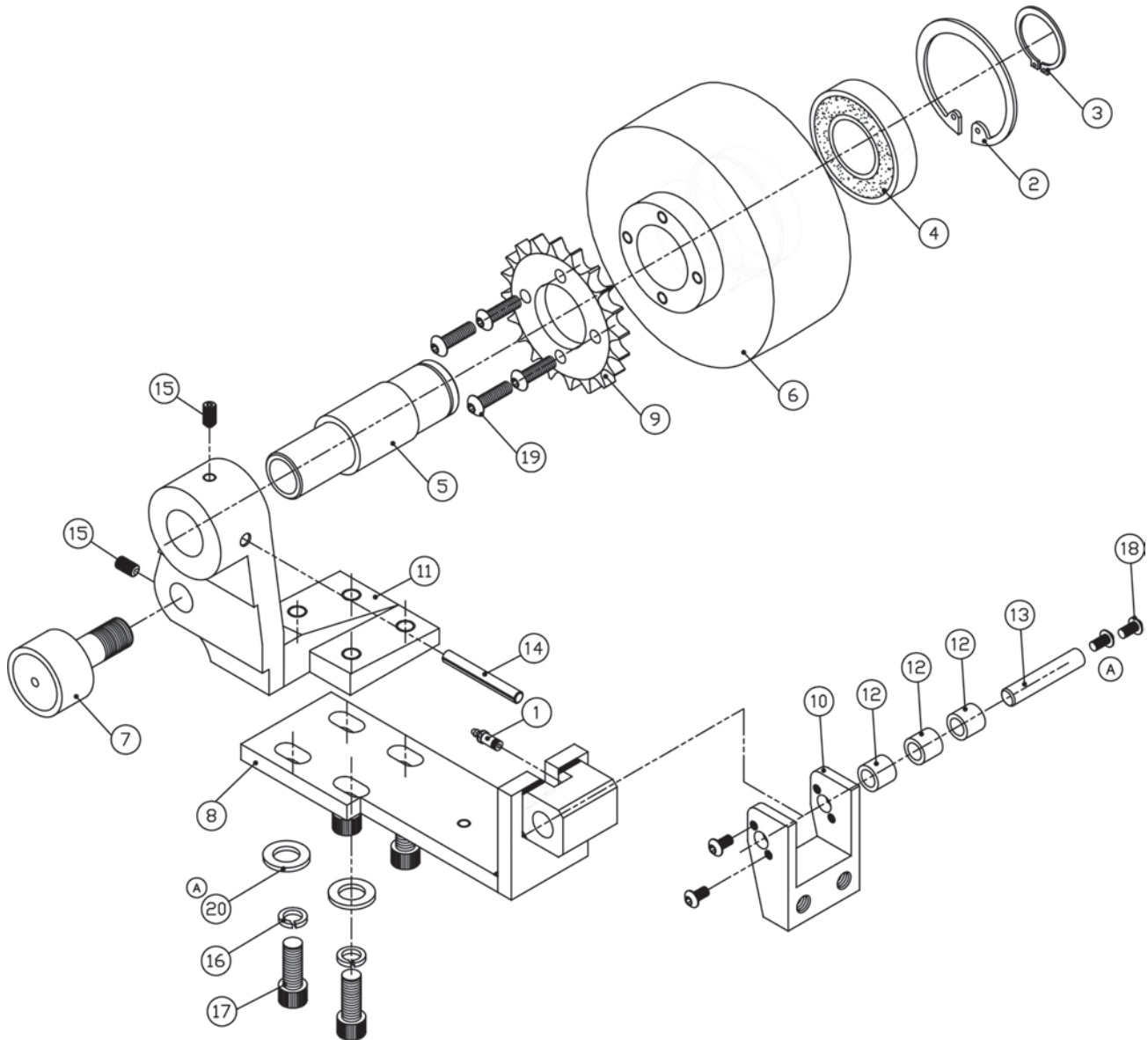
ITEM	PART NUMBER	DESCRIPTION	QTY
1	CR-36384	SPROCKET - LIFT ROLLS	1
2	CR-35689	BRACKET - LIFT ROLLS	1
3	CR-35656	LIFT ROLL	2
4	CR-35681	SHAFT - LIFT ROLLS	1
5	CR-36385	SPACER - LIFT ROLLS ARM	1
6	CR-35951	PIVOT ARM - LIFT ROLLS	1
7	CR-35952	ARM - LIFT ROLLS	1
8	CR-36386	SHAFT - LIFT ROLLS ARM	1
9	CR-36383	THUMB SCREW	1
10	205-SFF	BEARING	2
11	BH-812	BEARING	2
12	CF-1 1/4-S	CAM FOLLOWER	1
13	1610-B	'ALEMITE' GREASE FITTING	1

ITEM	PART NUMBER	DESCRIPTION	QTY
14	CR-36651-1	KEY FOR SHAFT - LIFT ROLLS	1
15	CR-992110	1/4Ø X 1-1/2LG ROLL PIN	2
16	92312A829	#10-32 X 1/2LG SOC. SET SCREW	1
17	92311A533	1/4-20 X 1/4LG SOC. SET SCREW	2
18	92311A535	1/4-20 X 3/8LG SOC. SET SCREW	2
19	91236A542	1/4-20 X 1"LG STL. HEX HD. BOLT	4
20	90500A033	1/2-20 STL. HEX NUT	1
21	90499A029	1/4-20 STL. HEX NUT	1
22	91101A033	1/2" STL. LOCK WASHER	1
23	91101A029	1/4" STL. LOCK WASHER	5
24	91081A029	1/4 STL. FLAT WASHER	5
25	91081A033	1/2" STL. FLAT-FINISHED WASHER	1



# LIFT ROLL ASSEMBLY

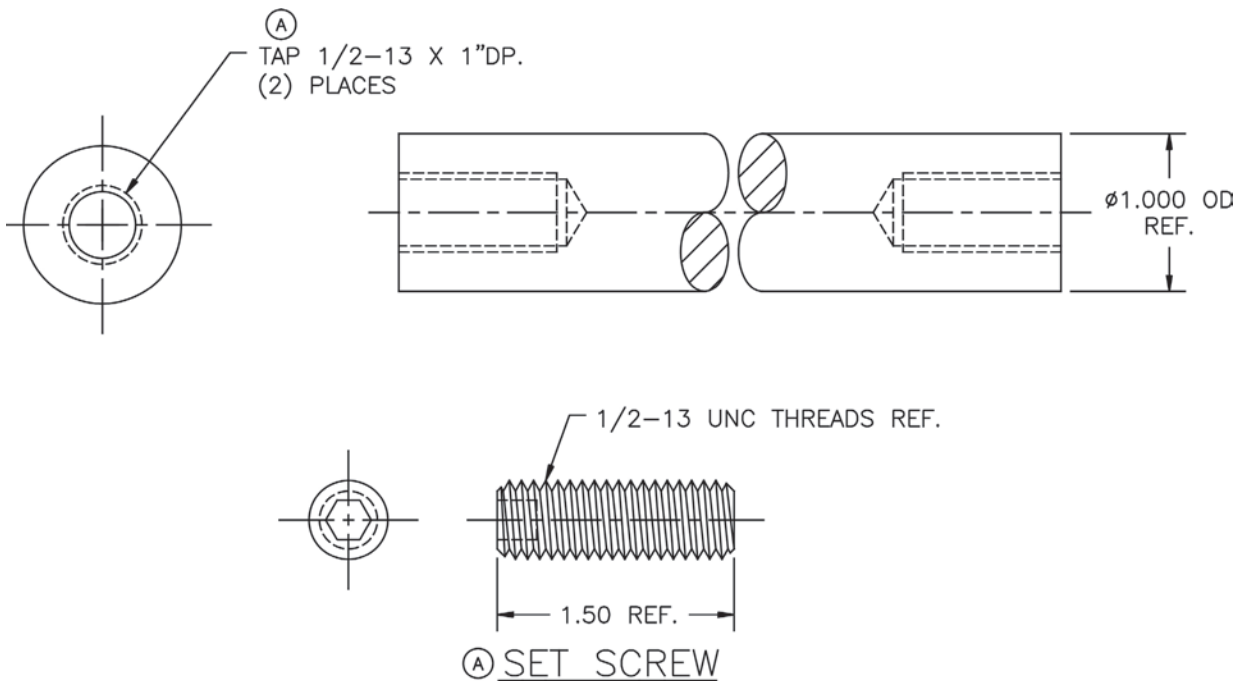
## CR-35306-A



ITEM	PART NUMBER	DESCRIPTION	QTY.
1	1607-B	ALEMITE GREASE FITTING 1/8"	1
2	5000-244	RETAINING RING	1
3	5100-118	RETAINING RING	1
4	5206-SBKFF	BALL BEARING	1
5	CR-35015	LIFT ROLL STUD	1
6	CR-35016	LIFT ROLL	1
7	CR-35148	1 1/2" CAM FOLLOWER	1
8	CR-35305	HINGE BRACKET	1
9	CR-35312	LIFT ROLL SPROCKET	1
10	CR-35313	FEMALE LIFT ROLL HINGE	1

ITEM	PART NUMBER	DESCRIPTION	QTY
11	CR-35349	BRACKET FOR LIFT ROLL	1
12	B-68-OH	NEEDLE BEARING W/OIL HOLE	3
13	DP-3/8X2	DOWEL PIN 3/8Ø X 2"LG	1
14	SP-1/4X2	SPRING PIN 1/4Ø X 2"LG	1
15	-	1/4-20 X 1/2LG CONE PT SET SCR.	2
16	-	3/8 STL. LOCK WASHER	4
17	-	3/8-16 X 1"LG SHCS	4
18	-	#10-32 X 3/8"LG BHCS	4
19	-	1/4-20 X 7/8"LG BHCS	4
20	-	3/8 FLAT WASHER	4

**NYLON FOLDING RAIL ROD**  
**LINKABLE 8' SECTIONS**



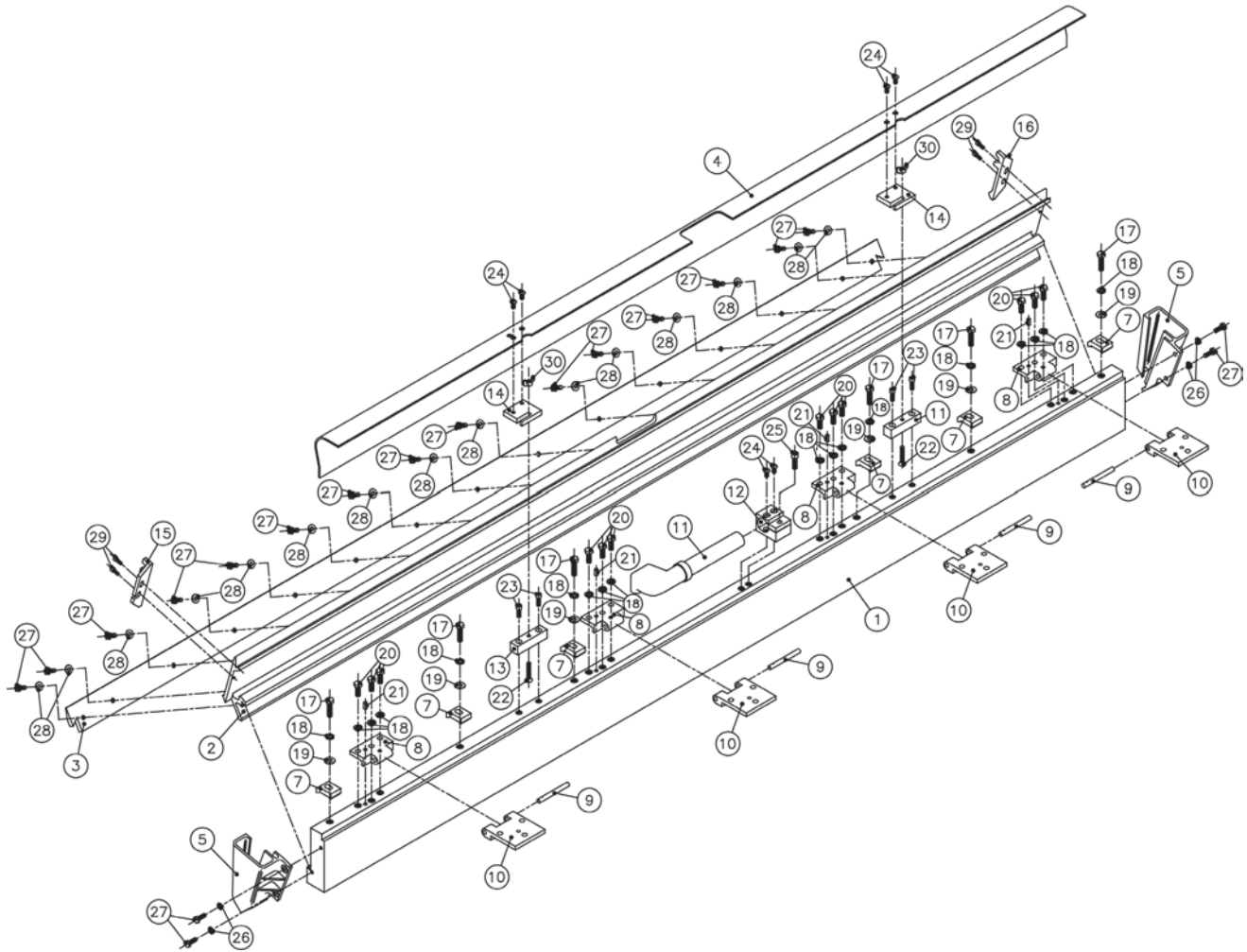
**NOTES:**

- 1) PURCHASE ITEM: 1/2-13 X 1-1/2LG. SET SCREW,



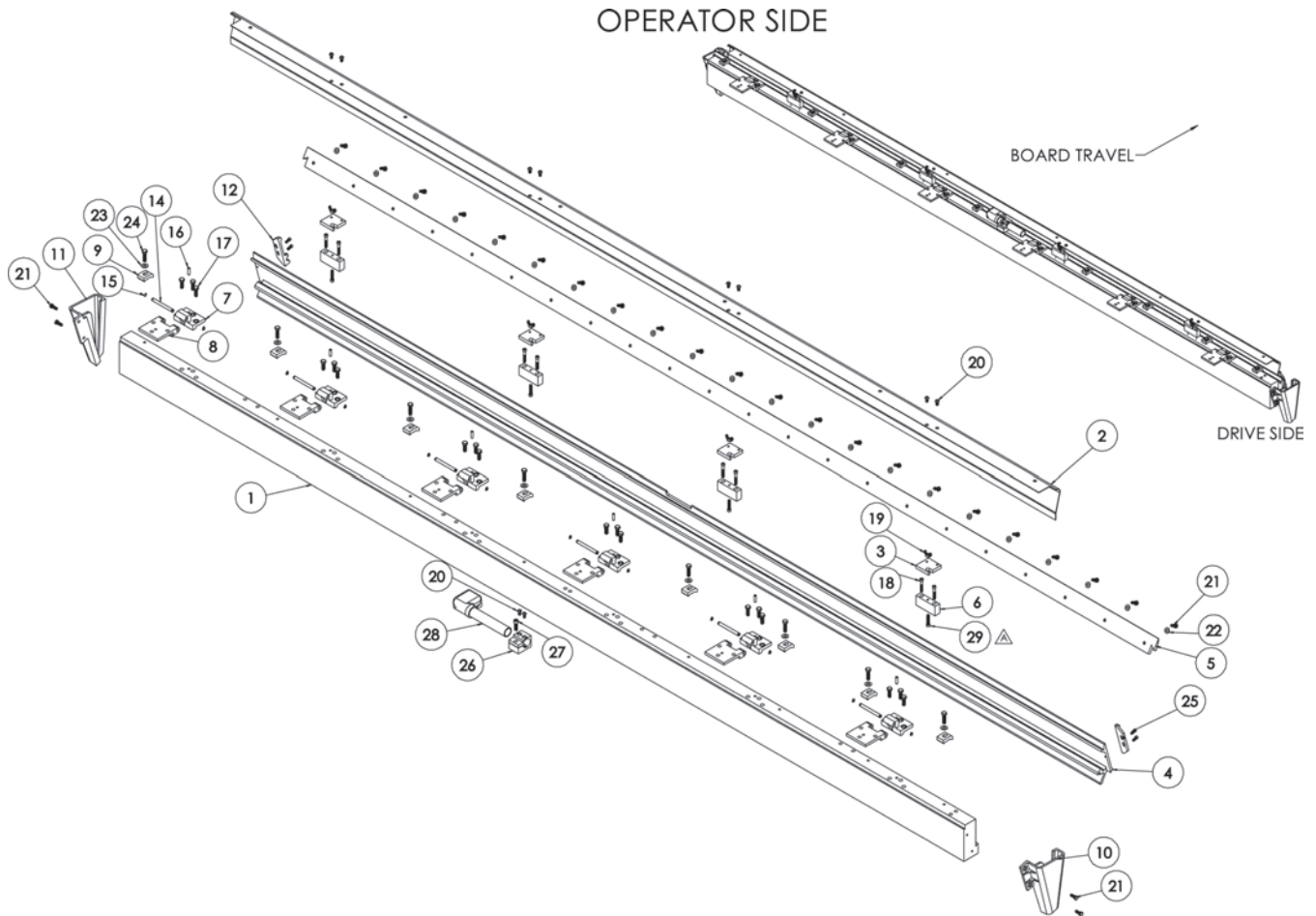
# DOCTOR BLADE HOLDER ASSEMBLY

## CR-36138-A



ITEM	PART NUMBER	DESCRIPTION	QTY
1	CR-36138	SUPPORT, DOCTOR BLADE HOLDER	1
2	CR-35840-2	HOLDER, DOCTOR BLADE	1
3	CR-35196-1	CLAMP, DOCTOR BLADE	1
4	CR-35734	INK BAFFLE	1
5	CR-35308	CONE, INK DEFLECTOR, O.S.	1
6	CR-35307	CONE, INK DEFLECTOR, D.S.	1
7	CR-35375	CLAMP, BLADE HOLDER	6
8	CR-35506	HINGE, LEAF (MALE)	4
9	CR-35919	PIN, HINGE	4
10	CR-35505	HINGE, LEAF (FEMALE)	4
11	CR-35827	INK SPOUT	1
12	CR-35163	HOLDER, INK SPOUT	1
13	CR-35192	BLOCK, MOUNTING	2
14	CR-35282	MOUNTING TAB	2
15	CR-35385	INK BAFFLE, O.S.	1

ITEM	PART NUMBER	DESCRIPTION	QTY
16	CR-35386	INK BAFFLE, D.S.	1
17	92240A585	5/16-18 X 1-1/4 HEX HEAD C.S.	6
18	92146A030	5/16" LOCK WASHER	6
19	92141A030	5/16" WASHER	6
20	92240A582	5/8-18 X 7/8 HEX HEAD C.S.	12
21	90145A537	Ø1/4 1/2LG DOWEL PIN	4
22	92210A030	1/4-20 X 1-1/2 FLAT HEAD C.S.	2
23	92196A540	1/4-20 X 3/4 SHCS	4
24	92949A537	1/4-20 X 1/2 BUTTON HEAD C.S.	6
25	92196A583	5/16-18 X 1" SHCS	1
26	92146A029	1/4" LOCK WASHER (S.S.)	4
27	92240A540	1/4-20 X 3/4 HEX HEAD C.S.	19
28	92141A029	1/4" WASHER (S.S.)	15
29	92196A269	#10-32 X 1/2 SHCS	4
30	92001A029	1/4-20 WINGNUT (S.S.)	2

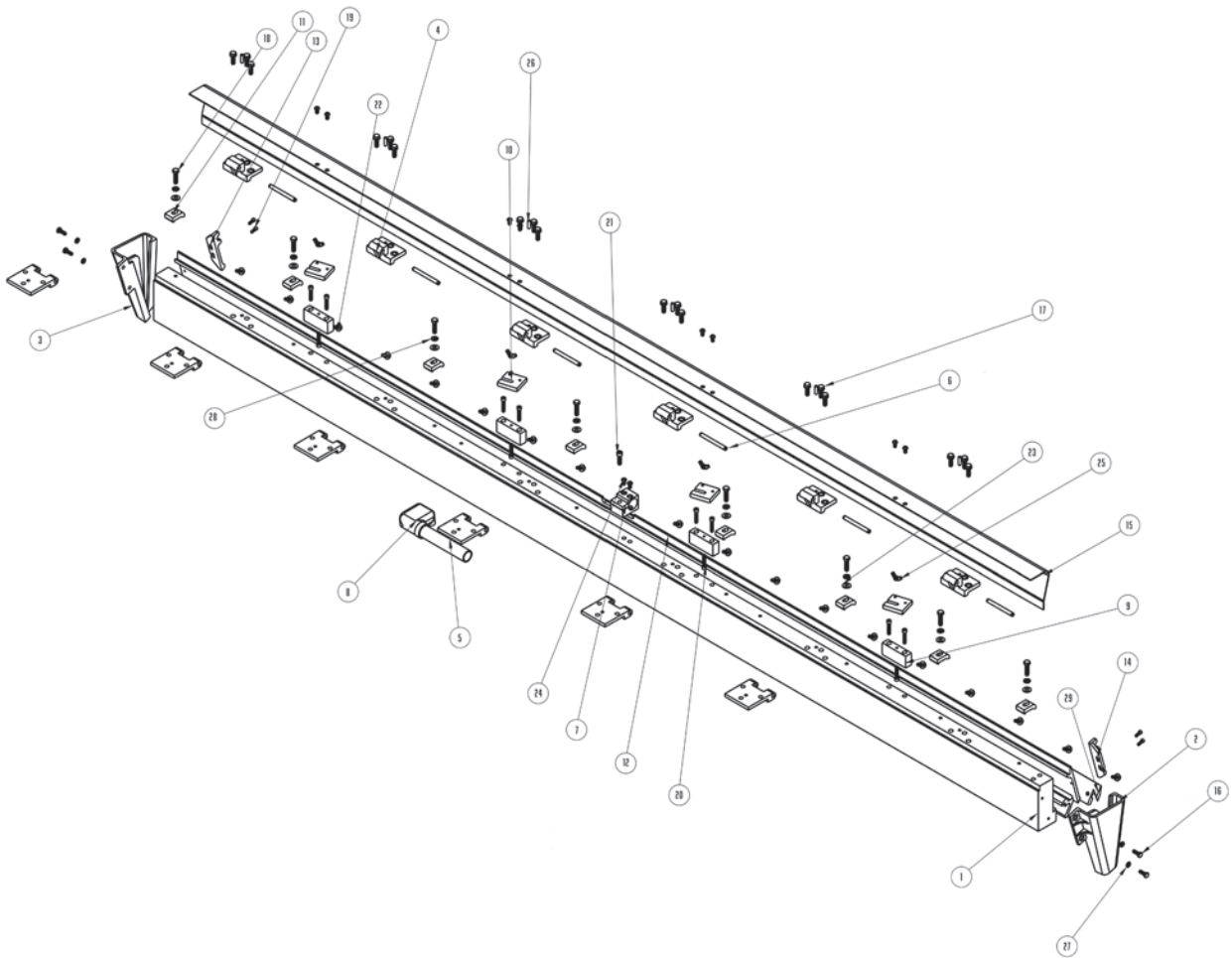


ITEM	ART NUMBER	DESCRIPTION	QTY
1	CR-352775-1	SUPPORT ASSEMBLY, SCRAPER WIPER	1
2	CR-352775-2	BAFFLE, INK	1
3	CR-352775-3	MOUNTING TAB	4
4	CR-352775-4	CLAMP (DOCTOR BLADE)	1
5	CR-352775-5	HOLDER, BLADE SCRAPER	1
6	CR-350206	BLOCK, MOUNTING (INK BAFFLE)	4
7	CR-36089	HINGE, LEAF (MALE)	6
8	CR-35505	HINGE, LEAF (FEMALE)	6
9	CR-35375	CLAMP, BLADE HOLDER	8
10	CR-36066	CONE, INK DEFLECTOR (D.S.)	1
11	CR-350949	CONE, INK DEFLECTOR (O.S.)	1
12	CR-35386	INK BAFFLE (D.S.)	1
13	CR-35385	INK BAFFLE (O.S.)	1
14	CR-35919	PIN, HINGE	6
15	5100-31	SNAP RING	12

ITEM	PART NUMBER	DESCRIPTION	QTY
16	DP-14-78-SS	DOWEL PIN 1/4 X 7/8" LONG S.S.	6
17	HHC-516-1-SS	5/16-18 X 1" LG. S.S. HHCS	18
18	SHCS-14-112-SS	1/4-20 X 1-1/2 LG. S.S. SHCS	8
19	WN-14-SS	WING NUT, 1/4-20UNC	4
20	BHCS-14-12-SS	1/4-20 X 1/2 LG. STAINLESS STEEL BHCS	10
21	HHCS-14-34-SS	1/4-20 X 3/4 LG. S.S. HHCS	26
22	FW-14-SS	Ø1/4 STAINLESS STEEL FLAT WASHER	22
23	FW-516-SS	Ø5/16 STAINLESS STEEL FLAT WASHER	8
24	HHCS-516-114-SS	5/16-18 X 1-1/4 LG. S.S. HHCS	8
25	SHCS-10-32-12-SS	#10-32 X 1/2 LG. S.S. SHCS	4
26	CR-35163	HOLDER, INK SPOUT	1
27	SHCS-516-1-SS	5/16-18 X 1" LG. S.S. SHCS	1
28	CR-35827	INK SPOUT	1
29	SHCS-14-114-SS	1/4-20 X 1-1/4" LG. S.S. SHCS	4

# DOCTOR BLADE HOLDER ASSEMBLY

## CR-36226-A



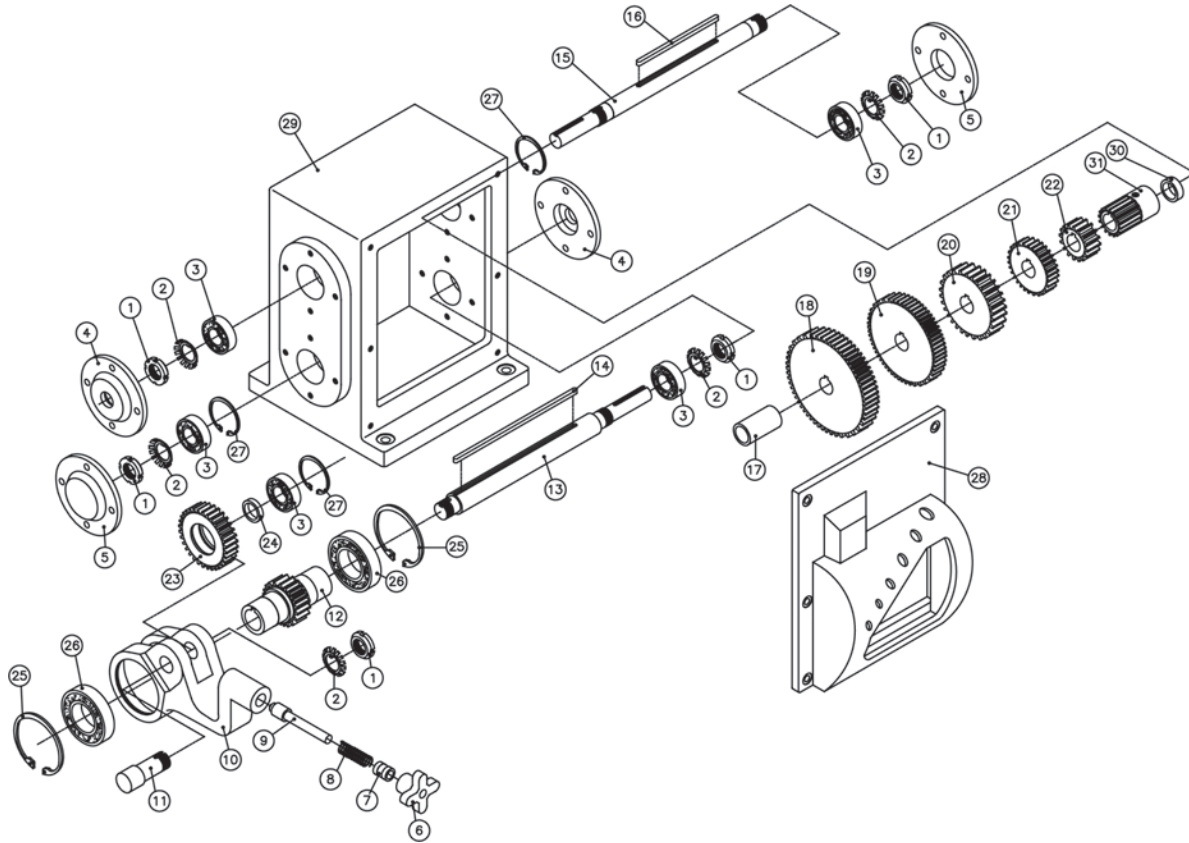
ITEM	PART NUMBER	DESCRIPTION	QTY.
1	CR-36226	SUPPORT ASSEMBLY, SCRAPER WIPER	1
2	CR-36066	CONE, INK DEFLECTOR (D.S.)	1
3	CR-350949	CONE, INK DEFLECTOR (O.S.)	1
4	CR-36089	HINGE, LEAF (MALE)	6
5	CR-35505	HINGE, LEAF (FEMALE)	6
6	CR-35919	PIN, HINGE	6
7	CR-35163	HOLDER, INK SPOUT	1
8	CR-35827	INK SPOUT	1
9	CR-350206	BLOCK, MOUNTING (INK BAFFLE)	4
10	CR-350207	TAB, MOUNTING	4
11	CR-35375	CLAMP, BLADE HOLDER	8
12	CR-36128	HOLDER, BLADE SCRAPER	1
13	CR-35385	INK BAFFLE (O.S.)	1
14	CR-35386	INK BAFFLE (D.S.)	1

ITEM	PART NUMBER	DESCRIPTION	QTY.
15	CR-36453	BAFFLE, INK	1
16	HHCS-14-34-SS	1/4-20 X 3/4 LG. S.S. HHCS	23
17	HHC-516-1-SS	5/16-18 X 1" LG. S.S. HHC	18
18	HHC-516-114-SS	5/16-18 X 1-1/4 LG. S.S. HHC	8
19	SHCS-10-32-12-SS	#10-32 X 1/2 LG. S.S. SHCS	4
20	SHCS-14-114-SS	1/4-20 X 1-1/4 LG. ST. STEEL SHCS	12
21	SHCS-516-1-SS	5/16-18 X 1" LG. S.S. SHCS	1
22	FW-14-SS	Ø1/4 STAINLESS STEEL FLAT WASHER	19
23	FW-516-SS	DOWEL PIN Ø 1/4 X 7/8" LONG S.S.	8
24	BHCS-14-12-SS	1/4-20 X 1/2 LG. STAINLESS STEEL BHCS	10
25	WN-14-SS	1/4-20 S.S. WING NUT	4
26	DP-14-78-SS	DOWEL PIN Ø 1/4 X 7/8" LONG S.S.	6
27	LW-14-SS	Ø 1/4" STAINLESS STEEL LOCKWASHER	4
28	LW-516-SS	Ø 5/16" STAINLESS STEEL LOCKWASHER	26
29	35196-3	CLAMP, DOCTOR BLADE	1

# PUSHER SHIFTER GEAR BOX ASSEMBLY

## CR-36342-ZLM (6 SPEED (SHOWN))

## CR-36342-ZLR (5-SPEED (NOT SHOWN))



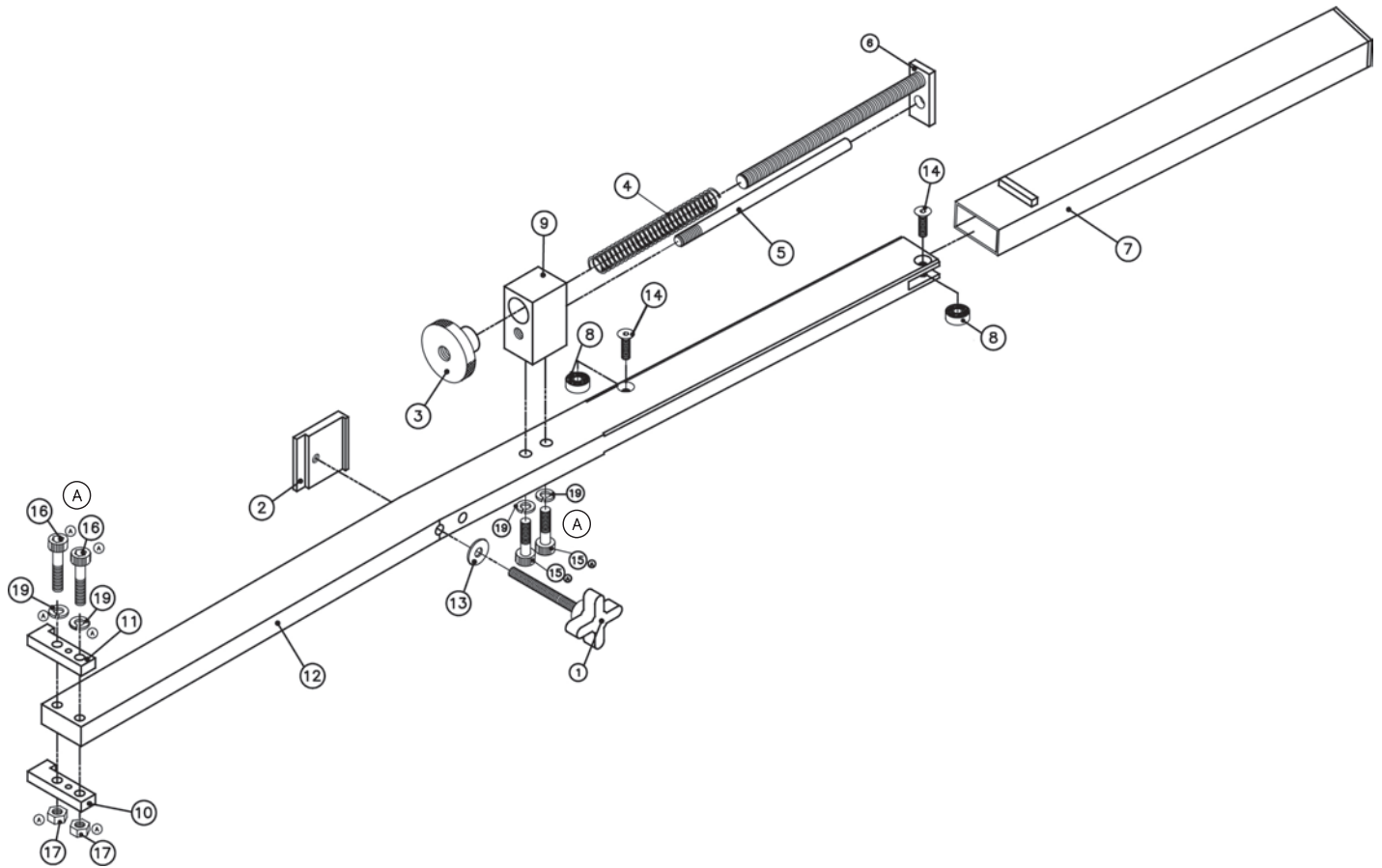
ITEM	PART NUMBE	DESCRIPTION	QTY.
1	N-05	LOCKNUT	5
2	W-05	LOCK WASHER	5
3	205-SZZG	BEARING	5
4	CR-36165	COVER, SHAFT EXTENSION	2
5	CR-350859	COVER, BLIND	2
6	CR-36923	KNOB, STANDARD	1
7	CR-35841	INSERT, GEAR BOX CLEVIS	1
8	CR-99362	SPRING	1
9	CR-35268	PLUNGER STUD SHAFT	1
10	CR-35923	CLEVIS, IDLER SHIFTER	1
11	CR-35418	STUD FOR IDLER GEAR	1
12	CR-35300	MOTHER GEAR	1
13	CR-35347	SHAFT, LOWER MOTHER GEAR	1
14	-	KEY, LOWER SHAFT	1
15	CR-35328	SHAFT, UPPER GEAR STACK	1
16	-	KEY, UPPER SHAFT	1

ITEM	PART NUMBER	DESCRIPTION	QTY
17	CR-36455	SPACER	1
18	CR-35563	GEAR (40T), SHIFTER GEAR BOX	1
19	CR-35860	GEAR (35T), SHIFTER GEAR BOX	1
20	CR-35564	GEAR (30T), SHIFTER GEAR BOX	1
21	CR-35568	GEAR (25T), SHIFTER GEAR BOX	1
22	CR-35567	GEAR (20T), SHIFTER GEAR BOX	1
23	CR-35384	GEAR, IDLER (35T)	1
24	CR-35337	SPACER, IDLER	1
25	5000-334	RETAINER	2
26	209-SZZ	BEARING	2
27	5000-206	RETAINER	3
28*	CR-36292	COVER, SHIFTER GEAR BOX	(1)
29*	CR-350599	HSG, SHIFTER GEAR BOX (ZLG-1417-D)	(1)
30	CR-35922	SPACER, STACKED GEAR SHAFT	1
31	CR-35601	GEAR (15T), SHIFTER GEAR BOX	1

\*ITEMS ARE SHOWN ONLY FOR ASSEMBLY PURPOSES BUT ARE NOT SOLD AS PART OF CR-36342-ZLM

# PUSHER ASSEMBLY W/O CHAIN LINKS

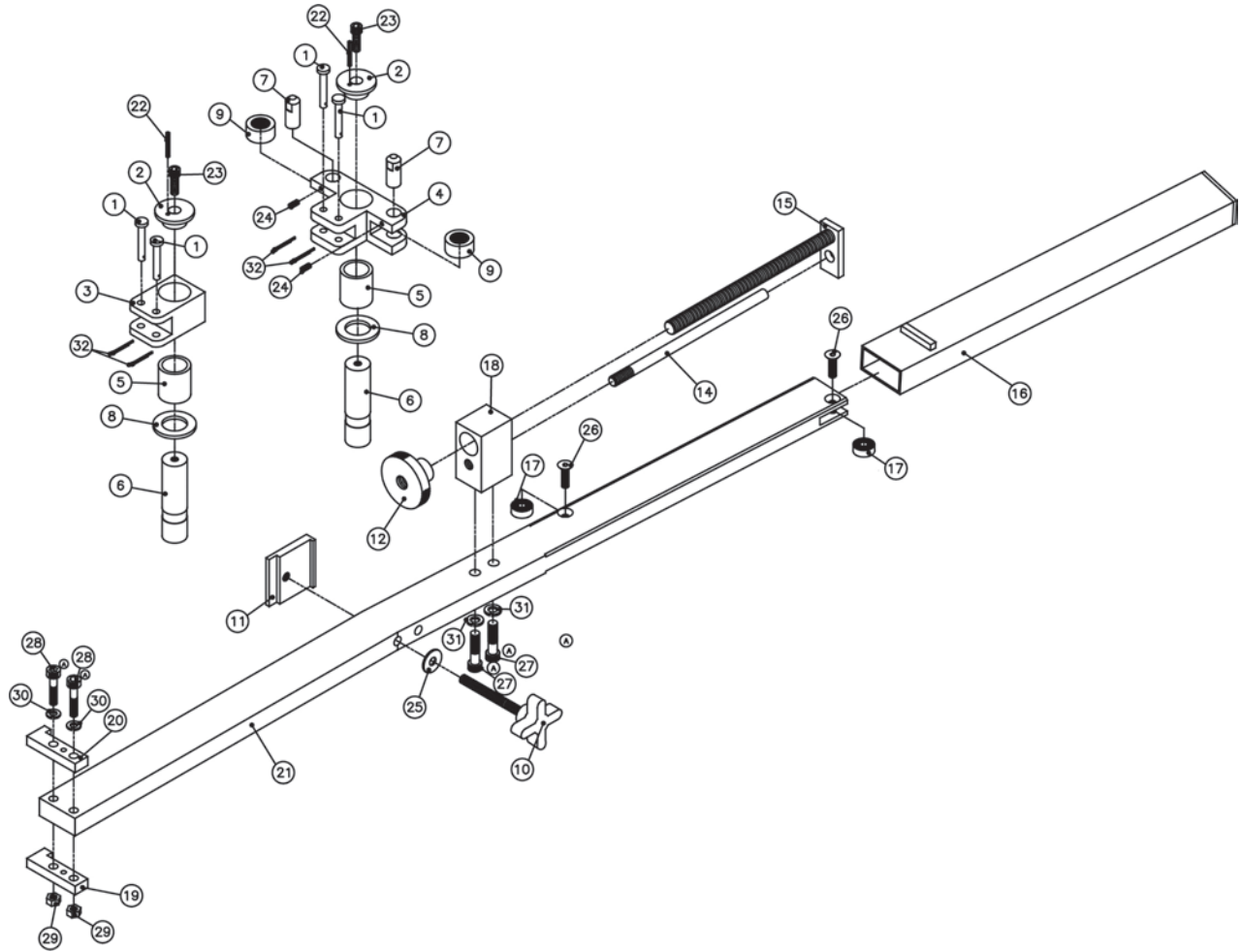
## CR-36931-A



ITEM	PART NUMBER	DESCRIPTION	QTY
1	CR-35366	SCREW, PUSHER HOR. AD. CLAMP	1
2	CR-35057	CLAMP, PUSHER HORIZONTAL ADJ.	1
3	CR-35332	KNOB, SLEEVE-PUSHER ADJUSTMENT	1
4	SPR-59	SPRING, DROP TABLE LATCH	1
5	CR-35329	ROD, SPRING SUPPORT	1
6	CR-35445	LIFTER, PUSHER ADJUSTMENT	1
7	CR-35309	TUBE, PUSHER SLIDING	1
8	R-4AFF-4	BEARING	2
9	CR-35448	BLOCK, PUSHER ADJUSTMENT	1
10	CR-35059	GIB, PUSHER BAR	1

ITEM	PART NUMBER	DESCRIPTION	QTY.
11	CR-35060	GIB, PUSHER BAR	1
12	CR-35397	BAR, PUSHER	1
13	-	WASHER, PLAIN 5/16"	1
14	-	FHSCS, 1/4-20 UNC X 3/4" LONG	2
15	-	S.H.C.S., 5/16-18 UNC X 1.25"L	2
16	-	S.H.C.S., 5/16-18 UNC X 1.75"L	2
17	-	NUT, HEX STEEL 5/16-18 INC	2
18	-	-	-
19	-	LOCK WASHER, 5/16" STEEL	4



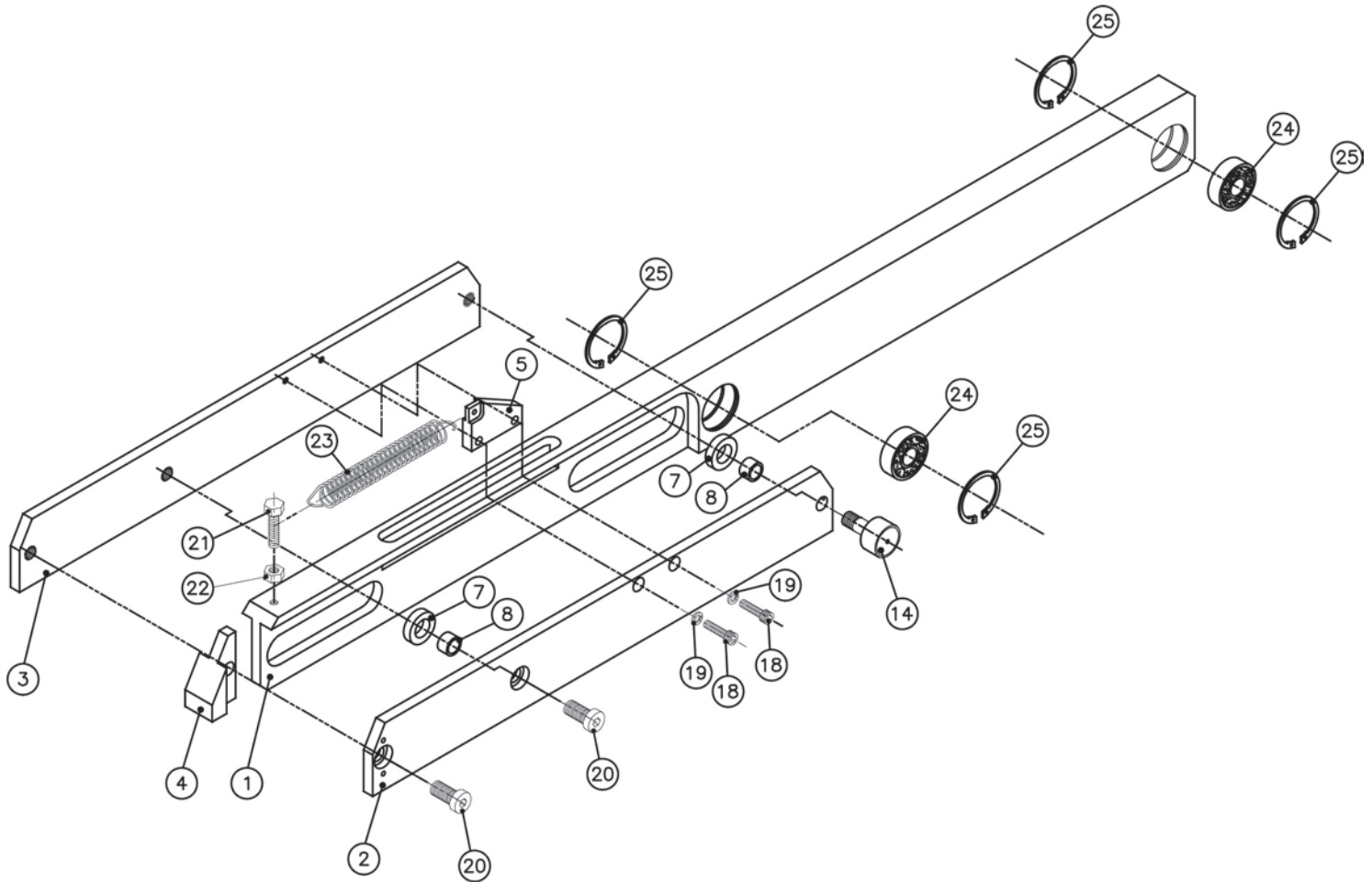


ITEM	PART NUMBER	DESCRIPTION	QTY
1	CR-35235	PIN, PUSHER LINK	4
2	CR-35261	CAP, PUSHER LINK PIN	2
3	CR-35259	LINK, PUSHER CHAIN UPPER	1
4	CR-35249	LINK, PUSHER CHAIN LOWER	1
5	1108-7	BRONZE BUSHING	2
6	CR-35258	PINK, PISHER LINK	2
7	CR-35257	PIN, PUSHER CHAIN LIFT ROLLER	2
8	TB-1624	BEARING, BRONZE THURST	2
9	SRF-20	CAM BEARING	2
10	CR-35366	SCREW, PUSHER HOR. ADJ. CLAMP	1
11	CR-35057	CLAMP, PUSHER HORIZONTAL ADJ.	1
12	CR-35332	KNOB, SLEEVE-PUSHER ADJUSTMENT	1
14	CR-35329	ROD, SPRING SUPPORT	1
15	CR-35445	LIFTER, PUSHER ADJUSTMENT	1
16	CR-35309	TUBE, PUSHER SLIDING	1

ITEM	PART NUMBER	DESCRIPTION	QTY.
17	R-4AFF-4	BEARING	2
18	CR-35448	BLOCK, PUSHER ADJUSTMENT	1
19	CR-35059	GIB, PUSHER BAR	1
20	CR-35060	GIB, PUSHER BAR	1
21	CR-35397	BAR, PUSHER	1
22*	-	PIN, ROLL, 1/8"DIA. X 1" LONG	2
23*	-	SHCS, 1/4-20 X 3/4" LONG	2
24*	-	SOCKET SET SCREW, 10-32 X 3/8"L	2
25	-	WASHER, PLAIN 5/16"	1
26	-	FHSCS, 1/4-20 X 3/4" LONG	2
27	-	SHCS, 5/16-18 X 1.25"L	2
28	-	SHCS, 1/4-20 X 1.75"L	2
29	-	NUT, HEX STEEL 1/4-20	2
30	-	LOCK WASHER, 1/4" STEEL	2
31	-	LOCK WASHER, 5/16" STEEL	2
32	-	PIN, COTTER, 1/16DIA. X 1/2" LG	4

# PUSHER BAR ASSEMBLY (W/O CAM ROLLS)

## CR-350103-DS



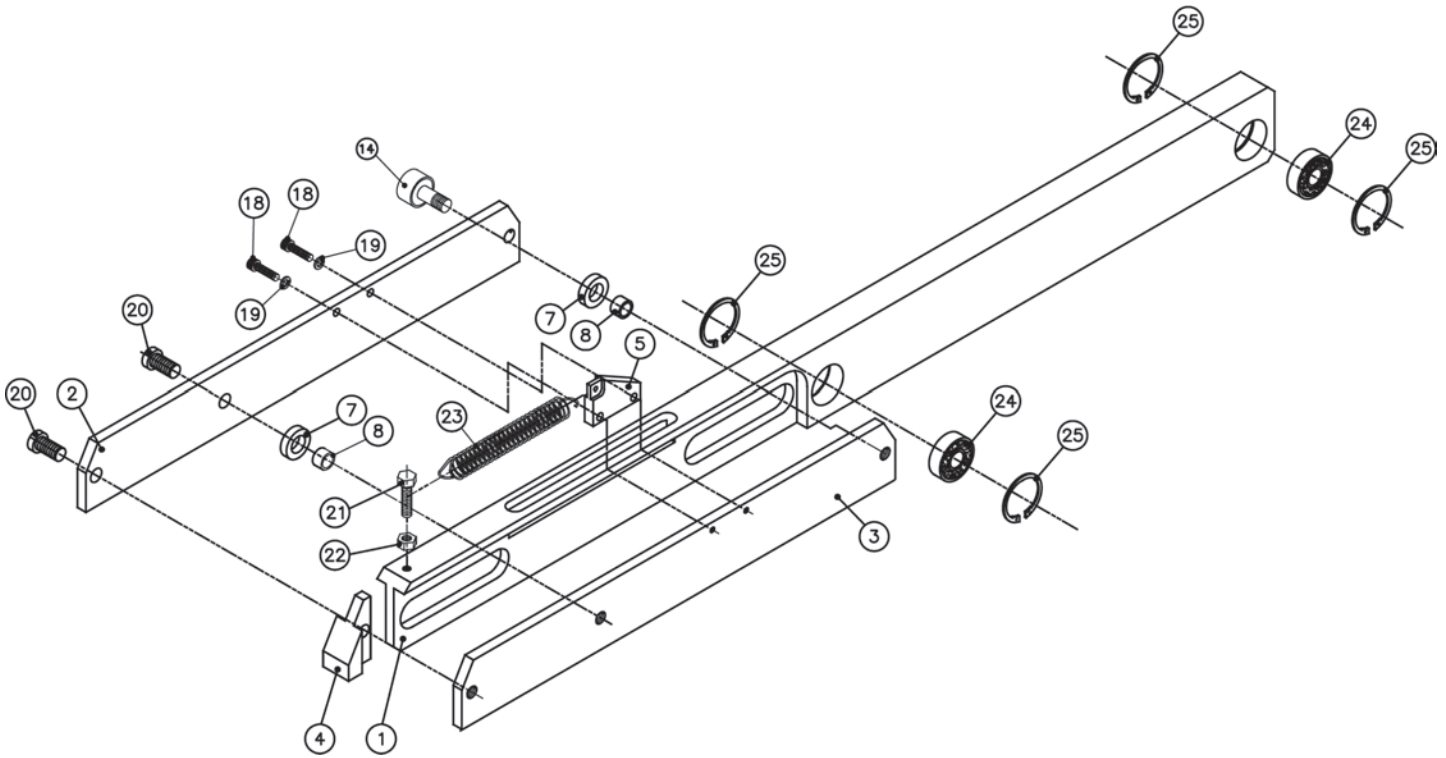
ITEM	PART NUMBER	DESCRIPTION	QTY.
1	CR-35775	PUSHER ARM DRIVE SIDE	1
2	CR-35854	ADJ. PUSHER ARM D.S. OUTSIDE	1
3	CR-35855	ADJ. PUSHER ARM D.S. INSIDE	1
4	CR-35950	PUSHER ARM END PLATE	1
5	CR-36280	PLATE - SPRING ARM	1
7	CR-36212	BRONZE ROLLER	2
8	CR-36213	SPACER	2
14	1009-510700	CAM FOLLOWER	1

ITEM	PART NUMBER	DESCRIPTION	QTY.
18	1215-509500	SOC HD CAP SCR 10-32 X 3/4"LG	2
19	1208-30	#10 STL LOCK WASHER	2
20	1215-563990	LW HD SOC CAP SCR 3/8-16 X 3/4"L	2
21	1215-100400	HEX HEAD CAP SCR 1/4-20 X 7/8"L	1
22	1215-150	HEX NUT STL. 1/4-20	1
23	1048-260	EXT. SPRING LEE# LE-055F-7	1
24	MRC-201SZZ	BEARING	2
25	5000-125	RET. RING	4

### WARNER CLUTCH (NOT SHOWN)

PART NUMBER	DESCRIPTION
PC-825	NORMAL DUTY CLUTCH FITS ALL S&S PUSHER BAR ASSEMBLIES





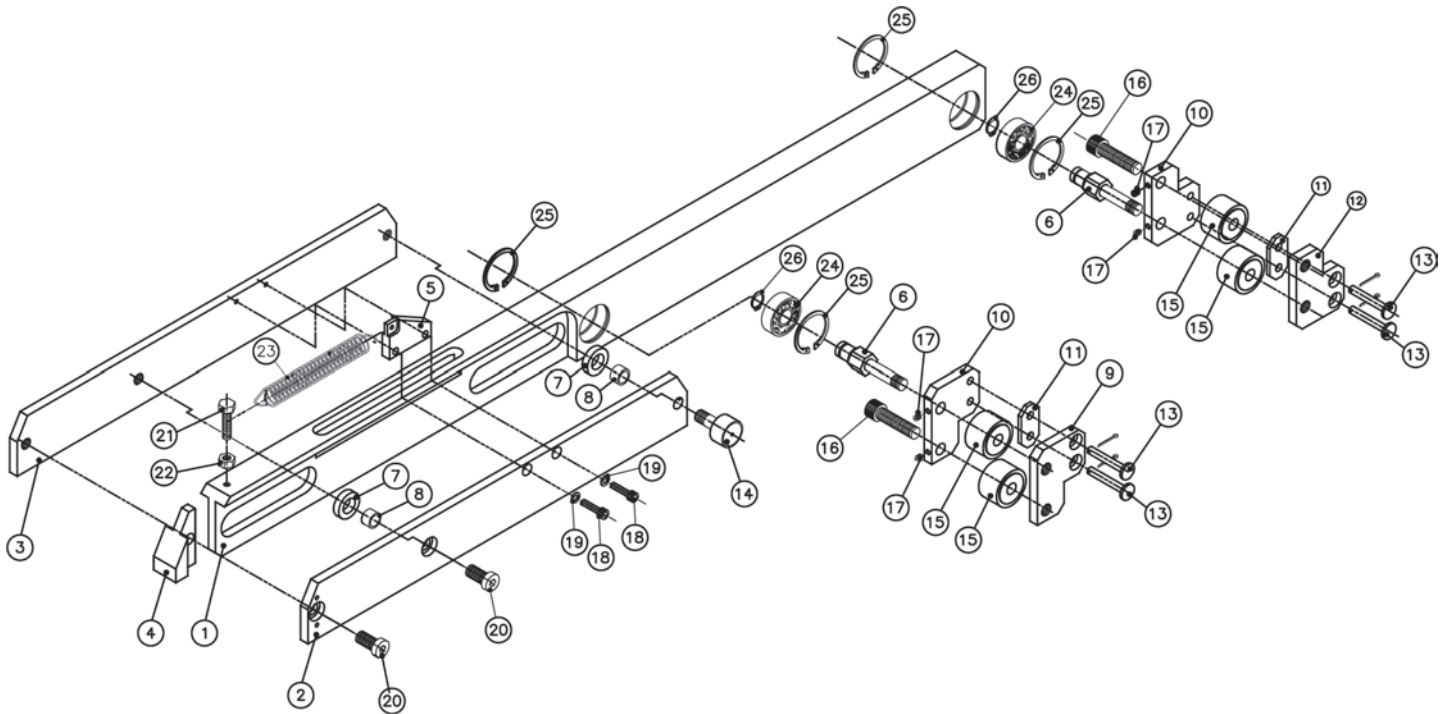
ITEM	PART NUMBER	DESCRIPTION	QTY
1	CR-35774	PUSHER ARM OPERATOR SIDE	1
2	CR-35947	ADJ. PUSHER ARM O.S. OUTSIDE	1
3	CR-35855	ADJ. PUSHER ARM D.S. INSIDE	1
4	CR-35950	PUSHER ARM END PLATE	1
5	CR-36280	PLATE - SPRING ARM	1
7	CR-36212	PUSHER ARM ROLLER	2
8	CR-36213	SPACER	2
14	1009-510700	CAM FOLLOWER	1

ITEM	PART NUMBER	DESCRIPTION	QTY.
18	1215-509500	SOC HD CAP SCR 10-32 X 3/4"LG	2
19	1208-30	#10 STL LOCK WASHER	2
20	1215-563990	LW HD SOC CAP SCR 3/8-16 X 3/4"L	2
21	1215-100400	HEX HEAD CAP SCR 1/4-20 X 7/8"L	1
22	1215-150	HEX NUT STL. 1/4-20	1
23	1048-260	EXT. SPRING LEE# LE-055F-7	1
24	MRC-201SZZ	BEARING	2
25	5000-125	RET. RING	4

# PUSHER BAR ASSEMBLY D.S.

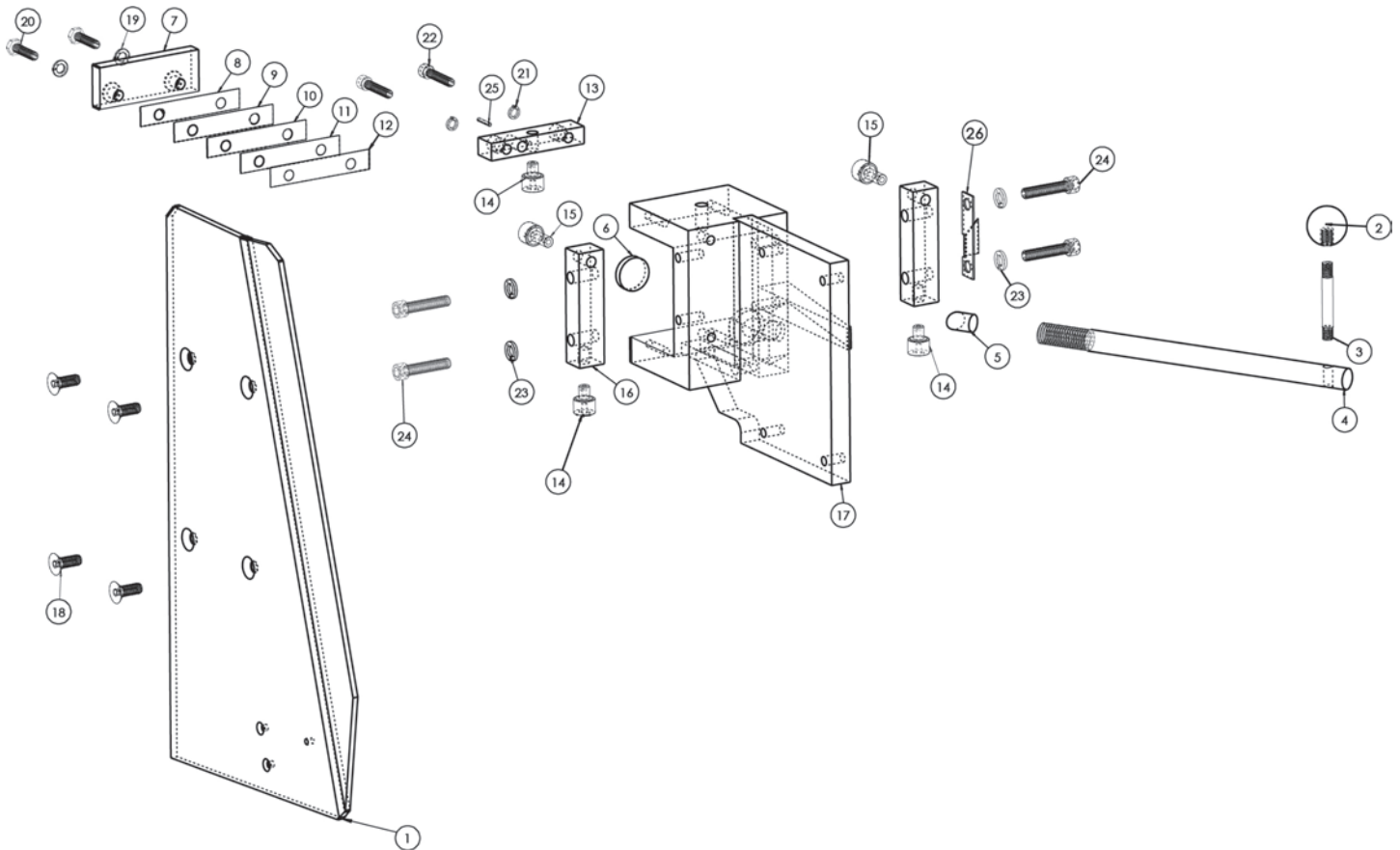
## CR-98001-DS (SHOWN)

## CR-98001-OS (ALSO AVAILABLE)



ITEM	PART NUMBER	DESCRIPTION	QTY.
1	CR-35775	PUSHER ARM DRIVE SIDE	1
2	CR-35854	ADJ. PUSHER ARM D.S. OUTSIDE	1
3	CR-35855	ADJ. PUSHER ARM D.S. INSIDE	1
4	CR-35950	PUSHER ARM END PLATE	1
5	CR-36280	PLATE - SPRING ARM	1
6	CR-35195	PUSHER ARM PIN	2
7	CR-36212	PUSHER ARM ROLLER	2
8	CR-36213	SPACER	2
9	CR-35123	FLAT LINK PUSHER CHAIN INSIDE D.S.	1
10	CR-35852	FLAT LINK PUSHER CHAIN OUTSIDE	2
11	CR-35856	SPACER	2
12	CR-35853	FLAT LINK PUSHER CHAIN INSIDE O.S.	1
13	CR-35235	PUSHER PIN LINK ASSEMBLY	4

ITEM	PART NUMBER	DESCRIPTION	QTY.
14	1009-510700	CAM FOLLOWER	1
15	1009-561010	CAM FOLLOWER CYR-1 1/4	4
16	SHCS-38-112	SOC HD CAP SCR. 3/8-16 X 1/2"LG	2
17	1216-2590	FLT PT SOC SET SCR. 8-32 X 1/4"L	4
18	1215-509500	SOC HD CAP SCR 10-32 X 3/4"LG	2
19	1208-30	#10 STL LOCK WASHER	2
20	1215-563990	LW HD SOC CAP SCR 3/8-16 X 3/4"L	2
21	1215-100400	HEX HEAD CAP SCR 1/4-20 X 7/8"L	1
22	1215-150	HEX NUT STL. 1/4-20	1
23	1048-260	EXT. SPRING LEE #LE-055F-7	1
24	MRC-2015ZZ	MRC BEARING	2
25	5000-125	RET. RING	4
26	5160-47	RET. RING	2

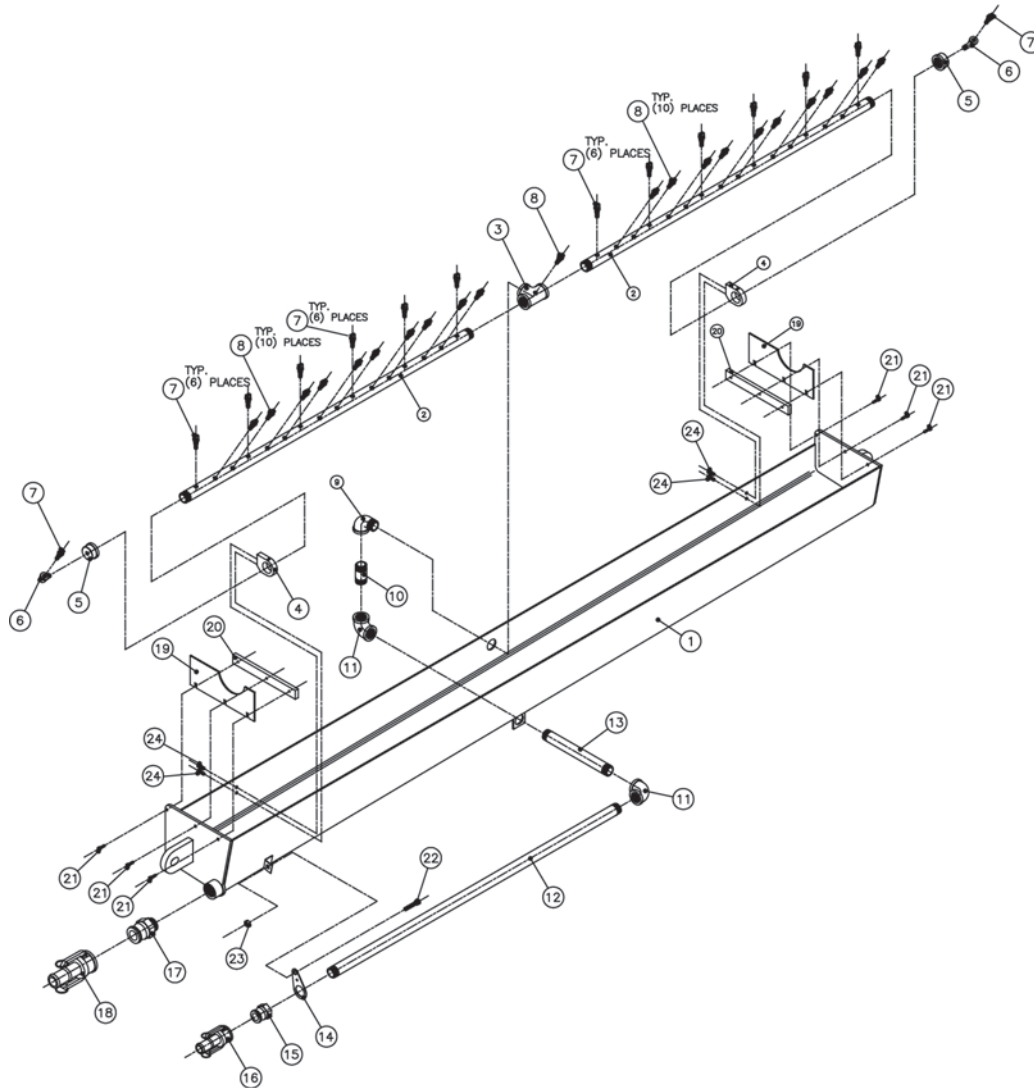


ITEM	PART NUMBER	DESCRIPTION	QTY.
1	CR-350776	SIDE GAUGE PLATE, DRIVE SIDE	1
2	CR-35206	KNOB	1
3	CR-35442	THREADED SHAFT	1
4	CR-35443	ROD	1
5	CR-35440	PALLET - SIDE CARRIAGE (ROUND)	1
6	CR-35441	PAD	1
7	CR-36421	GIB, FRONT & SIDE GAUGE BKT	1
8	CR-350433-1	SHIM, CAM FOLLOWER PLATE	1
9	CR-350433-2	SHIM, CAM FOLLOWER PLATE	1
10	CR-350433-3	SHIM, CAM FOLLOWER PLATE	1
11	CR-350433-4	SHIM, CAM FOLLOWER PLATE	1
12	CR-350433-5	SHIM, CAM FOLLOWER PLATE	1
13	CR-350457	PLATE, CAM FOLLOWER	1

ITEM	PART NUMBER	DESCRIPTION	QTY.
14	CR-36423-1	CAM FOLLOWER, GAUGES	3
15	CF-3/4	CF-3/4 CAM FOLLOWER	2
16	CR-36423	BLOCK, SIDE GAUGE	2
17	CR-35967	BRACKET, SIDE GAUGE, DRIVE SIDE	1
18	FHCS-38-1	3/8-16 X 1" LG FHCS	4
19	LW-516	LOCK WASHER, 5/16"	2
20	HHCS-516-114	5/16-18 X 1-1/4" LG HHCS	2
21	LW-516-SP	5/16 LOCK WASHER FOR SHCS	2
22	SHCS-516-112	SCKT HD CAP SCREW, 5/16"-18 UNC X 1 1/2"	2
23	LW-38	3/8" LOCK WASHER	4
24	SHCS-38-134	3/8-16 X 1-1/4" LG SHCS	4
25	RP-18-34	1/8 X 3/4" LG. ROLL PIN	1
26	CR-36255	INDICATOR, SIDE GAUGE, DS	1

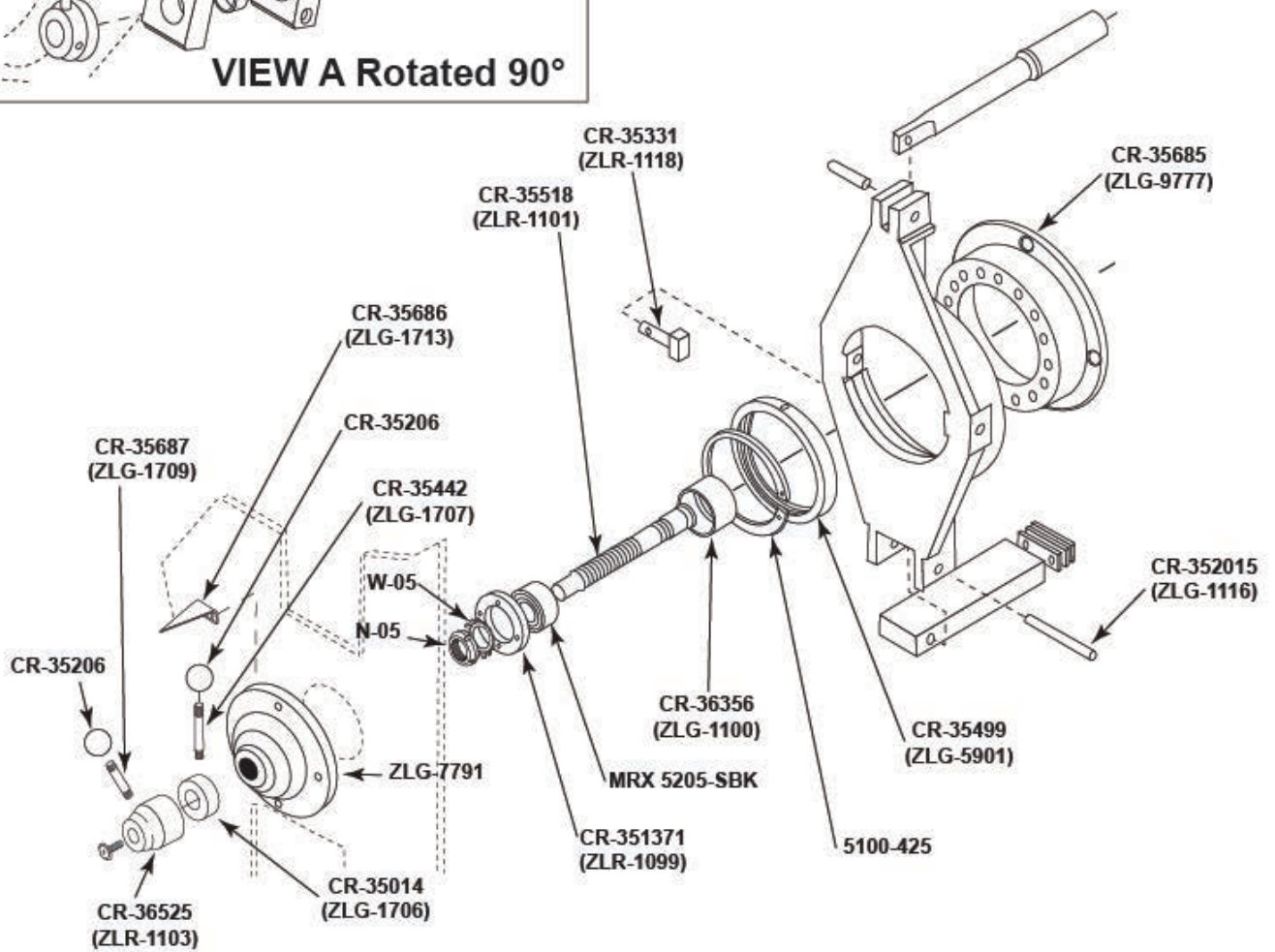
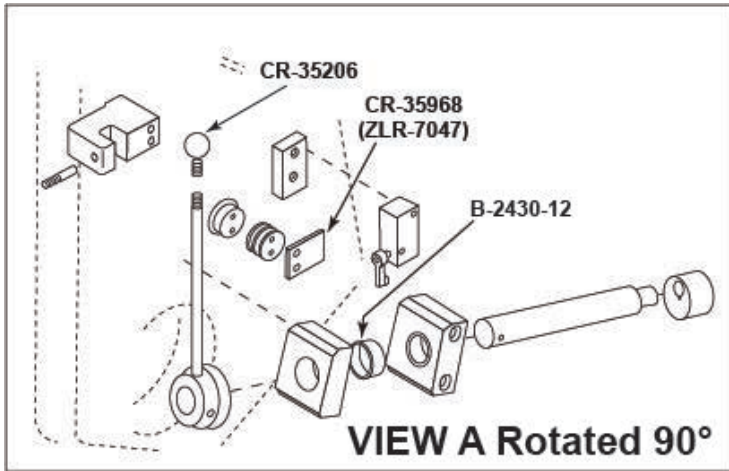
# INK TROUGH ASSEMBLY W/AUTO WASH

## CR-351065-A



ITEM	PART NUMBER	DESCRIPTION	QTY
1	CR-351065	INK TROUGH, ONE PIECE	1
2	CR-351075	PIPE, SPRAY MANIFOLD	2
3	CR-350412	TEE, WASH-UP MANIFOLD	1
4	CR-350414	SUPPORT, MANIFOLD PIPE	2
5	CR-36067	END CAP, WASH-UP MANIFOLD	2
6	CR-350040	90° STREET ELBOW (1/8")	2
7	CR-350039	NOZZLE, TYPE 'W'	13
8	CR-350038	NOZZLE, TYPE 'W'	23
9	CR-350428	90° STREET ELBOW (3/4")	1
10	CR-350471	2" PIPE NIPPLE (3/4")	1
11	CR-350036	90° ELBOW (3/4")	2
12	CR-351076-1	MANIFOLD SUPPLY LINE A	1

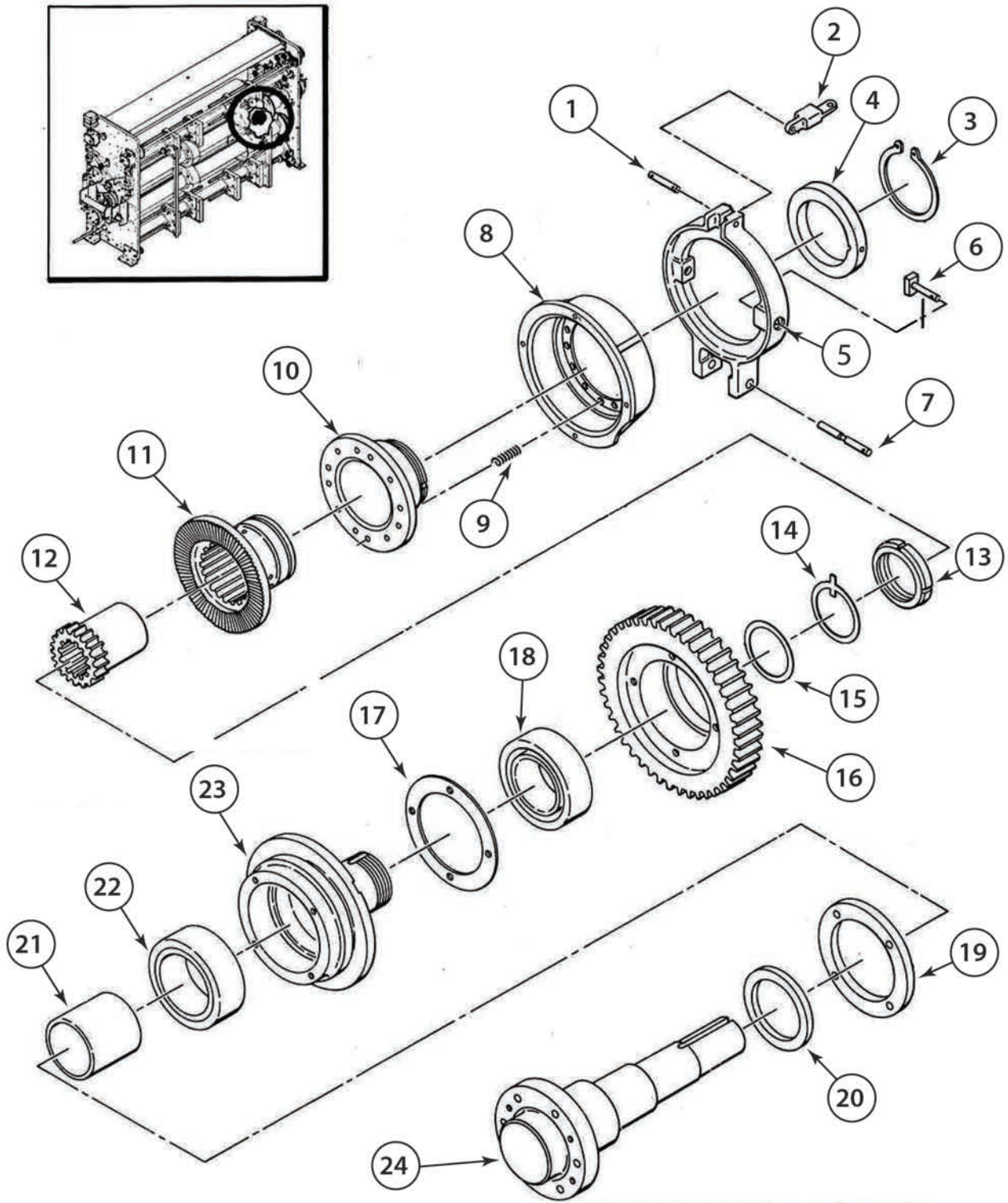
ITEM	PART NUMBER	DESCRIPTION	QTY
13	CR-351076-2	MANIFOLD SUPPLY LINE B	1
14	CR-350470	PIPE STRAP	1
15	CR-350032	ADAPTER (3/4")	1
16	CR-350031	COUPLER, SHANK (3/4")	1
17	CR-350030	ADAPTER (1")	1
18	CR-350029	COUPLER, SHANK (1")	1
19	CR-36087	RUBBER SKIRT	2
20	CR-36088	BACKING STRIP	2
21	91251A344	#10-32 X 5/8" LG S.H.C.S.	6
22	91251A587	5/16-18 X 1-1/2LG S.H.C.S.	1
23	95462A030	5/16-18 HEX NUT	1
24	91251A537	1/4-20 X 1/2LG S.H.C.S.	4





# LOWER PRINT CYLINDER RUNNING REGISTER MODEL ZLR 50 - FOLDER GLUER

Reference next page for part list



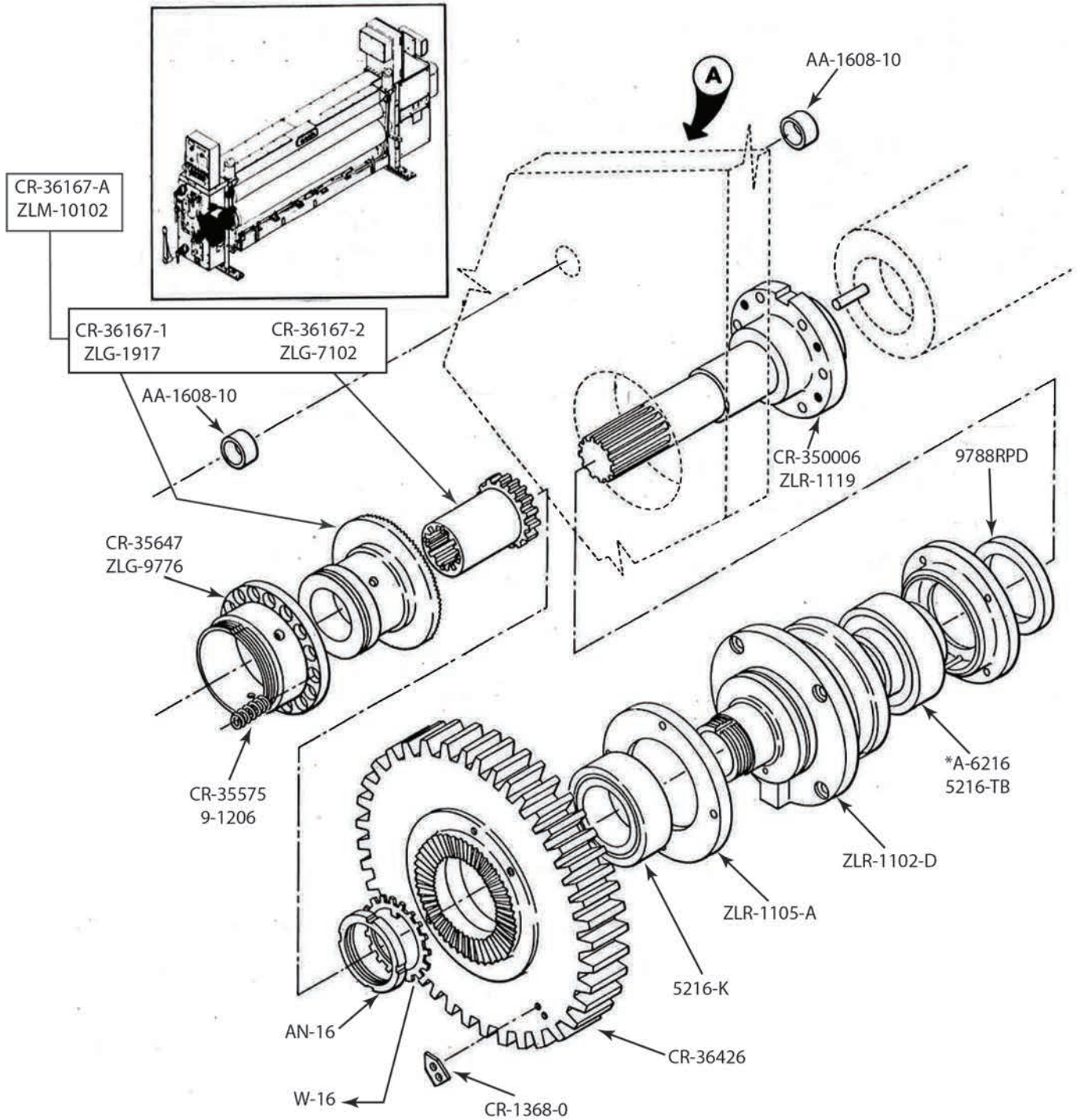
# LOWER PRINT CYLINDER RUNNING REGISTER

## MODEL ZLR 50- FOLDER GLUER

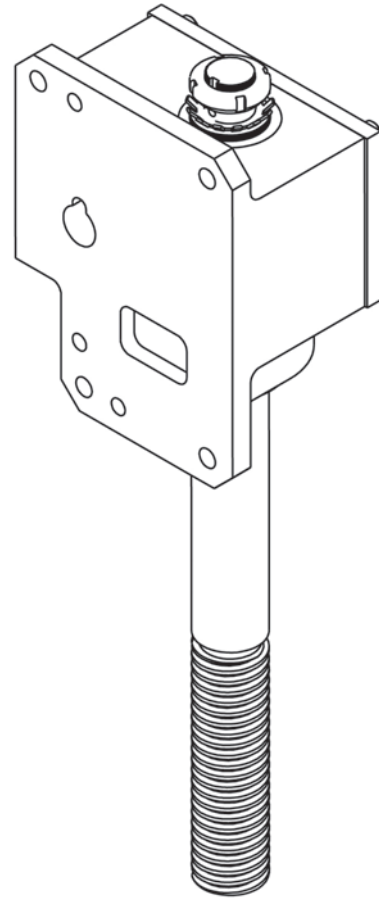
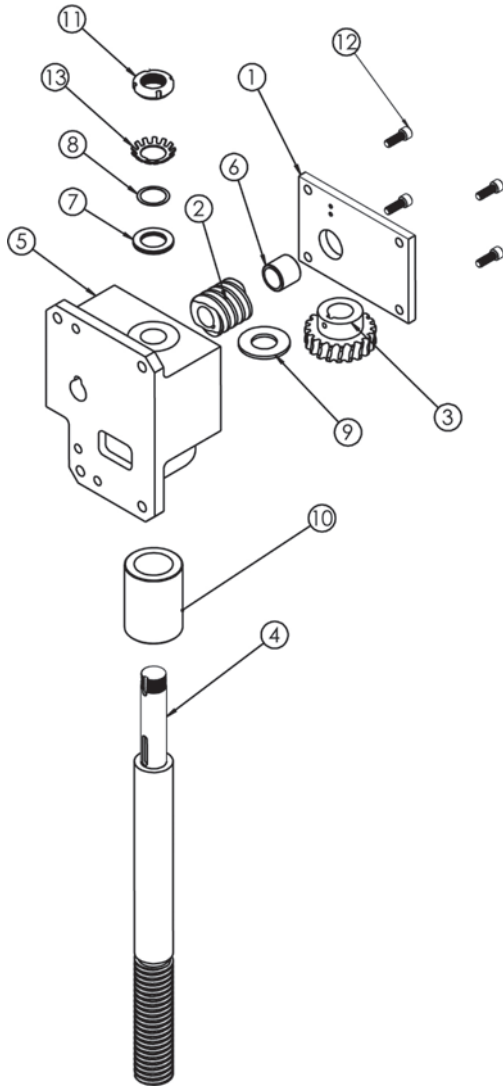
ITEM #	CR #	OEM #	DESCRIPTION	QTY.
1	CR-35345	ZLG-7668	PIN, Running register handle	1
2	CR-35269	ZLG-7987	CLUTCH LINK, Running register	1
3	5100-425	SH-425	RETAINER	1
4	CR-35499	ZLG-5901	LOCK RING Intermediate helical gear pressure hub	1
5	CR-35725	ZLG-6169	CLUTCH RELEASE YOKE LEVER, Running register	1
6	CR-35330	ZLG-6170	STUD, Running register level	2
7		1-ZLG-7676	PIN, Running register level	1
8	CR-35724	ZLG-7883	COVER, Spring support	1
9	CR-35575	9-1206-21	SPRING	12
10	CR-35862	ZLG-3118E	PRESSURE HUB, Internal helical gear pressure	1
11	CR-36167-1	ZLG-1917	GEAR, Internal Helical	1
12	CR-36167-2	ZLG-7102	GEAR, External	1
	CR-36167-A	ZLM-10126	SQUARE GEAR SET (CR-36167-1 & CR-36167-2)	SET
13		AN-16	LOCKNUT	1
14		W-16	LOCKWASHER	1
15	CR-35502	ZLG-7662	WASHER	1
16	CR-36760	ZLG-7060	REGISTER GEAR, Running register	1
17	CR-352018	ZLG-7061	RETAINER, Bearing	1
18	5216-K	5216-M	BEARING	1
19		ZLG-7048	RETAINER, Seal	1
20	37532	500324	SEAL, Oil, Type "P"	1
21	CR-35764	ZLG-9158	TIMIING PULLY	1
22	CR-352341	5216-T5	BEARING (inner race omitted)	1
23		ZLG-7047	HOUSING, Bearing	1
24	CR-351096	ZLG-7077	TRUNNION, Lower print cylinder	1



# RUNNING REGISTER ADJUSTMENT ASSEMBLY MODEL ZLR - FOLDER GLUER



\*Takes both to make one.

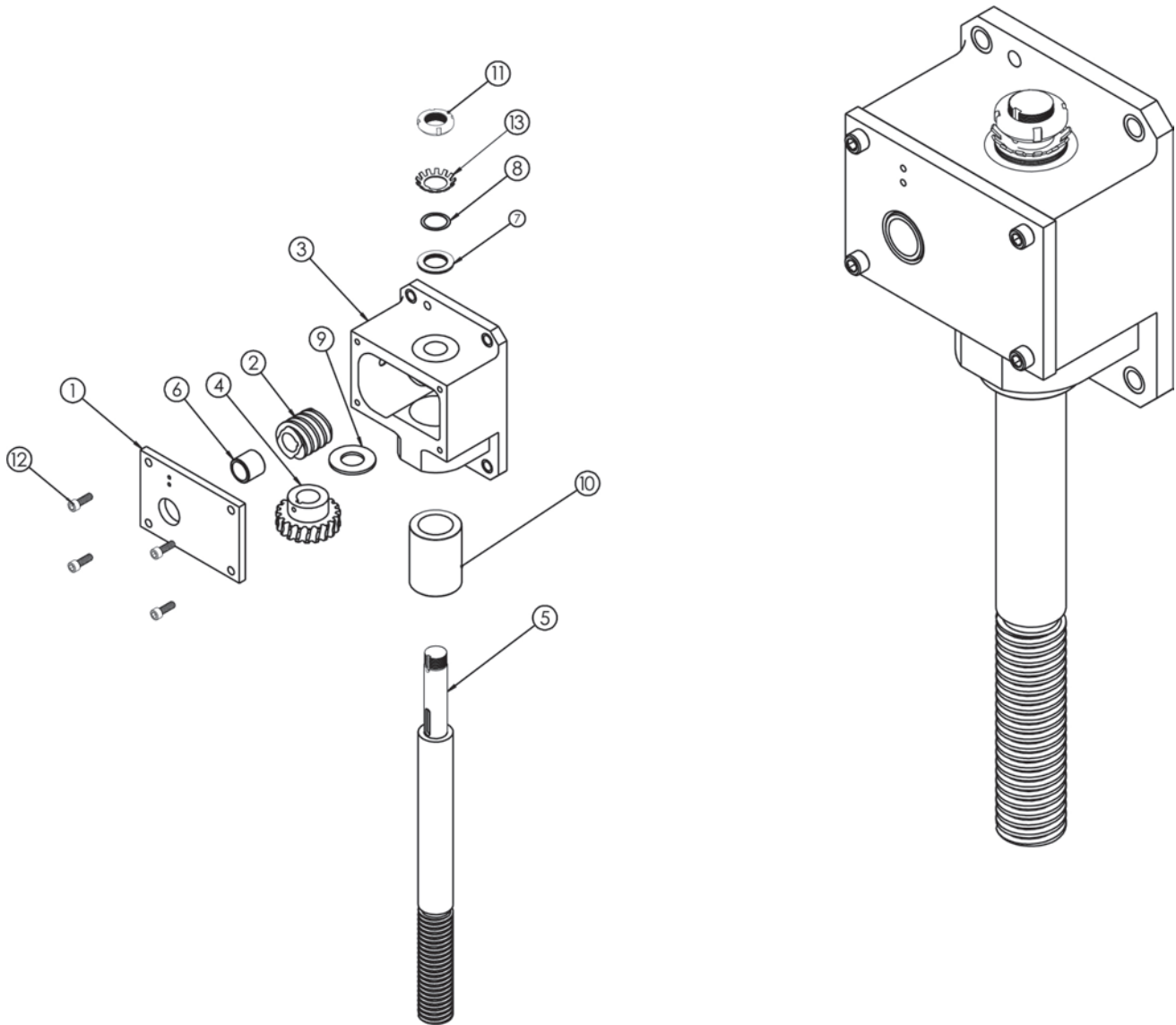


ITEM	PART NUMBER	DESCRIPTION	QTY
1	CR-35537	COVER, ROCKER ADJ. HOUSING	1
2	CR-35382	WORM, BRACKET ADJUSTMENT (RH)	1
3	CR-35394	RH WORM GEAR (20T), BRACKET ADJ.	1
4	CR-351394	SCREW SHAFT	1
5	CR-351285	HOUSING, ROCKER ADJUSTING	1
6	B-1420-8	BUSHING	1
7	E-9	THRUST BEARING (AETNA)	1

ITEM	PART NUMBER	DESCRIPTION	QTY
8	FW-1	1" FLAT WASHER	1
9	FW-1-2-18	1 X 2 X 1/8 WASHER	1
10	M2436-24	BOSTON BUSHING	1
11	N-05	LOCK NUT	1
12	SHCS-516-78	5/16 X 7/8" LG. SHCS	4
13	W-05	LOCK WASHER	1

# FOLDING RAIL LIFT - OPERATOR SIDE

## CR-352927-0



ITEM	PART NUMBER	DESCRIPTION	QTY
1	CR-35537	COVER, ROCKER ADJ. HOUSING	1
2	CR-35382	WORM, BRACKET ADJUSTMENT (RH)	1
3	CR-351286	HOUSING, ROCKER ADJUSTING	1
4	CR-35394	RH WORM GEAR (20T) BRACKET ADJ.	1
5	CR-351394	SCREW SHAFT	1
6	B-1420-8	BUSHING	1
7	E-9	THRUST BEARING (AETNA)	1

ITEM	PART NUMBER	DESCRIPTION	QTY
8	FW-1	1" FLAT WASHER	1
9	FW-1-2-18	1 X 2 X 1/8 WASHER	1
10	M2436-24	BOSTON BUSHING	1
11	N-05	LOCK NUT	1
12	SHCS-516-78	5/16 X 7/8" LG. SHCS	4
13	W-05	LOCK WASHER	1

### QUICK RELEASE PULL ROLL INSTALLATION INSTRUCTIONS

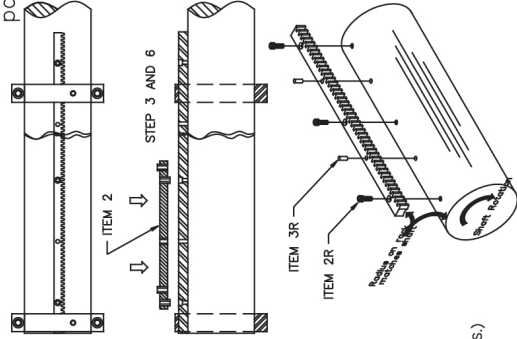
page 1

PACK BILL OF MATERIAL			
3R	MMC # 95755A319	3/16 DIA X 3/4 LG COIL SPRING PIN	22
2R	MMC #91251A194	#8-32 X 1/2 LG SHCS	24
1R	CR-99492	RACK (INCLS 2 PCS REQ'D) 143" OAL	1

RACK INSTALLATION BILL OF MATERIAL			
8	CR-5001-PRQAKI	INSTRUCTIONS WITH BILL OF MATERIAL (4) PAGES	1
7	MMC # 91458A24	LOCTITE 242, OZ. CAPSULE	1
6	CR-990664	EXTRUDED ALUMINUM I-BEAM LEVEL (MAGNETIC)	1
5	TTS #649212	3/16(.1875 DIA) HS DRILL	2
4	TTS #682607	#8(.184 DIA)-32UNC TAP	2
3	TTS #649399	#29(.1360 DIA) HS DRILL	2
2	CR-99485-1	DRILL JIG	1
1	CR-99492-AC	CLAMP, ASSY	2
ITEM	PART NUMBER	DESCRIPTION	QTY.

- NOTES:  
 1) PRIOR TO INSTALLATION SEE INSTRUCTIONS AND BILL OF MATERIAL.  
 2) USED WITH CR-5001-PRQ  
 3) PULL ROLL REQ'D PER SHAFT CLAMPING BOLTS (11 REQUIRED)  
 4) MACHINE SHAFT SHOULD BE FREE OF RAISED BURRS BEFORE STARTING ASSEMBLY.  
 5) SHAFT SHOULD BE CLEAN.

page 3

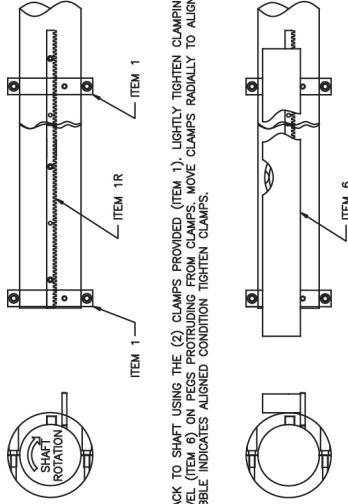


- PLACE DRILL JIG (ITEM 2) ON RACK WITH #.136 BUSHING IN LOCATION AS SHOWN AND MARKED.
- DRILL (2) #29(.136) HOLES (W/ITEM 3) (USE LUBRICANT) X 5/8" DEEP AND (1) 3/16(.1875) HOLE (W/ITEM 5) 3/8" DEEP IN CENTER, USE SLOW DRILLING SPEED ON ALL HOLES.
- CLEAN CHIPS OUT OF HOLES.
- FLIP DRILL JIG OVER AND PLACE IN SAME HOLES AS SHOWN.
- USING TAP FLUID, TAP #8-32UNC (2) HOLES (W/ITEM 4) USING DRILL JIG AS GUIDE.
- CLEAN OUT HOLES.
- INSTALL (1) #8-32 X 1/2" LG SHCS (ITEM 2R) AND (1) 3/16 DIA X 3/4 LG COIL SPRING PIN (ITEM 3R).
- MOVE DRILL JIG OVER ONE COUNTER BORED HOLE.
- REPEAT STEPS 4) THRU 10) DRILLING UNFINISHED HOLES UNTIL ALL THREADED AND PIN HOLES ARE COMPLETE.
- INSTALL RACK TO SHAFT PER ILLUSTRATION. APPLY A DROP OF LOCTITE (ITEM 7) TO SOFT THREADS OF SHCS.
- TORQUE ALL #8-32UNC SHCS TO 55.0 INCH LBS.)

page 2

#### BACK ASSEMBLY STEPS (SEE NOTES 1 THRU 5, PAGE 1)

- ALIGN RACK (ITEM 1R) TO MACHINE SHAFT MAKING SURE THE TEETH ARE FACING IN THE DIRECTION OF SHAFT ROTATION, RADIUS AGAINST O.D. OF THE SHAFT AND LENGTH PARALLEL TO CENTER OF THE SHAFT.

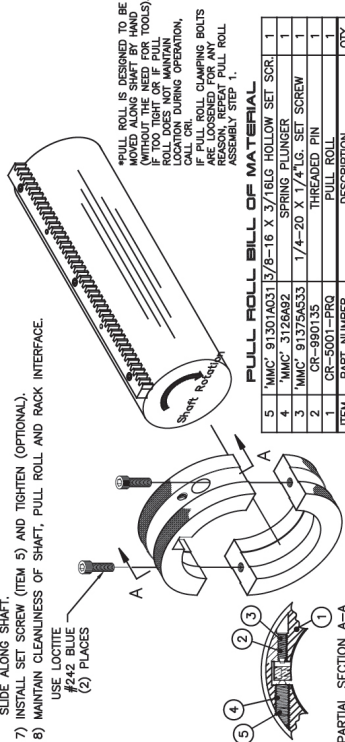


- SECURE RACK TO SHAFT USING THE (2) CLAMPS PROVIDED (ITEM 1). LIGHTLY TIGHTEN CLAMPING SCREWS. PLACE LEVEL (ITEM 6) ON PEGS PROTRUDING FROM CLAMPS. MOVE CLAMPS RADially TO ALIGN RACK. WHEN LEVEL BUBBLE INDICATES ALIGNED CONDITION TIGHTEN CLAMPS.

page 4

#### PULL ROLL ASSEMBLY STEPS

- ASSEMBLE PULL ROLL ON SHAFT. (TORQUE (2) 1/4-20 UNC S.H.C.S TO 200 INCH LBS.)
- ROTATE PULL ROLL FLUSH AGAINST RACK TEETH.
- TIGHTEN SPRING PLUNGER (ITEM 4) ALL THE WAY DOWN, COMPRESSING SPRING FULLY AND OPENING A 1/8" GAP BETWEEN THE RACK AND KEYWAY.
- INSTALL TAPERED SET SCREW (ITEM 2) TIGHTEN UNTIL IT STOPS TURNING AND THEN BACK OUT 1/4 TURN.
- BACK OUT THE SPRING PLUNGER INTO SAME TAPED HOLE AS TAPERED SET SCREW AND TIGHTEN.
- INSTALL SET SCREW (ITEM 3) INTO SAME TAPED HOLE AS TAPERED SET SCREW AND TIGHTEN.
- BACK OUT THE SPRING PLUNGER UNTIL ENOUGH CLEARANCE IS OBTAINED TO ALLOW PULL ROLL TO ROTATE AND SLIDE ALONG SHAFT.
- MAINTAIN CLEANLINESS OF SHAFT, PULL ROLL AND RACK INTERFACE.



PULL ROLL IS DESIGNED TO BE MOVED ALONG SHAFT AND HOLES (WITHOUT THE NEED FOR TOOLS) IF TOO TIGHT OR IF PULL LOCATION DURING OPERATION. CALL CR CORRUGATED REPLACEMENTS, BOLTS ARE LOOSESED FOR ANY REASON, REPEAT PULL ROLL ASSEMBLY STEP 1.

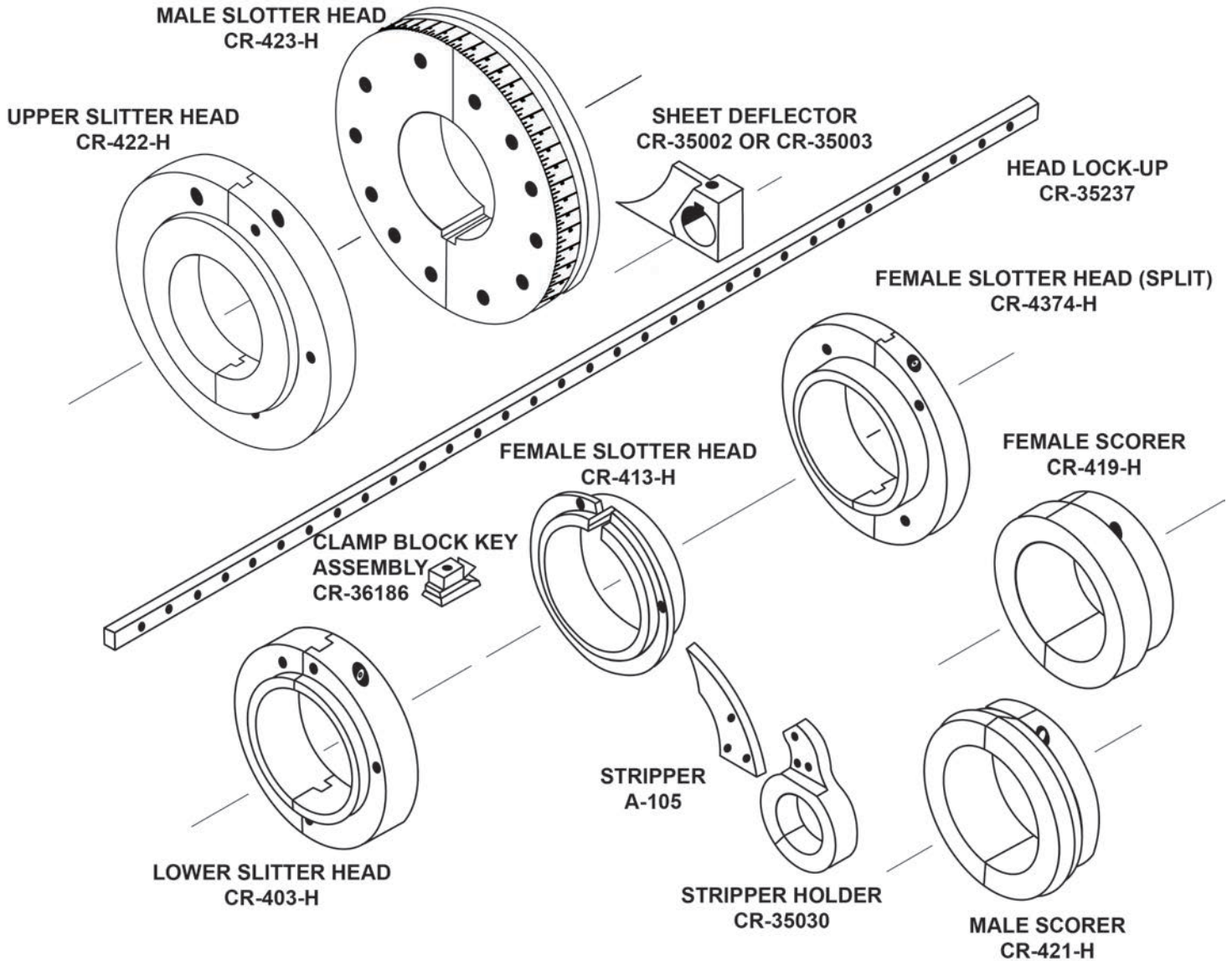
#### PULL ROLL BILL OF MATERIAL

5	MMC' 91307A031	13/8-16 X 3/16LG HOLLOW SET SCR.	1
4	MMC' 3126A92	SPRING PLUNGER	1
3	MMC' 91375A533	1/4-20 X 1/2 LG. SET SCREW	1
2	CR-990135	THREADED PIN	1
1	CR-5001-PRQ	PULL ROLL	1
ITEM	PART NUMBER	DESCRIPTION	QTY.

PARTIAL SECTION A-A



## S & S PARTION SLOTTER SPARE PARTS



## PARTITION SLOTTER PARTS

PART #	DESCRIPTION
CR-35412-F	Fiber Idler Gear 36T (DPA-174-F)
CR-36186	Clamp Block Key Assembly (DPB-10028)
CR-423-H	Male Slotter Head (Split)
CR-4374-H	Female Slotter Head - Split (uses F-307)
CR-35237	Head Lock-Up
F-307	Female Slotter Knife (4 holes per ring)
F-288	.142 B Flute Spacer
F-275	.205 C Flute Spacer
F-289	.250 A Flute Spacer
F-319	.314 Double Wall Spacer
CR-403-H	Lower Slitter Head (Split)
G-74	Lower Trim Knife
CR-422-H	Upper Slitter Head (Split)
G-75	Upper Trim Knife
CR-421-H	Male Score Head (Split)
CR-419-H	Female Score Head (Split)
CR-35002	Sheet Deflector for 1-1/8" Shaft
A-105-B18	1/8" Brass Stripper
A-105-B25	1/4" Brass Stripper
A-105-B36	3/16" Brass Stripper
CR-917-KP	Kicker Plates - Any Flute Lengths: 6", 12", 18", 24" and 30"

# 38" S & S ZLG-ZLM-701 FOLDER GLUER KNIVES



## STANDARD MALE SLOTTER KNIVES - ZLG - ZLM - 701



3 INCH		
PART #	M-5405-S	M-5453-S
DESCRIPTION	SERRATED MALE WITH TIP	SERRATED MALE WITHOUT TIP



6 INCH		
PART #	M-5406-S	M-5456-S
DESCRIPTION	SERRATED MALE WITH TIP	SERRATED MALE WITHOUT TIP



8 INCH		
PART #	M-5408-S	M-5458-S
DESCRIPTION	SERRATED MALE WITH TIP	SERRATED MALE WITHOUT TIP



10 INCH		
PART #	M-5410-S	M-5460-S
DESCRIPTION	SERRATED MALE WITH TIP	SERRATED MALE WITHOUT TIP

## FEMALE SLOTTER KNIVES - ZLG - ZLM - 701



PART #	F-669	F-693	F-725
DESCRIPTION	STANDARD	THIN/PINCH RING	SPACER



PART #	F-196	F-591	F-718
DESCRIPTION	STANDARD	THIN/PINCH RING	SPACER

## TRIM KNIVES - ZLG - ZLM - 701



PART #	G-456	P-394	G-931
DESCRIPTION	PERFORMANCE UPPER	STRAIGHT UPPER	LOWER SLITTER

## STRIPPERS - ZLG - ZLM - 701



PART #	69705-B38	76510-B38
OEM	701-021913-8	ZLM-180-03-8



# 38" S & S ZLG-ZLM-701 FOLDER GLUER MALE SLOTTER KNIVES

SERRATED MALE SLOTTER KNIVES (1/4" THICK)		
CR #	OEM #	SIZE
M-5379-S	944-2022-2	2" TIP
M-5365-S	944-2022-3	3" TIP
M-5384-S	944-2022-4T	4" TIP
M-5385-S	944-2022-5	5" TIP
M-5373-S	944-2022-6	6" TIP
M-5371-S	944-1386-6	6" TIP BEVEL
M-5387-S	944-2022-7	7" TIP
M-18497-S	944-1383-7	7" TIP BEVEL
M-5388-S	944-2022-8	8" TIP
M-5423-S	944-1383-8	8" TIP BEVEL
M-18016-S	KN-2022-9	9" TIP
M-17305-S		9-5/16" TIP
M-17303-S		9-3/8" TIP
M-5352-S	944-2022-0	10" TIP
M-5351-S	944-1383-0	10" TIP BEVEL
M-18829-S	944-2023-1	1"
M-5353-S	944-2023-2	2"
M-5354-S	944-2023-3	3"
M-5355-S	944-2023-4	4"
M-18498-S	944-1384-4	4" BEVEL
M-5356-S	944-2023-5	5"
M-5357-S	944-2023-6	6"
M-5372-S	944-1384-6	6" BEVEL
M-5358-S	944-2023-7	7"
M-5359-S	944-2023-8	8"
M-5425-S	944-1384-8	8" BEVEL
M-5361-S	944-2023-0	10"
M-5364-S	944-1384-0	10" BEVEL

SERRATED MALE SLOTTER KNIVES (3/8" THICK)		
CR #	OEM#	SIZE
M-170929-S		1" TIP
M-18780-S		1-3/4" TIP
M-5404-S	944-2376-2	2" TIP
M-18781-S		2-1/4" TIP
M-18782-S		2-1/2" TIP
M-18783-S		2-3/4" TIP
M-5405-S	944-2376-3A	3" TIP
M-18506-S	944-2378-3	3" TIP (Glue Slot)
M-18784-S		3-1/4" TIP
M-5407-S	944-2376-4	4" TIP
M-5464-S	944-2377-4	4" TIP BEVEL
M-5415-S	944-2376-5	5" TIP
M-5406-S	944-2376-6	6" TIP
M-5466-S	944-2377-6	6" TIP BEVEL
M-5408-S	944-2376-8T	8" TIP
M-5468-S	944-2377-8	8" TIP BEVEL (Glue Slot)
M-5410-S	944-2376-0	10" TIP
M-17552-S	HM-17552	10" TIP (Glue Slot)
M-5420-S	944-2377-0	10" TIP BEVEL (Stitch)
M-18840-S	M-177230-S	11" TIP
M-18842-S		11" TIP (Stitch)
M-170392-S		13" TIP
M-170393-S		13" TIP (Glue Slot)
M-170422-S	M-170422	1"
M-170964-S		1-1/2"
M-5452-S	944-2375-2	2"
M-5453-S	944-2375-3	3"
M-5454-S	944-2375-4	4"
M-5464-S	944-2387-4	4" BEVEL
M-5455-S	944-2375-5	5"
M-5456-S	944-2375-6	6"
M-5411-S	944-2387-6	6" BEVEL (Glue Slot)
M-5458-S	944-2375-8	8"
M-5471-S	M-5471	8" BEVEL (Glue Slot)
M-18134-S		9-1/2" (Stitch)
M-5460-S	944-2375-0A	10"
M-5413-S	944-2378-0	10" BEVEL (Glue Slot)
M-18839-S		11"
M-18841-S		11" (Stitch)

# 50" S & S ZLR FOLDER GLUER KNIVES


## STANDARD MALE SLOTTER KNIVES - ZLR

3 INCH			6 INCH				
	<b>PART #</b>	M-5653-S	M-5663-S		<b>PART #</b>	M-5656-S	M-5666-S
<b>DESCRIPTION</b>	SERRATED MALE WITH TIP		SERRATED MALE WITHOUT TIP	<b>DESCRIPTION</b>	SERRATED MALE WITH TIP		SERRATED MALE WITHOUT TIP

9 INCH			12 INCH				
	<b>PART #</b>	M-5659-S	M-5699-S		<b>PART #</b>	M-56513-S	M-56512-S
<b>DESCRIPTION</b>	SERRATED MALE WITH TIP		SERRATED MALE WITHOUT TIP	<b>DESCRIPTION</b>	MALE WITH TIP		MALE WITHOUT TIP

## GLUEHEAD MALE SLOTTER KNIVES



12 INCH - SERRATED		
<b>PART #</b>	M-56519-S	M-56518-S
<b>DESCRIPTION</b>	SERRATED MALE WITH TIP EXTENDED SLOT & BEVEL	SERRATED MALE WITHOUT TIP EXTENDED SLOT & BEVEL

## DOCTOR BLADES




<b>PART #</b>	1.5X.080"X100'WB-8
<b>PART #</b>	1.5X.090"X100'WB-9

## STRIPPERS



<b>PART #</b>	CR-76101
<b>OEM#</b>	ZLR-1486

## FEMALE SLOTTER KNIVES - ZLR



PART #	F-424	F-787	F-459
<b>DESCRIPTION</b>	STANDARD	THIN/PINCH RING	SPACER

## TRIM KNIVES - ZLR



PART #	G-679	P-416	G-997
<b>DESCRIPTION</b>	PERFORMANCE SLITTER	UPPER SLITTER	LOWER SLITTER

# 50" S & S ZLR FOLDER GLUER MALE SLOTTER KNIVES

SERRATED MALE SLOTTER KNIVES (3/8" THICK)		
CR #	OEM #	SIZE
M-171031-S		1" TIP
M-5652-S	944-2443-2	2" TIP
M-5653-S	944-2443-3	3" TIP
M-5654-S	944-2443-4	4" TIP
M-5655-S	944-2443-5	5" TIP
M-5656-S	944-2443-6	6" TIP
M-5692-S	944-2445-6	6" TIP BEVEL
M-170019-S		7" TIP
M-18601-S	SM-56005	7" TIP BEVEL
M-5658-S	944-2443-8	8" TIP
M-18818-S		8" TIP G/S
M-18362-S		8" STR. TIP G/S
M-5693-S	944-2445-8T	8" TIP BEVEL
M-5659-S	944-2443-9T	9" TIP
M-18817-S		9" TIP G/S
M-5694-S	944-2445-9T	9" TIP BEVEL
M-17824-S	SM-56010	10" TIP
M-18363-S		10" STR. TIP G/S
M-17828-S		11" TIP (Stitch)
M-56513-S	944-2443-12	12" TIP
M-18816-S	944-2445-12GFT	12" TIP G/S
M-56519-S	HM-56519	12" TIP BEVEL (STITCH)
M-18360-S		12" STR. TIP
M-18361-S		12" STR. TIP G/S
M-18477-S	944-2445-0	13" TIP BEVEL (Stitch)
M-170379-S		1"
M-5662-S	944-2444-2	2"
M-5663-S	944-2444-3	3"
M-5664-S	944-2444-4P	4"
M-5665-S	944-2444-5	5"
M-5666-S	944-2444-6	6"
M-5696-S	944-2446-6	6" BEVEL
M-170018-S	944-2444-7	7"
M-18600-S	SM-56006	7" BEVEL
M-5697-S	944-2446-8P	8" BEVEL G/S
M-5668-S	944-2444-8P	8"
M-18365-S		8" G/S
M-5699-S	944-2444-9	9"
M-5698-S	944-2446-9	9" BEVEL (Stitch)
M-17825-S	944-2444-10	10"
M-18366-S		10" G/S
M-17836-S		11" BEVEL (Stitch)
M-56512-S	944-2444-12	12"
M-56518-S	944-2446-1	12" BEVEL (Stitch)
M-56603-S		12" G/S
M-170802-S		13" BEVEL G/S

SERRATED MALE SLOTTER KNIVES (1/4" THICK)		
CR #	OEM #	SIZE
M-5602-S	944-2274-2	2" TIP
M-5603-S	944-2274-3	3" TIP
M-5604-S	944-2274-4	4" TIP
M-5605-S	944-2274-5	5" TIP
M-5606-S	944-2274-6	6" TIP
M-5626-S	944-2282-6	6" TIP BEVEL
M-5609-S	944-2274-9	9" TIP
M-5629-S	944-2282-9	9" TIP BEVEL
M-5610-S	944-2274-1	10" TIP
M-5612-S		12" TIP
M-5622-S	944-2282-1	12" TIP BEVEL (Stitch)
M-18594-S	944-2507	13" TIP
M-18596-S	944-2516-0	13" TIP G/S
M-171228-S		1"
M-5646-S	944-2275-2	2"
M-5613-S	944-2275-3	3"
M-5614-S	944-2275-4	4"
M-5615-S	944-2275-5	5"
M-5616-S	944-2275-6	6"
M-5636-S	944-2283-6	6" BEVEL
M-5618-S	944-2275-8	8"
M-5638-S	944-2283-8	8" BEVEL
M-5619-S	944-2275-9	9"
M-5639-S	944-2283-9	9" BEVEL
M-5620-S	944-2275-1	10"
M-5621-S	944-2275	12"
M-5623-S	944-2283-12	12" BEVEL (Stitch)
M-18595-S	944-2508	13"
M-18593-S	944-2517-0	13" G/S



# SCORE RINGS 38" & 50"

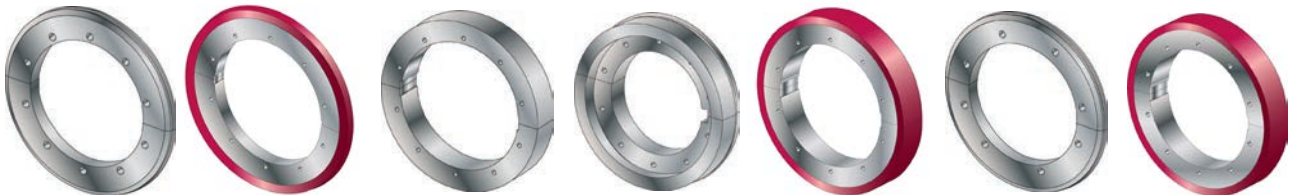
## MALE & FEMALE

### SCORE RINGS - MODEL 704-ZLR-ZLC - 50"



PART #	CR-35151	CR-35435	CR-4136-H	CR-35043	CR-36331	CR-35210	CR-35243
OEM #	ZLR-1050	ZLR-51046	ZLR-51066	ZLR-1041	ZLR-51065	ZLR-1049	ZLR-51051
DESCRIPTION	MALE PRIMARY	FEMALE PRIMARY	FEMALE GLUE CRUSHER	MALE GLUE CRUSHER	FEMALE UPPER DRIVE CRUSHER	MALE SECONDARY	FEMALE SECONDARY

### SCORE RINGS - MODEL 701- 707-ZLA-ZLB - 38"

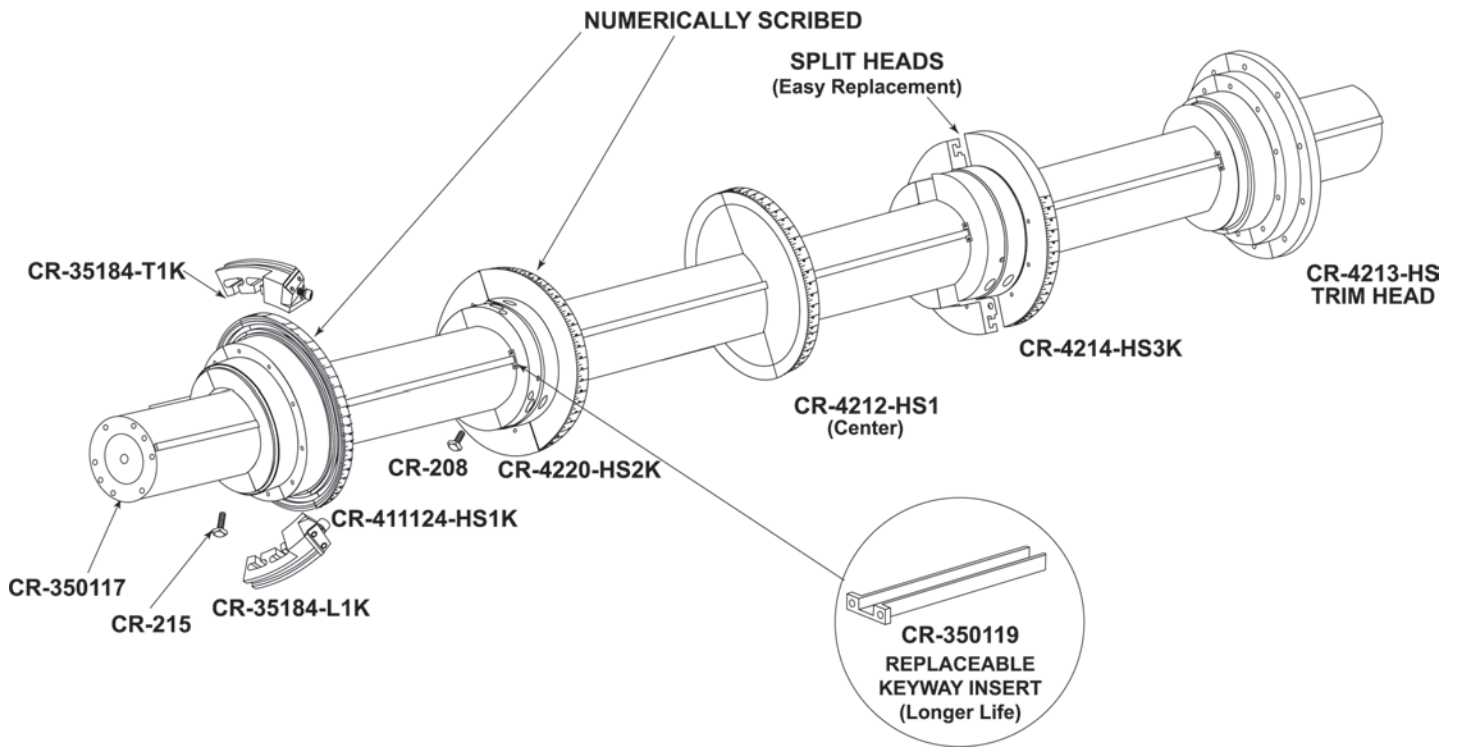


PART #	CR-35042	CR-35315	CR-35404	CR-4522-H	CR-35740	CR-35214	CR-35572
OEM #	701-1121	701-51005	701-51028	701-1122	701-51029	701-1034	701-51000
DESCRIPTION	MALE PRIMARY	FEMALE PRIMARY	FEMALE GLUE CRUSHER (2" WIDE)	MALE GLUE CRUSHER (2" WIDE)	FEMALE	MALE SECONDARY	FEMALE SECONDARY

### SCORE RINGS - MODEL ZLM-ZLG - 38"



PART #	CR-35227	CR-35465	CR-35464	CR-4123-H	CR-35112	CR-35653
OEM #	ZLG-9260	ZLG-9019	ZLG-5340	ZLG-9018	ZLG-5421	ZLG-59351 ZLG-6089
DESCRIPTION	MALE PRIMARY	FEMALE PRIMARY	FEMALE GLUE CRUSHER (2" WIDE)	MALE GLUE CRUSHER (2" WIDE)	MALE SECONDARY	FEMALE SECONDARY

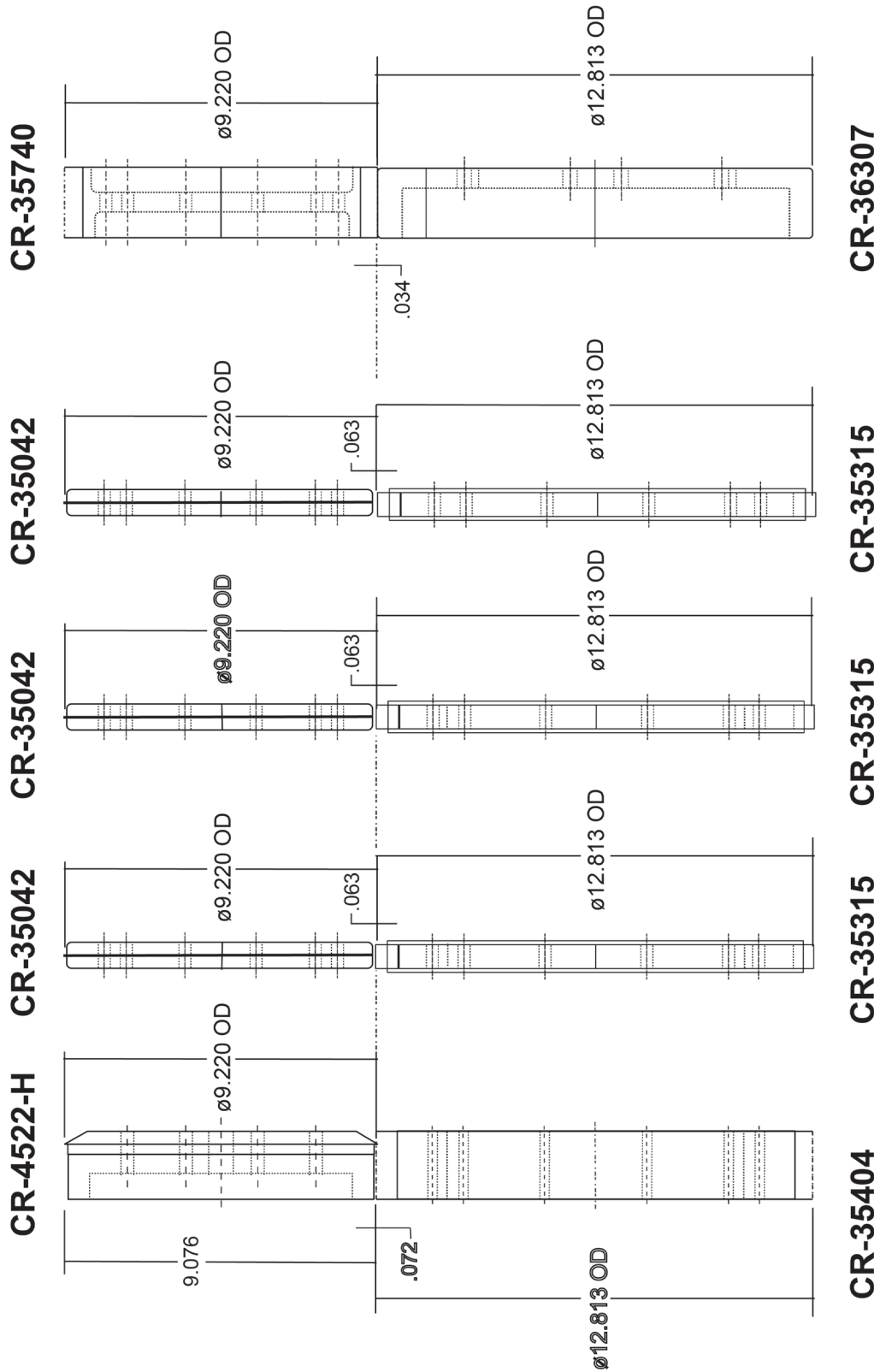


PART #	DESCRIPTION
CR-4212-HS1	Center
CR-4214-HS3K	Includes replaceable keyway insert
CR-4220-HS2K	Includes replaceable keyway insert
CR-411124-HS1K	Stitch Head 2" Stitch Blocks includes replaceable keyway insert
CR-411124-HS3K	Stitch Head 3" Stitch Blocks includes replaceable keyway insert
CR-4213-HS	Upper Slitter Head
CR-35184-T1K	2" Stitch Block
CR-35184-L1K	2" Stitch Block
CR-350119-1	Key Shaft (.630") 2 pieces required
CR-215	2 1/2" T-Bolt

# SCORES FOR 701 - 707 -ZLA- ZLB & PRIME 38" FLEXO

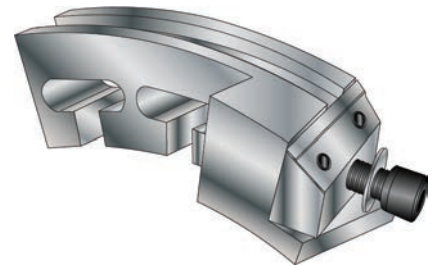
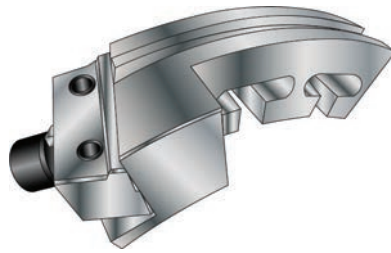


## SCORES FOR S (701, 707. ZLA, ZLB. & PRIME 38" FLEXO)

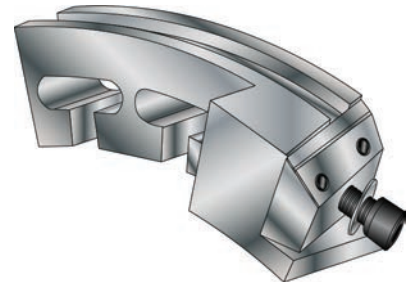
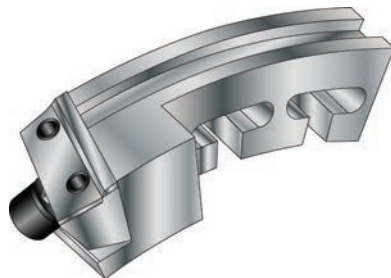




# STITCH BLOCK ASSEMBLIES STITCH TAB KNIVES

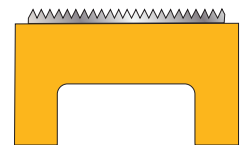
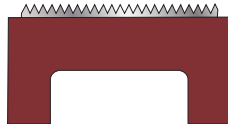


<b>PART #</b>	<b>CR-35183-L2K</b>	<b>CR-35183-T2K</b>
<b>MACHINE</b>	38"	38"
<b>DESCRIPTION</b>	Leading, 2" Wide	Trailing, 2" Wide



<b>PART #</b>	<b>CR-35184-L1K</b>	<b>CR-35184-T1K</b>
<b>MACHINE</b>	50"	50"
<b>DESCRIPTION</b>	Leading, 2" Wide	Trailing, 2" Wide

## STITCH TAB KNIVES FOR SOFT CUT ANVIL SYSTEM



### 1-5/8" FOR URETHANE ANVIL

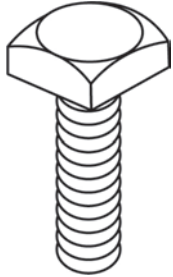
<b>PART #</b>	<b>P-1886-CB</b>	<b>P-1887-CB</b>	<b>PB-1888-CB</b>	<b>PB-1889-CB</b>
<b>DESCRIPTION</b>	B FLUTE TAB KNIFE (GREEN)	C FLUTE TAB KNIFE (RED)	BC FLUTE TAB KNIFE (BLACK)	AC FLUTE TAB KNIFE (YELLOW)
<b>SIZE</b>	.800" HT	.875" HT	.975" HT	1.050" HT

### 2" FOR URETHANE ANVIL

<b>PART #</b>	<b>P-531-CB</b>	<b>P-532-CB</b>	<b>PB-533-CB</b>	<b>PB-534-CB</b>
<b>DESCRIPTION</b>	B FLUTE TAB KNIFE (GREEN)	C FLUTE TAB KNIFE (RED)	BC FLUTE TAB KNIFE (BLACK)	AC FLUTE TAB KNIFE (YELLOW)
<b>SIZE</b>	.800" HT	.875" HT	.975" HT	1.050" HT



## T-SLOT BOLTS



PART #	SIZE OF THREAD	LENGTH	HEAD DIAMETER
CR-200	3/8 - 16	15/16"	13/16 X 13/16 X 1/4"
CR-203	3/8 - 16	1 1/8"	13/16 X 13/16 X 1/4"
CR-208	3/8 - 16	1 5/8"	13/16 X 13/16 X 1/4"
CR-215	3/8 - 16	2 1/2"	13/16 X 13/16 X 1/4"
CR-216	3/8 - 16	1 1/4"	7/8 X 7/8 X 1/4"
CR-217	3/8 - 16	3 1/2"	13/16 X 13/16 X 1/4"

## FLANGE NUTS



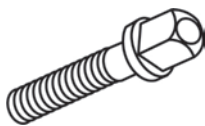
PART #	DESCRIPTION	THREADS	WRENCH SIZE
CR-315	Extra Heavy Flange	3/8 - 16	11/16
CR-317	Standard Flange	3/8 - 16	9/16

## HEX NUTS



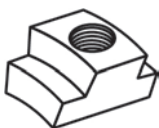
PART #	DESCRIPTION	THREADS	WRENCH SIZE
CR-312	Extra Heavy Hex Nut	1/2-13	7/8
CR-318	Extra Heavy Hex Nut	3/8 - 16	11/16

## COLLAR SCREWS



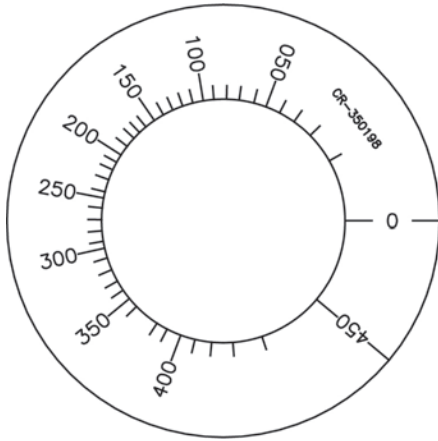
PART #	SIZE OF THREAD	LENGTH	HEAD DIAMETER
CR-400	3/8 - 16	1 3/4"	3/8 X 3/8"
CR-405	3/8 - 16	2"	3/8 X 3/8"

## T-NUTS

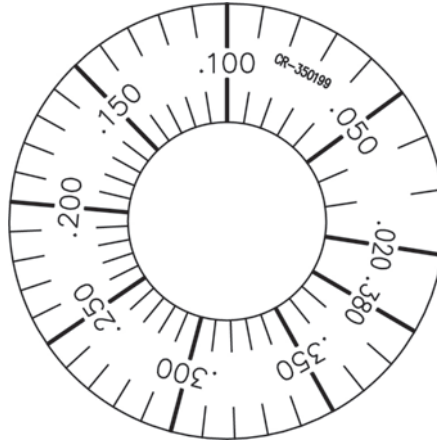


PART #	OEM #	LENGTH
TN-6	P-216	1/2 - 13
TN-7		3/8 - 16
TN-8		1/2 - 13
TN-9		12MM

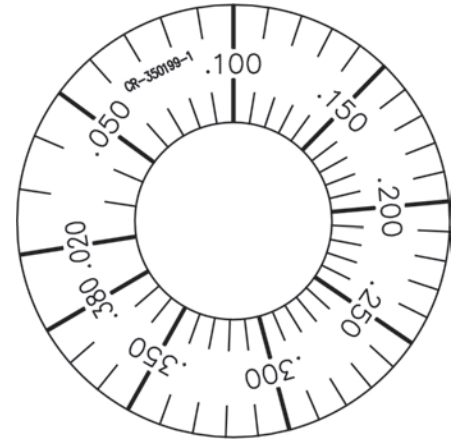
D 521 CR



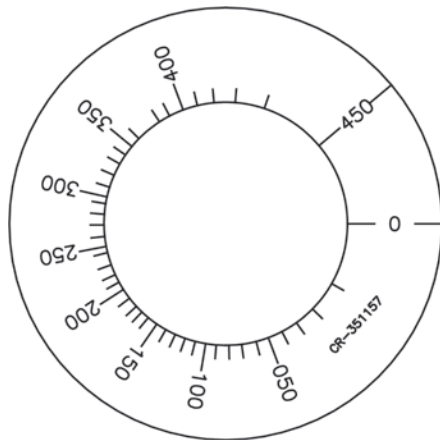
CR-350198



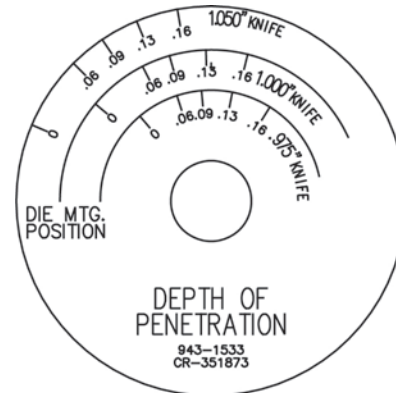
CR-350199



CR-350199-1



CR-351157

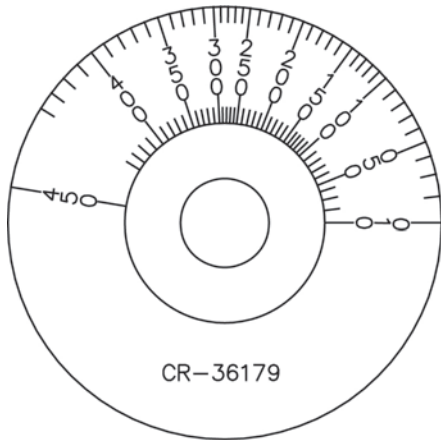


CR-351873

CR PART #	OEM PART #	DESCRIPTION
CR-350198	943-795	INDICATOR DIAL, Feed Rolls, Pull Rolls(Print & Diecut), Slot Heads, Primary Scores
CR-350199	943-861/N-861	INDICATOR DIAL, Impression Cylinder
CR-350199-1	943-1554	INDICATOR DIAL, Impression Cylinder for 1-1 ratio printer
CR-351157	943-794	INDICATOR DIAL, Secondary Score
CR-351873	943-1533	NAMEPLATER, Die Cut Drum

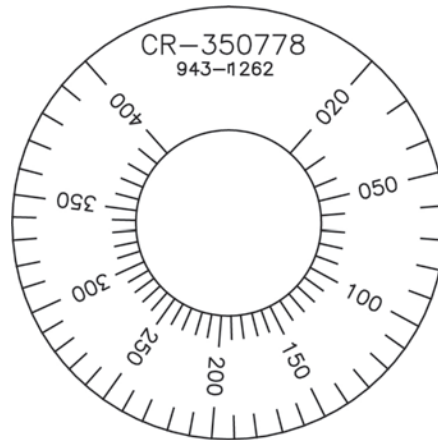
# DIALS

## MODELS 38" ZLM & 38" PRIME



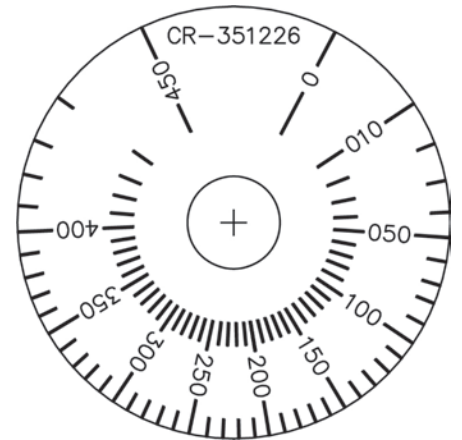
CR-36179

CR-350198



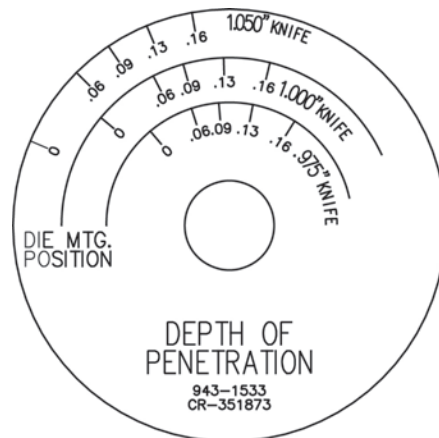
CR-350778  
943-11262

CR-350778



CR-351226

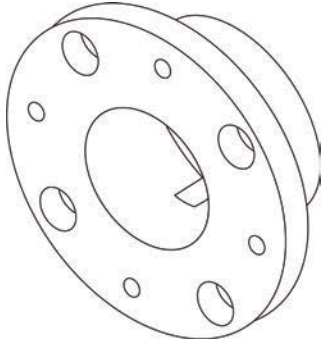
CR-351226



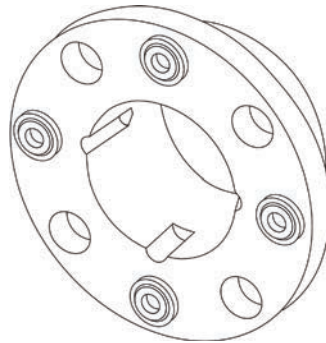
CR-351873

CR PART #	OEM PART #	DESCRIPTION
CR-36179	943-1261	INDICATOR DIAL, Feed Rolls, Pull Rolls, Secondary Scores
CR-350778	943-1262	INDICATOR DIAL, Impression Cylinder
CR-351226	943-01274	INDICATOR DIAL, Slot Heads, Primary Score
CR-351873	943-1533	NAMEPLATER, Die Cut Drum

 **FLEXIBLE DISC COUPLING**



**CR-352867**



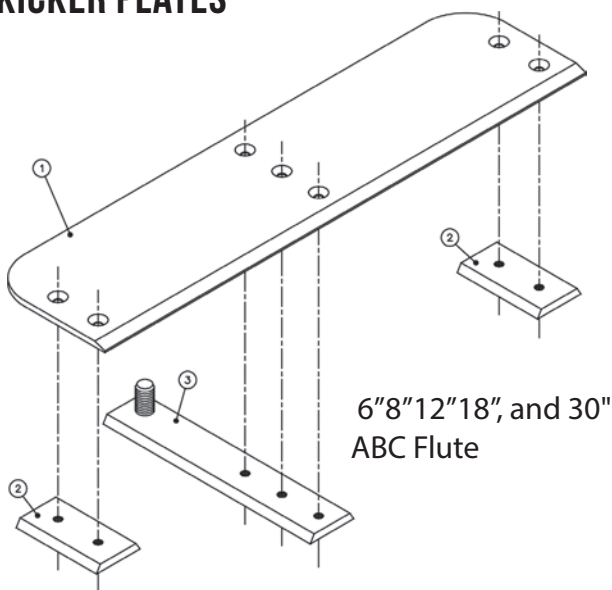
**CR-352868**

**Machine: ZLM**

Assembly comes complete with 262-AMRSHIMS and hardware. 262-BMR coupling, Line Shaft, includes coupling only.



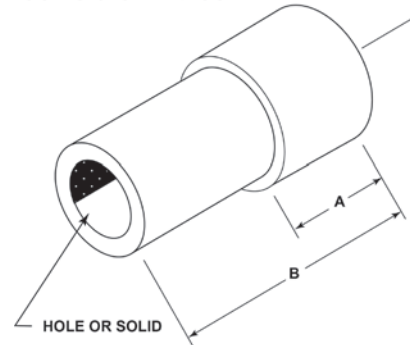
**DPB - PARTITION SLOTTED  
KICKER PLATES**



ITEM	PART NUMBER	DESCRIPTION	QTY.
1	CR-908-KP18B	KICKER PLATE	1
2	CR-917-MB1	MOUNTING BAR	2
3	CR-908-MB	MOUNTING BAR	1

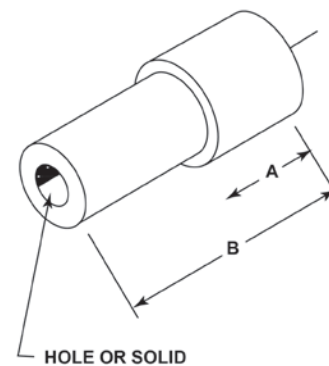
 **STITCH BLOCK PINS FOR GANG-SLOT HEADS**

**50" S & S FLEXOS**



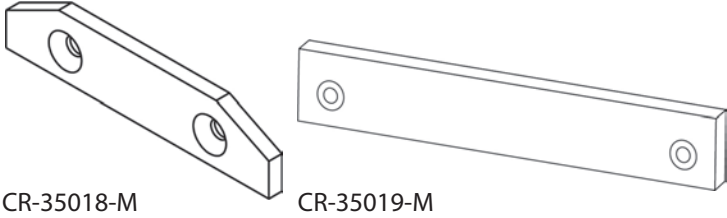
CR PART #	A	B	HOLE
CR-35593	.500	1.250	YES
CR-35278	.525	1.250	YES
CR-35145	.156	1.000	NO
CR-35139	.240	1.000	YES
CR-35693	.156	1.000	YES

**38" S & S FLEXOS**



CR PART #	A	B	HOLE
CR-35044	.375	.875	NO
CR-35046	.562	1.250	YES
CR-35138	.156	.750	NO
CR-35140	.156	.625	YES
CR-35364	.240	.750	YES
CR-35715	.406	1.000	YES

## JIFFY SHOE KIT



CR-35018-M

CR-35019-M

CR PART #	OEM #	DESCRIPTION
CR-35018-M	ZLR-5149	JIFFY SHOE (SHORT)
CR-35019-M	ZLG-5314	JIFFY SHOE (LONG)
*CR-36514-B	-	SHIM
**CR-35149	-	SCREW(Jiffy Shoe Mounting Screws)

\* CR-36514-B Kit includes (10) each of all the thicknesses.  
 \*\* Used to mount 35018-M & 35019-M

## SHIM KITS (COLOR SHIMS) Not Pictured

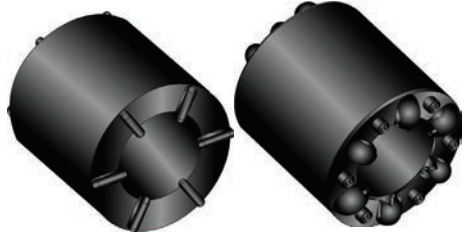
CR PART #	DESCRIPTION
CR-36514-A	SHIM KIT
CR-36514-A1	SHIM KIT
CR-36514-B	SHIM KIT



## BRASS SCREW

CR PART #	DESCRIPTION
CR-35149	BRASS SCREW

## OUTER RACES (ROLLER RACES)



PART NUMBER	CR-36398	CR-36376
OEM #	ZLR-1342	701-2014
MACHINE	50"	38"

## LIFT SCREWS



FLUTE	GAP	CR PART #	FLIGHTS
"A"	1/2"	CR-351172-L	8 FLIGHTS
		CR-351172-R	
"B"	5/16"	CR-351299-L	9 FLIGHTS
		CR-351299-R	
"C"	3/8"	CR-351171-L	10 FLIGHTS
		CR-351171-R	
DOUBLE WALL	3/4"	CR-351208-L	7 FLIGHTS
		CR-351208-R	
UNIVERSAL	3/4"	CR-352705-L	3 FLIGHTS
		CR-352705-R	



# EXPERTISE YOU CAN COUNT ON



**KIM GARRETT**

[kim.garrett@corrugatedparts.com](mailto:kim.garrett@corrugatedparts.com)

**LINZIE ONEY**

[linzie@corrugatedparts.com](mailto:linzie@corrugatedparts.com)

**JOHN SUTTON**

[john.sutton@corrugatedparts.com](mailto:john.sutton@corrugatedparts.com)

**BRIAN POWELL**

[brian.powell@corrugatedparts.com](mailto:brian.powell@corrugatedparts.com)

**JESSE JORGENSEN**

[jesse.jorgensen@corrugatedparts.com](mailto:jesse.jorgensen@corrugatedparts.com)

**AARON STANLEY**

[aaron.stanley@corrugatedparts.com](mailto:aaron.stanley@corrugatedparts.com)



**CORRUGATED  
REPLACEMENTS, INC.**  
PRECISION PARTS. PRECISION MANUFACTURING.

**24/7**  
EMERGENCY SERVICE

(800)969-0881

161 Lee Industrial Dr.  
Blairsville, GA 30512

[SALES@CORRUGATEDPARTS.COM](mailto:SALES@CORRUGATEDPARTS.COM)



# CORRUGATED VENDING SOLUTIONS



## BENEFITS:

- **Increase Productivity.** 24/7 access and availability of your inventory and other components, products are immediately available for employees, so they can get what they need and get back to work, doing away with downtime.
- **Manage Inventory.** Our solution puts the items your company needs at your fingertips. As a result, rather than relying on the traditional min/max-based procurement or ordering on a demand-basis. Your company's stock is ordered only when it is consumed or on other pre-agreed terms.
- **Streamline Ordering Process.** With Corrugated Replacements vending solution, you can avoid traditional purchase orders and will receive a consolidated invoice for each restocking visit, almost eliminating overhead costs and administrative paperwork!
- **Save Time.** Let's hear it for no more monitoring stock levels, dealing with inventory control, or accounts and receiving activities.



CORRUGATED  
REPLACEMENTS, INC.

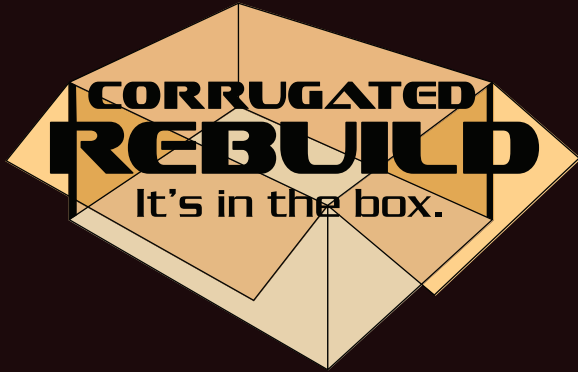


**Tired of running out of the parts you need? Give us a call today!**

**(800)969-0881 | [corrugatedparts.com](http://corrugatedparts.com)**



# REBUILD



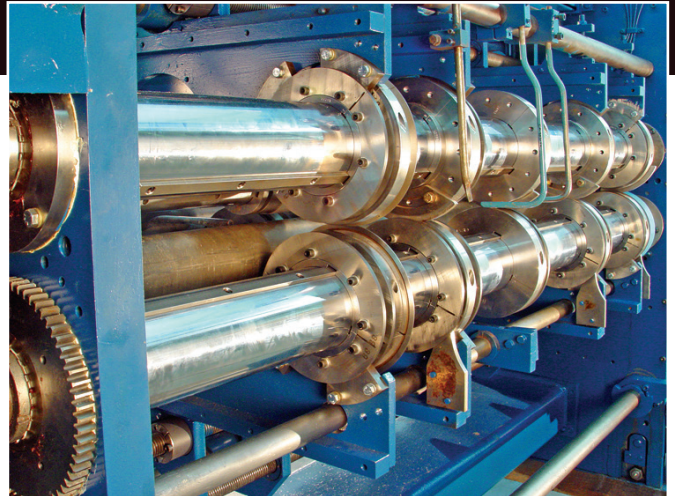
## CORRUGATED REBUILD...

### FROM START TO FINISH

- Consultation by a team of dedicated, experienced field service technicians
- Provide detailed comprehensive parts data and quote
- Work side-by-side with On Site Training
- More than just a company that rebuilds.
- More than Just parts.
- A commitment from start to finish.
- Satisfaction Guaranteed!



**BEFORE**



**AFTER**

Restore quality, increase production, save money. Call Corrugated Rebuild TODAY!

706.781.4520 | Fax: 706.781.6649  
linzie.oney@corrugatedrparts.com